

FIST-UNI4 Fibre Optic Distributor



The complete solution by TE Connectivity and Sichert to set up a cost-efficient fibre optic network.

- Accommodates 48 microtubes (Ø7 mm)
- FIST modular fibre optic management system
- Telescopic rails for optimal access to FIST
- UNI 4 cabinet only 442 mm wide

Included in delivery:

Cabinet UNI 4/998/400

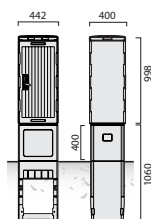
- Fibreglass-reinforced polycarbonate
- Outer housing parts can be replaced without interruption to service
- No condensation
- Textured surface prevents unwanted posters
- RAL 7038 anti-graffiti and -billposting varnish

Features

- Single locking system with 3-point locking mechanism, swivel lever (GDZn) for half profile cylinders
- Telescopic frame with fibre guide for the TE Connectivity FIST modular fibre optic management system
- Clip rails and rack for the neat accommodation of microtubes with 48x clip Ø7 mm
- Base plate, open and split, with base insert (see table)
- Cable strain relief
- Door stay and A5 document holder

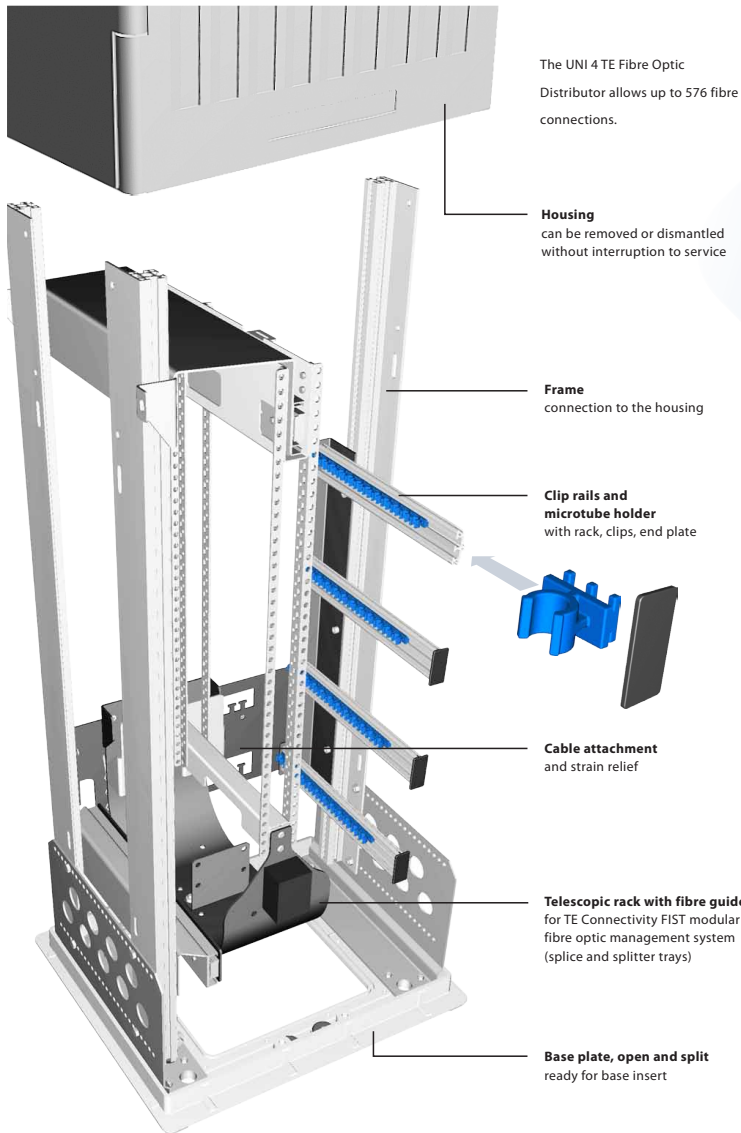
Base UNI 4/400

- Fibreglass-reinforced polycarbonate
- With front access panel
- Upper base part coated with RAL 7038 anti-graffiti and -billposting varnish



Complete cabinet and plinth	Si no.
FIST-UNI4-PE-01	54.0229.00.00
FIST-UNI4-GABO-01	54.0228.00.00
FIST-UNI4-HAUF-01	54.0227.00.00

FIST-UNI4 Fibre Optic Distributor



FIST-UNI4 Fibre Optic Distributor. Frame.

The UNI 4 TE Fibre Optic Distributor allows up to 576 fibre connections.

Housing can be removed or dismantled without interruption to service

Frame connection to the housing

Clip rails and microtube holder with rack, clips, end plate

Cable attachment and strain relief

Telescopic rack with fibre guide for TE Connectivity FIST modular fibre optic management system (splice and splitter trays)

Base plate, open and split ready for base insert

Different base plates with different microduct inlet concepts, all of which can accommodate up to 48 microtubes (Ø7 mm).

Custom configurations on request.

Base insert (PE foam) with 48x clip Ø7 mm

2x cable inlet for cables Ø12 up to 25 mm

Loop inlet (oval 75x49 mm) or **2x cable inlet** for cables Ø12 up to 25 mm

48x inlet microtube for microtubes Ø7 mm (without strain relief)

Base insert (Gabocom) with 48x clip Ø7 mm

1x Icotek KEL-E5 cable entry system (strain relief as per DIN EN 50262), separable for loop inlet with 2x cable entry grommet (KT 11) for cables Ø11 up to 12 mm and 3x blind grommet (BTK) where cable entry grommets can be fitted at a later stage for cables Ø2 up to 17 mm

2x M25 cable gland for cables Ø9 to 18 mm

2x DN50 cable bushing for Gabocom divisible sealing elements (EZA-t 50 / 24x7, not included)

Aluminium base insert with seal and mounting material

Base insert (Hauff-Technik) with 48x clip Ø7 mm

1x Icotek KEL-E5 cable entry system (strain relief as per DIN EN 50262), separable for loop inlet with 2x cable entry grommet (KT 11) for cables Ø11 to 12 mm and 3x blind grommet (BTK) where cable entry grommets can be fitted at a later stage for cables Ø2 up to 17 mm

2x M25 cable gland for cables Ø9 up to 18 mm

Aluminium base insert with seal and mounting material

2x cable inlet (Hauff-Technik) with rubber sealing system, each for 24x microtubes Ø7 mm (75 N tensile strenght per microtube)

FIST-UNI4 Fibre Optic Distributor. Base insert.

Product description

FIST-UNI4, FIST-UNI8, FIST-UNI11, FIST-UNI15 and FIST-SICAB18 are above-ground fibre optic distributors that were especially developed for the FTTH market. These cabinets can be used in various network levels as well as various network architectures. For example, they can be used as an easily accessible distribution point in passive optical networks (e.g. GPON) as a cost-effective alternative to fibre optic sleeves in connection with shafts. Various technologies are used for the cable inlets and seals; the flexible configuration is essential to be able to cater to the local conditions.

The internal structure of the systems is based on the well-known FIST technology and was adjusted to the requirements for above-ground cabinets and the FTTH market. A wide variety of optical sub-assemblies, such as splitters and WDM systems, can of course be integrated. Mounting has been optimised and corresponds as much as possible to the mounting of a fibre sleeve, which means that minimal training is required for installers.



Glasfasernetzverteiler (UNI 4)
für Mikrorohrsysteme

Product description



1.1 Cabinet

FIST-UNI4, FIST-UNI8, FIST-UNI11, FIST-UNI15 and FIST-SICAB18 are above-ground fibre optic distributors that were especially developed for the FTTH market. These cabinets can be used in various network levels as well as in various network architectures. For example, they can be used as an easily accessible distribution point in passive optical networks (e.g. GPON) and as a cost-effective alternative to fibre optic sleeves in connection with shafts. Various technologies are used for the cable inlets and seals; the flexible configuration is essential to be able to cater to the local conditions.

The internal structure of the systems is based on the well-known FIST technology and was adjusted to the requirements for above-ground cabinets and the FTTH market. A wide variety of optical sub-assemblies, such as splitters and WDM systems, can be integrated of course. Mounting has been optimised and corresponds as much as possible to the mounting of a FIST sleeve, which means that minimal training is required for installers.

1.1 Cabinet

1.1.1 Dimensions

Size	UNI4	UNI8*	UNI11	UNI15	SICAB18
Width	442	754	1131	1511	2000
Depth	310	400	400	400	500
Height	998	998	998	1081	1200
Base (above-ground)	400	400	400	400	400
Base (ground)	660	660	660	660	660

*UNI8 is also known as KVz82 (Deutsche Telekom designation)

1.1.2 Features

- Cabinet
 - Single-wall construction with polycarbonate outer shell
 - Double-wall construction for SICAB, which is suitable for the integration of active components
 - Weather-proof
 - No formation of condensation
 - Protection class IP54
 - Mechanical resistance class IK10
 - Low flammability and self-extinguishing
 - Colour RAL7038
 - Anti-graffiti and anti-bill posting effect
- Mounting and service
 - The entire outer housing can be removed without interruption to service
 - Fully recyclable sorted according to material
 - Three different sealing systems
 - Single locking system / Double locking system available

FIST-UNI4

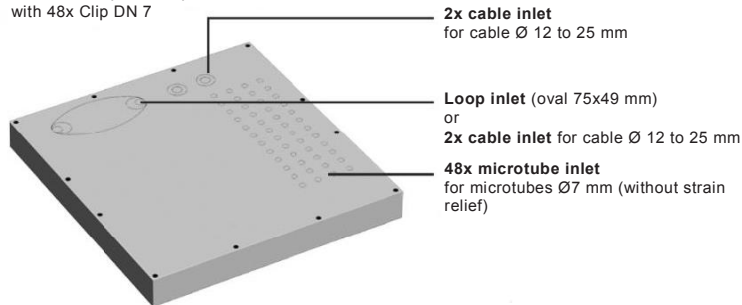


2.1 Technical data

- 2x 64 UMS profile grid units
 - 64 SE trays (12x 250 μ = 768 fibres)
 - 128 SC trays (2x 250 μ = 256 fibres)
 - 128 SC HighDensity trays (12x 250 μ = 1536 fibres)
- A maximum of 120 fibres can be passed through to the other splice side.

2.2 Seals / Cable inlets

Base insert (PE foam)
with 48x Clip DN 7



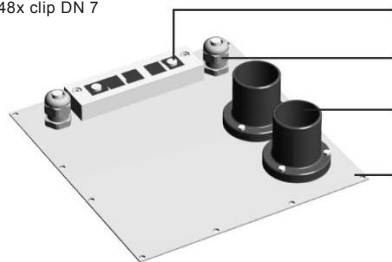
2x cable inlet
for cable \varnothing 12 to 25 mm

Loop inlet (oval 75x49 mm)
or
2x cable inlet for cable \varnothing 12 to 25 mm

48x microtube inlet
for microtubes \varnothing 7 mm (without strain relief)

1x Icotek KEL-E5 cable entry system
(strain relief as per DIN EN 50262), separable for loop with 2x cable entry grommet (KT 11) for cables \varnothing 11 to 12 mm and 3x blind grommet (BKT), where cable entry grommets can be fitted at a later stage for cables \varnothing 2 up to 17 mm

Base Insert (Gabocom) with
48x clip DN 7



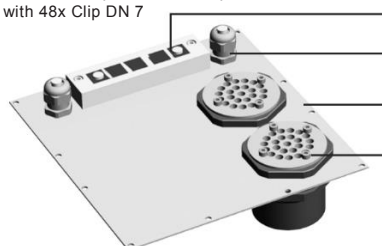
2x M25 cable gland
for cables \varnothing 9 to 18 mm

2x DN50 cable bushing
for Gabocom divisible sealing elements (EZA-t 50 / 24x7, not included)

Aluminium base insert
with seal and mounting material

1x Icotek KEL-E5 cable entry system
(strain relief as per DIN EN 50262), separable for loop with 2x cable entry grommet (KT11) for cables \varnothing 11 to 12 mm and 3x blind grommet (BKT), where cable entry grommets can be fitted at a later stage for cables \varnothing 2 up to 17 mm

Base insert (Hauff-Technik)
with 48x Clip DN 7



2x M25 cable gland
for cables \varnothing 9 to 18 mm

Aluminium base insert
with seal and mounting material

2x cable inlet (Hauff-Technik)
with rubber sealing system, each for 24x microtubes \varnothing 7 mm (75 N tensile strength per microtube)

Description of features

Above-ground distribution and connection point for microtube systems or house connection cable that can be laid directly. The housing must have a mechanical resistance class of a minimum of IK10, must have low flammability and be self-extinguishing in accordance with UL94 and must meet the dust and water resistance standard of IP54. In the event of damage, it must be possible to remove and replace all housing parts without interruption to service. It must be ensured that there is space for up to 4 feed cables and a minimum of 48 microtube systems and/or 48 house connection cables that can be laid in the ground. Tube systems and ground cables can be mixed and introduced gradually in various thicknesses and organised and secured via a simple clip system. A modular system must be selected for the splicing system. In multi-fibre management (SC HighDensity technology), it must be able to store up to 1536 fibres and in single fibre management (SC technology), it must be able to store up to 256 fibres. It must be possible to add further optical components at a later stage.

The splice area, as well as the tube and cable area cannot protrude more than 300 mm onto the footpath for service work.

BRAND: TE Connectivity / **FIST-UNI4-xx-01** / or comparable

2.4 Scope of delivery

- **000000-000**_UNI4 with Foam_Seal_FIST-UNI4-PE-01
 - UNI4 cabinet including base
 - Splice rack preinstalled (without tube clips)
 - PE foam sealing system
 - FAS block
 - 2 tray covers with loose tube holders
 - Circuit diagram pocket
 - Installation instructions

- **000000-000**_UNI4 with Gabocom_Seal_FIST-UNI4-GA-01
 - UNI4 cabinet including base
 - Splice rack preinstalled (without tube clips)
 - Gabocom sealing system
 - FAS block
 - 2 tray covers with loose tube holders
 - Circuit diagram pocket
 - Installation instructions

- **000000-000**_UNI4 with UNI4 with HAUFF_Seal_FIST-UNI4-HA-01
 - UNI4 cabinet including base
 - Splice rack preinstalled (without tube clips)
 - HAUFF sealing system
 - FAS block
 - 2 tray covers with loose tube holders
 - Circuit diagram pocket
 - Installation instructions

2.5 Required accessories

- Splice trays FIST-SOSA2-X XX-X

Abbreviations / Explanations

The FIST sub-assembly racks are available in either 15" or 19".
The sub-assemblies fit seamlessly above one another when the mounting rails are executed in the ETSI grid (vertical grid).

Conversion HU <-> ETSI grid units:

- 1HU = 2 ETSI grid units
- 2HU = 4 ETSI grid units
- 3HU = 5 ETSI grid units

UMS allocation per sub-assembly:

- 15" = 36UMS units
- 19" = 48UMS units

SOSA 8SC = 8x SC trays on 8UMS units

SOSA 4SE = 4x SE trays on 8UMS units

Accessories

All of the important components as well as the consumables for the mounting of the described product are to be found in the Accessories chapter.



Splice trays

The splice modules are snapped into the UMD profile of the splice unit.

Please refer to the respective data sheet for the splice modules as well as the splitter trays or optical components such as WDM trays.



Fibre optic earthing kit

The aluminium coating of the fibre optic cable is connected to the earthing point in the housing by the roller spring kit.

Material no.	Short description	Company part no.
E94331-000	Gfk-EB 2/E E&MMS fibre optic earthing kit 2/E	GFK-EB2/E-DE19

Packing unit: 10 pieces

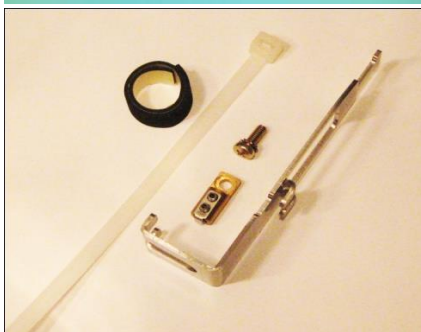


Hook and loop fastener

The hook and loop fastener is used for bundling the cables clearly.

Material no.	Short description	Company part no.
942252-000	Hook and loop fastener	FISTV-E7187-6316

Packing unit: 1 25 m roll



Strain relief for feed cables / Uni4 and Uni8 tubes

Additional clamp for cables with non-metallic/metallic central elements or microtubes with gas/water stop up to Ø12mm

Material no.	Short description	Company part no.
CZ4352-000	Cable clamp for the feed cable or tube system	ENLI-CAB-CTT-01

Packing unit: 1 piece



Cable clamp for outgoing Uni4 and Uni8 cables that can be laid in the ground

Cable clamp for cables with aramid yarn for attachment to the clip rails

Material no.	Description	Company part no.
CZ4350-000	Cable clamp for clip rail systems for cables Ø 2 - 6.5 mm	ENLI-CAB-CC-7mm-12

Packing unit: 12 pieces

Accessories



Microtube clips Uni4 and Uni8

Tube clips in various tube diameters

Material no.	Description	Company part no.
CZ4353-000	Tube clip Ø 5 mm for clip rails	ENLI-Clip-5mm-50
CZ4355-000	Tube clip Ø 7 mm for clip rails	ENLI-Clip-7mm-50
CZ4357-000	Tube clip Ø 10 mm for clip rails	ENLI-Clip-10mm-50
CZ4360-000	Tube clip Ø 12 mm for clip rails	ENLI-Clip-12mm-50

Packing unit: 50 pieces



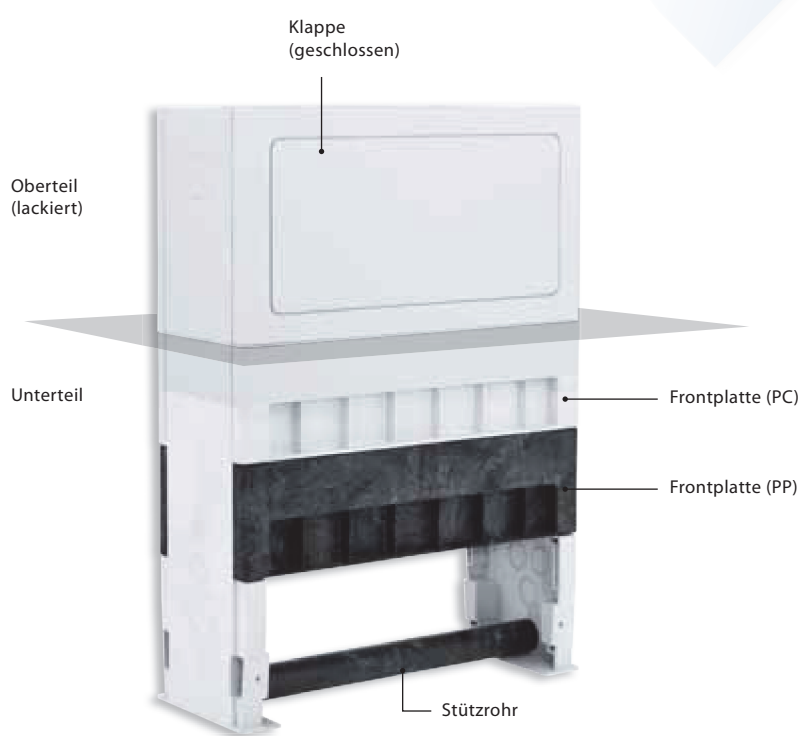
Cover for splice trays

For UNI 8 FIST

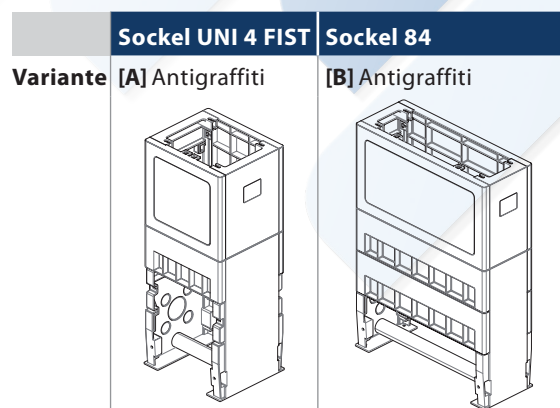
Material no.	Description	Company part no.
	Cover for splice trays	

Sockel - Ausstattung

- Sockel mit geschlossener Klappe
- Oberteil mit Antigriffilackierung RAL 7038 mit Antiplakatiereffekt
- 2 oder 4 Frontplatten am Sockel-Unterteil
- Sollbruchelemente zwischen Ober- und Unterteil
- Mit Befestigungssatz für Gehäuse



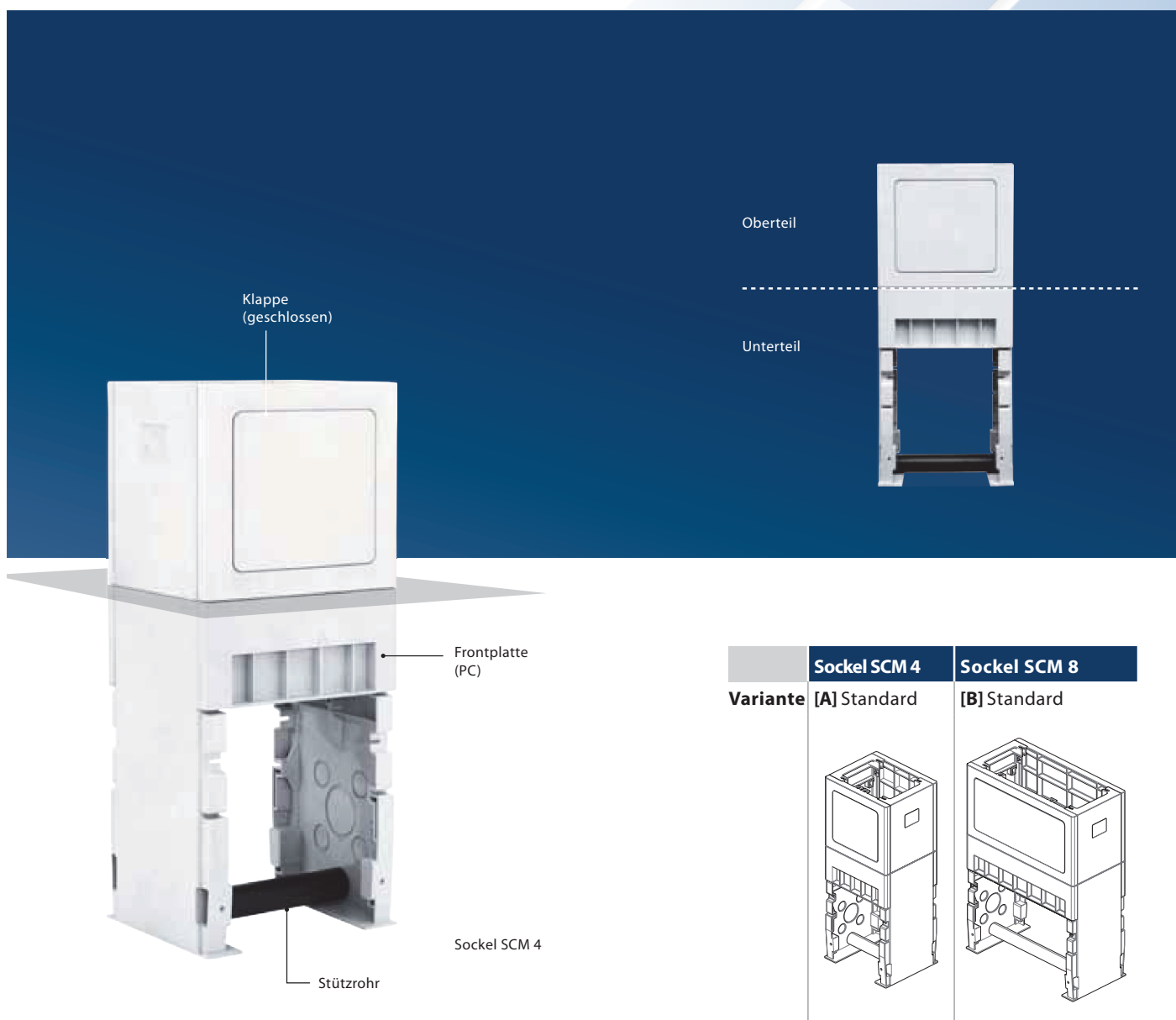
Sockel 84 (59.2358.00.00) mit lackiertem Sockel-Oberteil



[]	für Gehäuse	mit Klappe		Frontplatte		Stützrohr	Kabel- abfangung im Oberteil	Oberteil Antigriffiti RAL 7038	Si-Nr.
		geschlossen	mit Belüftung	2x PC	2x PP				
[A]	UNI 4 FIST xx-01	•	–	•	–	•	–	•	55.0002.00.00A
[B]	Gf-NVt 10gr, UNI 8 FIST xx-01	•	–	•	•	•	–	•	59.2358.00.00

Sockel - Ausstattung

- Sockel mit Klappe(n) geschlossen
- 2 Frontplatten am Sockel-Unterteil
- Sockel SCM mit Zugentlastungsschiene im Sockel-Oberteil
- Sollbruchelemente zwischen Ober- und Unterteil
- Mit Befestigungssatz für Gehäuse



	Sockel SCM 4	Sockel SCM 8
Variante	[A] Standard	[B] Standard

[]	für Gehäuse	mit Klappe(n)		Frontplatte		Stützrohr	Kabel- abfangung im Oberteil	Oberteil Antigraffiti RAL 7038	Si-Nr.
		geschlossen	mit Belüftung	2x PC	2x PP				
[A]	R&M SCM 4	•	–	•	–	•	•	–	55.0012.00.00
[B]	R&M SCM 8	•	–	•	–	•	•	–	55.4009.00.00