

FIST™ Splice Sub-assembly kit with 4 slim element trays, each for holding up to 12 primary coated fibers, with Heat Shrink type splice holder

- Splice sub-assemblies consists of a wraparound groove plate holding the included splice organizer trays
- Groove plates are designed with slots for routing fiber to and from the organizer trays
- Loop-back facility allowing for single circuit uncut looped fiber storage on the splice tray
- Compliant with most splice types and independent of any optical fiber construction

Product Classification

Regional Availability	EMEA
Product Type	Fiber splice tray
Product Brand	FIST™
Product Series	FIST-SOSA2

General Specifications

Application	For use with BUDI fiber wall boxes For use with FIST fiber splice closures For use with FIST fiber splice panels
Color	Gray
Splice Tray Chip Type	Heat shrink
Splice Tray Construction	SLE (Slim element tray for up to 12 primary coated fibers)
Splice Tray Included, quantity	4
Splices per Tray, quantity	12
Used UMS Units, quantity	1

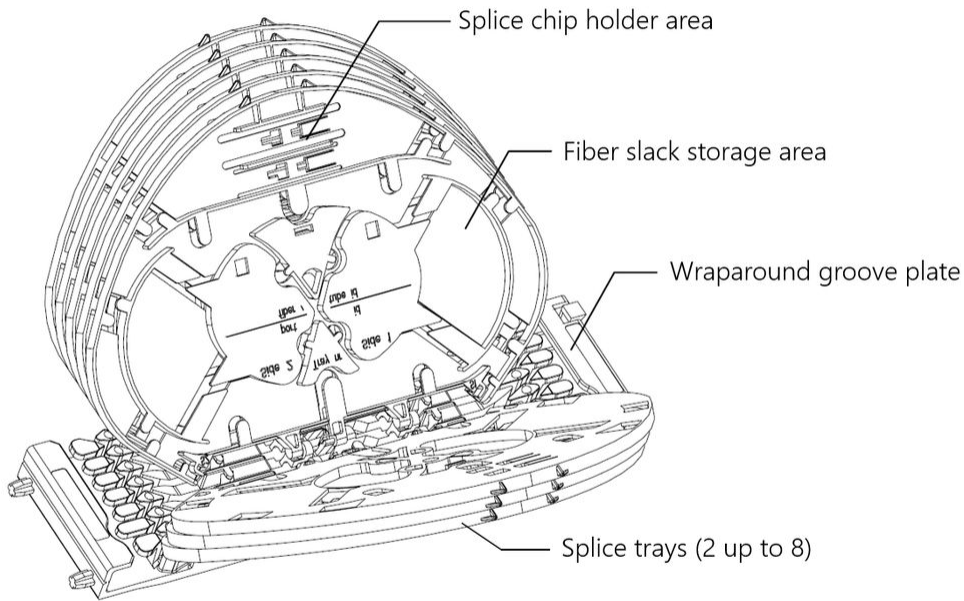
Dimensions

Height	4 mm 0.157 in
Width	105 mm 4.134 in
Fiber Storage Length, maximum	1200 mm for 250 µm fibers
Fiber Storage Length, minimum	650 mm 25.591 in
Length	152 mm 5.984 in
Splice Protector Length, maximum	47 mm 1.85 in
Splice Protector Length, minimum	43 mm 1.693 in
Splice Protector Diameter, maximum	2.6 mm 0.102 in

CU5583-000 | FIST-SOSA2-4SLE-S

Splice Protector Diameter, minimum 2.2 mm | 0.087 in

Dimension Drawing



Material Specifications

Material Type PBT | PET

Mechanical Specifications

Minimum Bend Radius, standard 20 mm | 0.787 in

Environmental Specifications

Storage Temperature -40 °C to +70 °C (-40 °F to +158 °F)

Relative Humidity 93%, non-condensing

CU5583-000 | FIST-SOSA2-4SLE-S

Environmental Space Indoor | Outdoor

Packaging and Weights

Packaging quantity 1

Packaging Type Bag | Carton

Weight, net 0.1 kg | 0.22 lb

Regulatory Compliance/Certifications

Agency	Classification
CHINA-ROHS	Below maximum concentration value
REACH-SVHC	Compliant as per SVHC revision on www.commscope.com/ProductCompliance
ROHS	Compliant



* Footnotes

Used UMS Units, quantity The overall used splice tray height is expressed in UMS units. One UMS unit equals 6 mm.