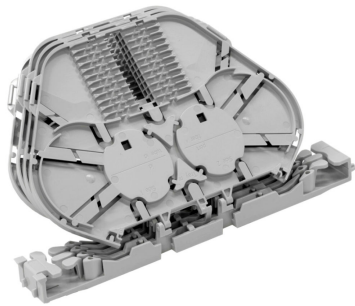


# CU5585-000 | FIST-SOSA2-4SLE-C



FIST™ Splice Sub-assembly kit with 4 slim element trays, each for holding up to 9 primary coated fibers, with Heat Shrink type splice holder and universal 1x8 splitter holder

- Splice sub-assemblies consists of a wraparound groove plate holding the included splice organizer trays
- Groove plates are designed with slots for routing fiber to and from the organizer trays
- Loop-back facility allowing for single circuit uncut looped fiber storage on the splice tray
- Compliant with most splice types and independent of any optical fiber construction

## Product Classification

<b>Regional Availability</b>	EMEA
<b>Product Type</b>	Fiber splice tray
<b>Product Brand</b>	FIST™
<b>Product Series</b>	FIST-SOSA2

## General Specifications

<b>Application</b>	For use with BUDI fiber wall boxes   For use with FIST fiber splice closures   For use with FIST fiber splice panels
<b>Color</b>	Gray
<b>Splice Tray Chip Type</b>	Heat shrink
<b>Splice Tray Construction</b>	SLE (Slim element tray for up to 12 primary coated fibers)
<b>Splice Tray Included, quantity</b>	4
<b>Splices per Tray, quantity</b>	9
<b>Used UMS Units, quantity</b>	1

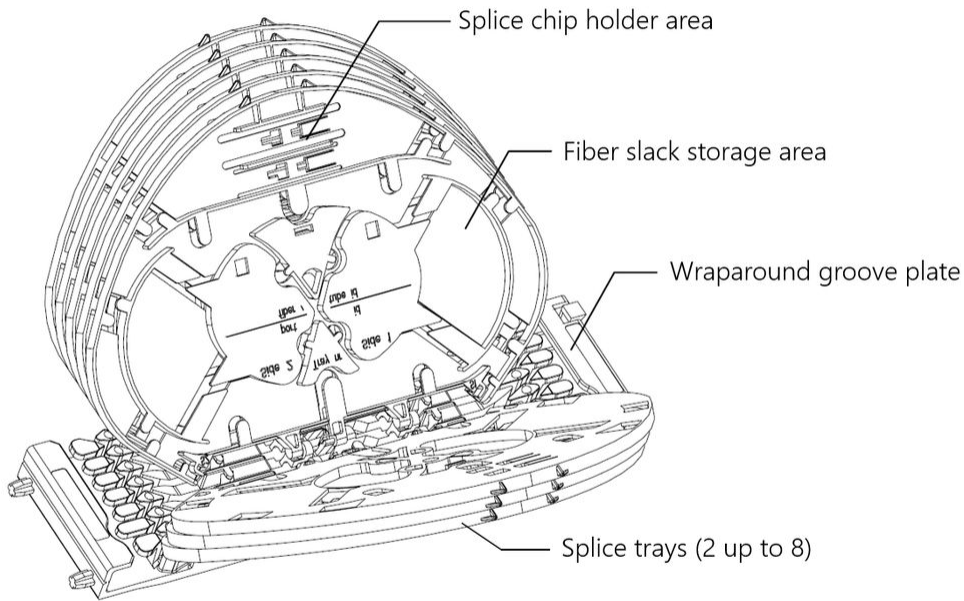
## Dimensions

<b>Height</b>	4 mm   0.157 in
<b>Width</b>	105 mm   4.134 in
<b>Fiber Storage Length, maximum</b>	1200 mm for 250 µm fibers
<b>Fiber Storage Length, minimum</b>	650 mm   25.591 in
<b>Length</b>	152 mm   5.984 in
<b>Splice Protector Length, maximum</b>	47 mm   1.85 in
<b>Splice Protector Length, minimum</b>	43 mm   1.693 in
<b>Splice Protector Diameter, maximum</b>	2.6 mm   0.102 in

# CU5585-000 | FIST-SOSA2-4SLE-C

**Splice Protector Diameter, minimum** 2.2 mm | 0.087 in

## Dimension Drawing



## Material Specifications

**Material Type** PBT | PET

## Mechanical Specifications

**Minimum Bend Radius, standard** 20 mm | 0.787 in

## Environmental Specifications

**Storage Temperature** -40 °C to +70 °C (-40 °F to +158 °F)

**Relative Humidity** 93%, non-condensing

# CU5585-000 | FIST-SOSA2-4SLE-C

---

**Environmental Space** Indoor | Outdoor

## Packaging and Weights

**Packaging quantity** 1

**Packaging Type** Bag | Carton

**Weight, net** 0.1 kg | 0.22 lb

## Regulatory Compliance/Certifications

Agency	Classification
CHINA-ROHS	Below maximum concentration value
REACH-SVHC	Compliant as per SVHC revision on <a href="http://www.commscope.com/ProductCompliance">www.commscope.com/ProductCompliance</a>
ROHS	Compliant



## \* Footnotes

**Used UMS Units, quantity** The overall used splice tray height is expressed in UMS units. One UMS unit equals 6 mm.