

LSA-PLUS® and LSA PROFIL® Modules

Individual Profile Rods and Rod Holders

FEATURES & BENEFITS

- Individual rods and rod holders may be ordered to construct a custom, modular frame
- Rod holders with a depth of 86mm are available: deeper profile frames are used when cable support elements and cable guides are used
- All profile holders accept 12mm diameter profile rods
- One profile holder should be placed for each 500mm of profile rod

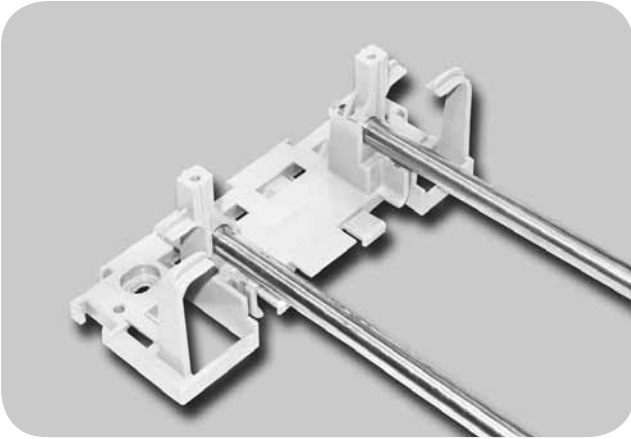


ORDERING INFORMATION

Description	Length of rods (mm)	Catalog Number
Profile rod holder		
Installation depth: 46mm		
Rod distance: 95mm		6577 2 834-00
Rod distance: 75mm		6577 2 834-01
Installation depth: 86mm		
Rod distance: 95mm		6577 2 860-00
Rod distance: 75mm		6577 2 860-01
Installation depth: 190mm		
Rod distance: 95mm		6577 2 844-00
Installation depth: 140mm		
Rod distance: 95mm		6577 2 868-00
Profile rod		
Diameter: 12mm steel, unthreaded ends Maximum number of Series 2 modules		
12	299	6577 3 835-01
18	447	6577 3 835-25
24	574	6577 3 835-02
33	750	6577 3 835-16
34	861	6577 3 835-03
48	1136	6577 3 835-04
55	1260	6577 3 835-08
60	1423	6577 3 835-05
72	1698	6577 3 835-06
76	1800	6577 3 835-07
88	2000	6577 3 835-14
100	2450	6577 3 835-21

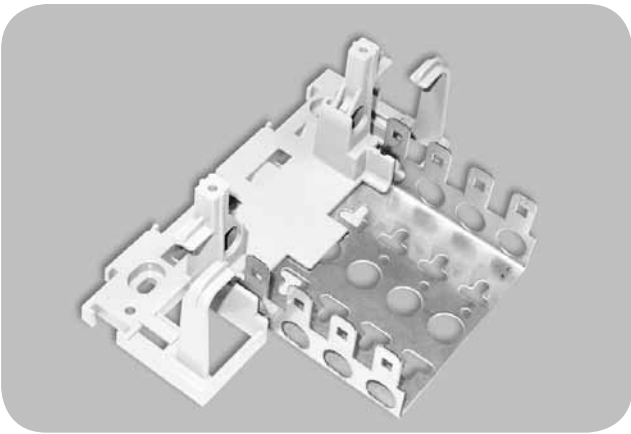
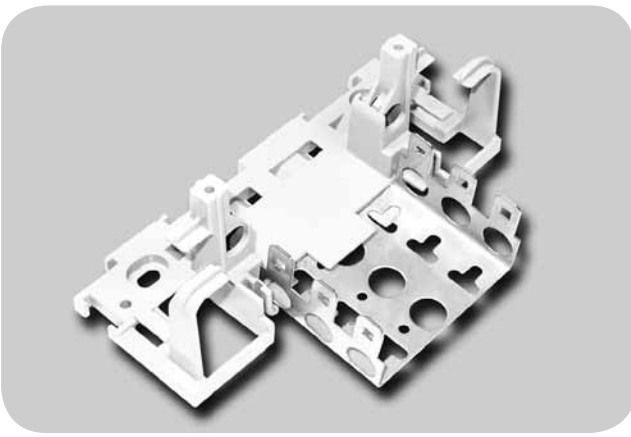
Mounting Accessories

Mounting Adapter



FEATURES & BENEFITS

- Used for installation of small to medium indoor distributors
- Permits wall mounting of back mount frames or profile rods (95mm distance between poles)
- Snap-on feature allows additional adapters to be installed either vertically or horizontally



ORDERING INFORMATION

Description	Dimensions (H x W x D)	Catalog Number
LSA-PLUS, LSA PROFIL mounting adapter Features 3 locations for cable attachment, 2 jumper guides, 2 mounting holes. Mounting hardware must be ordered separately	76mm x 195mm x 75mm	6455 3 027-00