



48-Drop FTTH Enclosure

FIST-EDSA

CommScope's fiber optic splice closures are synonymous with excellence in sealing, fiber management, ease of use and design flexibility. Building on almost 30 years of innovation and industry leadership, CommScope's new FIST-EDSA FTTH closure enables faster and easier installation of direct buried cables and speed pipes.

The FIST-EDSA features innovative sealing and cable retention for a range of cables, combined with proven gel seal technology and FIST fiber management hardware.

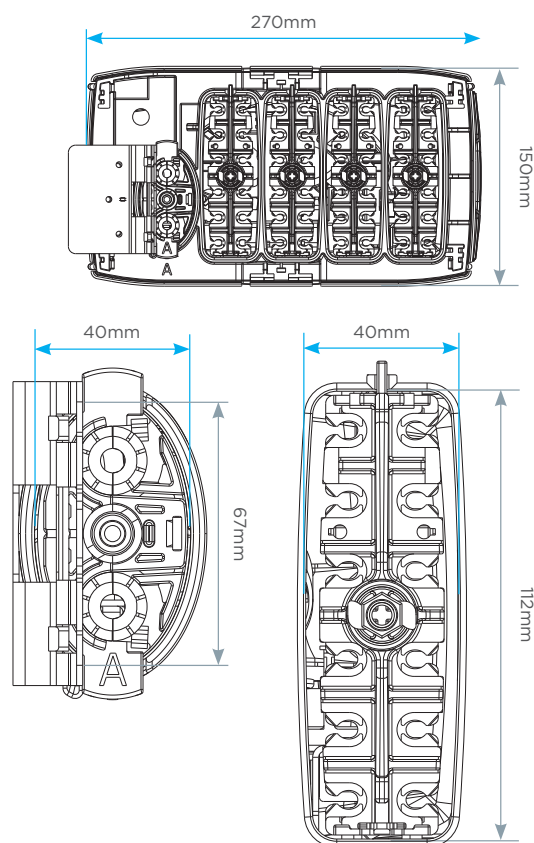
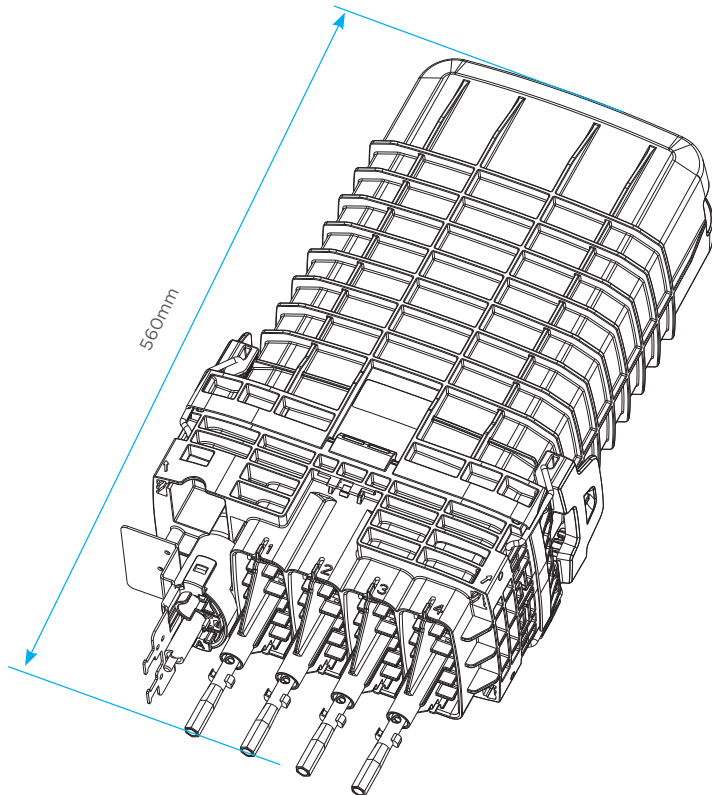
Features

- Single-ended base and dome design with only two latches
- Four long oval-shaped gel-sealed drop ports for 12 drop cables each (maximum 48 drops)
- One oval shaped gel-sealed feeder port
- Feeder loop possibility
- Feeder cable diameter maximum 16mm
- Drop cable diameter range: 5-8mm
- Fast, easy, toolless installation
- Single-sided UMS (Universal Mounting System) frame allows mounting of FIST management grooveplates and trays
- Repair and upgrade possibility
- Intuitive identification
- Eliminates need for waterblock connectors
- New cable attachment design: toolless and wrap-around installation

48-Drop FTTH Enclosure

FIST-EDSA

Dimensions and Capacities



Ordering Information

Dimensions in mm	
Length	560
Width at base	270
Depth at base	150

Cable port dimensions in mm	
Drop ports 1, 2, 3 and 4	112 x 40
Feeder port	67 x 40

Cable diameter in mm	
Feeder port (2 cables/port)	
Minimum Ø:	5
Maximum Ø:	16
Drop ports (12 cables/port)	
Minimum Ø:	5
Maximum Ø:	8

Splice capacity	Fibers	Trays
Single circuit splicing (2 primary coated fibers)	64	16
Single element splicing (12 primary coated fibers)	96	8

Capacities shown above are based on FIST-SOSA2 trays; capacity can be increased by the use of FIST-SOSA2-5SE modules or FIST-SOSA2-SLE trays. Please contact your local CommScope sales representative for more information.

NOTE: Use of the FIST-SOSA2-SLE limits fiber length and allowable bend radius.

Ordering Information

FIST - EDSA - D4 - _____

Valve	
N	No valve
V	Valve

Kit includes

Closure with UMS mounting frame and feeder seal

Accessories

- FIST-SOSA2 splice trays ordered separately
- Drop seals and mounting bracket ordered separately (see below)

Description	Part Number
Mounting bracket	EDSA-MOBRA
Drop seal	EDSA-SKG12-5/8
Dummy drop seal	EDSA-DUMMY



www.commscope.com

Visit our website or contact your local CommScope representative for more information.

© 2015 CommScope, Inc. All rights reserved.

FIST, EDSA and all trademarks identified by ® or ™ are registered trademarks or trademarks, respectively, of CommScope, Inc. This document is for planning purposes only and is not intended to modify or supplement any specifications or warranties relating to CommScope products or services.

PS-318842.4-EU (12/15)