

SiCab Multi-purpose Cabinet

Product Catalogue

Basic Cabinets

Expansions and Accessories





SiCab multi-purpose cabinet

The SiCab outdoor cabinet is a double-walled, weather-proof protective cabinet for accommodation of electronic equipment. The Cabinet protects the installed components reliably against the effects of weather and mechanical stress. The housing of the modular cabinet consists of a metal inner shell and a plastic outer shell made of fibreglass reinforced polycarbonate. The inner housing consists of an upper part (IP 55) and a bottom part (IP 44). The heat is additionally led out of the cabinet by heat-exchanger in the roof.

Properties and benefits

- **Double-walled outdoor cabinet** made of glass fibre-reinforced polycarbonate (RAL 7038) and aluminium
- **Surface profiling** to prevent billposting
- Outer parts can be removed **without interruption of service**
- Can be installed in series (side-by-side, back-to-back)
- Door(s) with **door-stay** (opening angle >150°), and **three-point locking mechanism with swivel arm** for profile half cylinder
- **Roof module** prepared for the use of climate technology (e.g. heat exchanger)
- **Extremely durable** (> 25 years)

Suitable base or mounting frame can be supplied



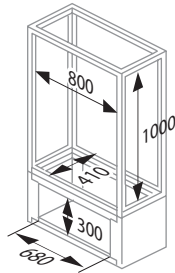
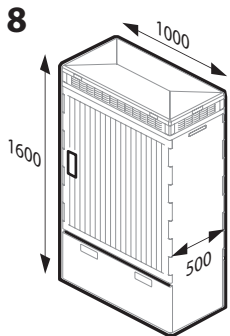
Norms and Standards (Specifications dependent on equipment)

Design Requirements	
Deutsche Telekom TS 0273/96	Multi-purpose cabinet and plinth (base)
ETS 300119-3, -4, DIN 43356	ETS racks and assembly racks
EN 301169-2	External cabinet dimensions
VDI Guideline 2243	Separability of materials
DIN ISO 2768-1 (m)	Tolerances
Mechanical and climatic durability	
DIN 47609	Weatherproof plastic coupler cabinets for telecommunication, control and signalling cables, mechanical strength, resistance to fracture, water condensation
ETSI EN 300019-1-4 climate class 4.1E (operation)	Operating ambient temperature range of -45° to +45°C (without exposure to sunlight) (relative humidity of 8% to 100%)
DIN EN 60068 -2-2, -2-14, -2-30, -2-6, -2-64, -2-29	Temperature changes, damp heat, vibration, continuous shock
EN 50125-3 climate class T1, VDE 0115-108-3	Environmental conditions for signalling and telecommunications equipment
ETS 300019-1-2, DIN EN 60068-2-31	Transportation, overturning and frame strength
IEC 62262, DIN EN 50102/A1, EC 60068-2-75, VDE 0470-100, DIN EN 62262	Outer mechanical stress Shock resistance grade IK 10
EN 61439-5, IEC 61439-5, DIN EN 61439-5, VDE 0660-503	Cable distributor enclosures for power distribution networks (Low-voltage switchgear and controlgear assemblies)
DIN 50018-KWF 0,2S	Corrosion resistance of metal parts; Condensation water alternating atmosphere with an atmosphere with sulphur dioxide content
Deutsche Telekom TS 0273/96	Load capacity of racks, base stability, wind load, climate technology
DIN V ENV 1627, DIN V ENV 1630	Protection against burglary (RC2/WK2)
Electrical requirements and safety	
DIN 40050, IEC 529, VDE 0470, EN 60529	Protection rating IP 55, 54, 44, 43
DIN VDE 0100-410, DIN EN 50 174, DIN VDE 0800-2, DIN VDE 0100-520	Grounding measures
EN 62305-1, EN 62305-4, EN 61643-11	Lighting current immunity, interference immunity
UL94 HB	Self-extinguishing material
IEC 512-2-2a	Potential equalisation resistance
IEC TS 61587-3	Shielding effectiveness, EMC 30 up to 2500 MHz
DB directive 997.0205A01	Current carrying capacity and short-circuit resistance of frames
Environment	
DIN ISO 11469, DIN 1451	Marking plastic for correctly sorted recycling
TA Lärm (German noise prevention code, equivalent to ETS 300753), ISO 9613-2, ISO 3744, ISO 3746, BImSchG (German Federal immission control act)	Noise emissions, immission protection
Authorisations and approvals	
EU directive 96/48/EC	Technical specifications for interoperability (railway)
Deutsche Telekom TS 0273/96	Type sample testing and technical specifications for DTAG cabinet and base

Equipment of basic cabinet

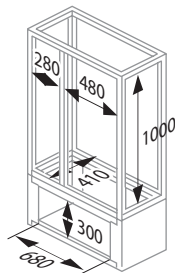
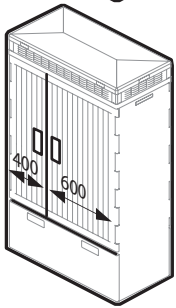
- Cabinet with the **label** SICHERT / [neutral]
- Door(s) with **double locking mechanism swivel arm** with emergency key and 1x dummy cylinder, **door stay, document pocket(s)** A4
- Profile frame **without base plate** with 6-way **earth connection** in lower cabinet

Cabinet size outer dimensions in mm	Cabinet height 1600 mm inner dimensions in mm	Article number	Cabinet height 1450 mm inner dimensions in mm	Article number
--	--	----------------	--	----------------



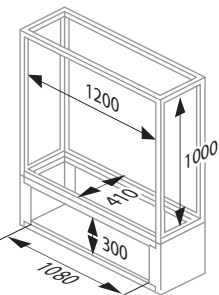
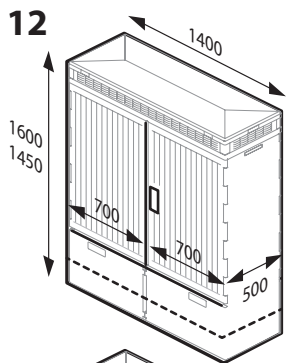
1-door
Closed on the **right**
(on request)

1-door
Closed on the **left**
70.1010.00.00



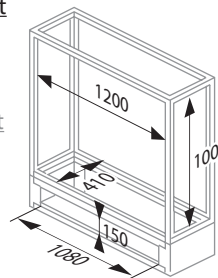
2-door
Door 400 mm
on the **right**
70.1008.00.00

2-door
Door 400 mm
on the **left**
70.1007.00.00



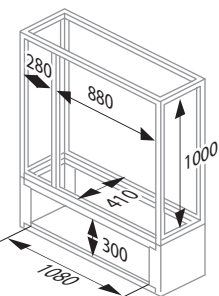
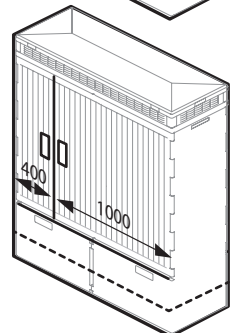
2-door
Closed on the **right**
70.1410.00.00

2-door
Closed on the **left**
(on request)



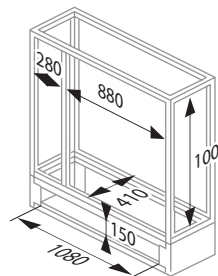
2-door
Closed on the **right**
70.1421.00.00

2-door
Closed on the **left**
(on request)



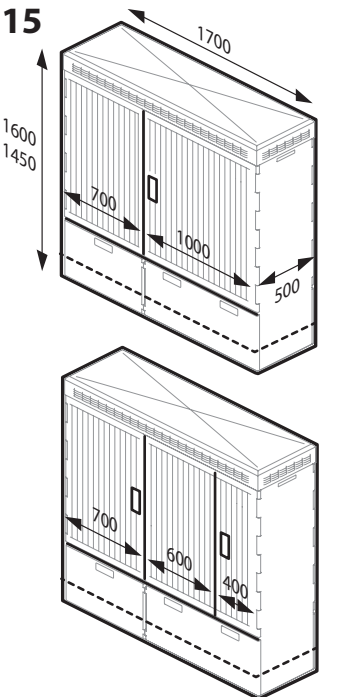
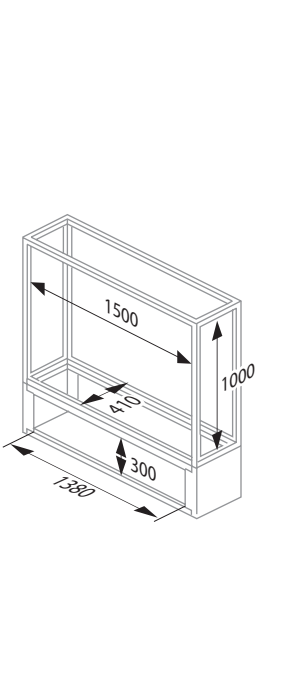
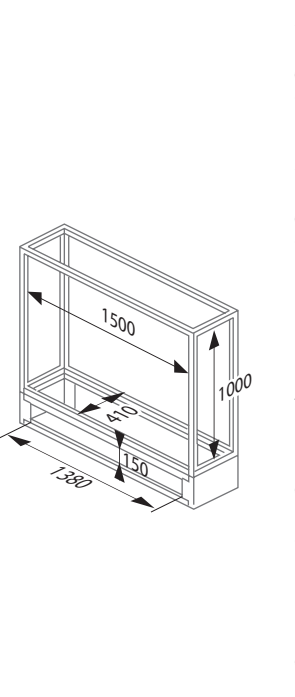
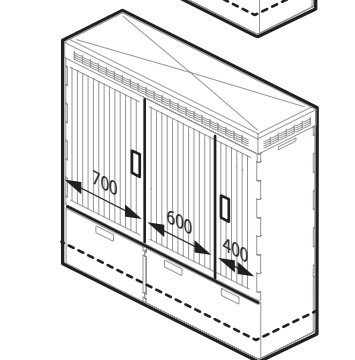
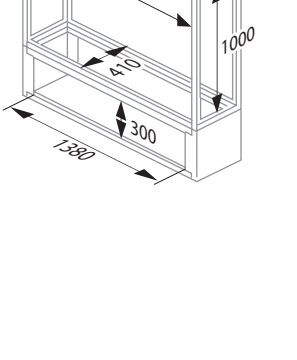
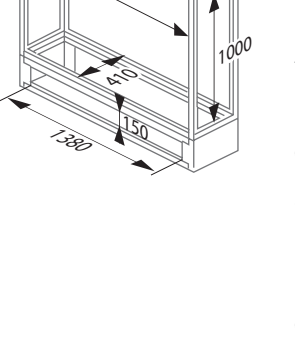
2-door
Door 400 mm
on the **right**
70.1501.00.00

2-door
Door 400 mm
on the **left**
70.1500.00.00



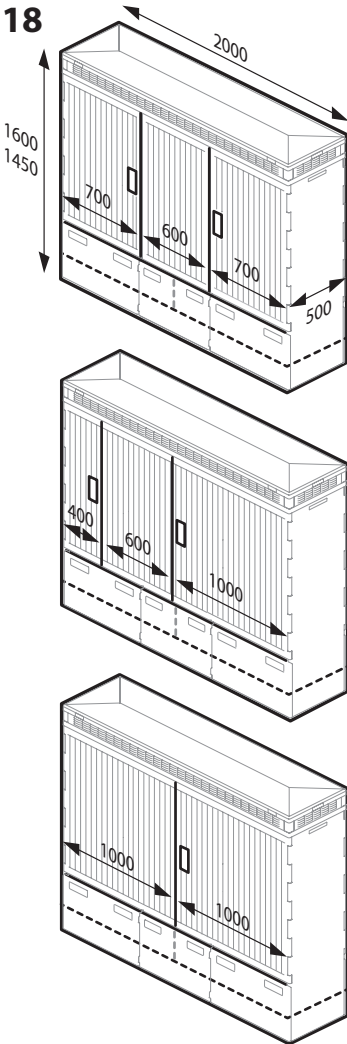
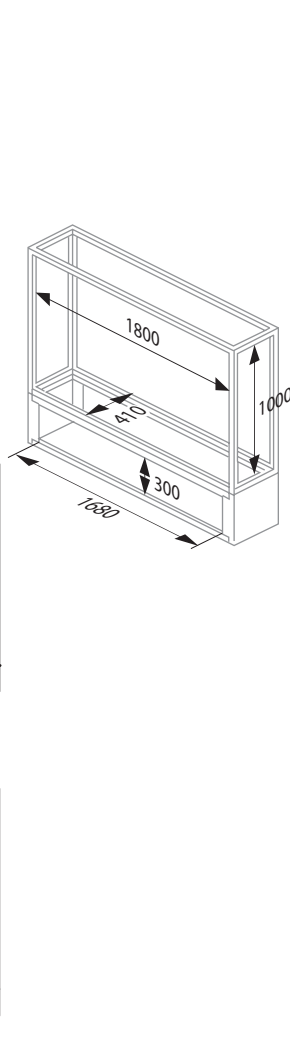
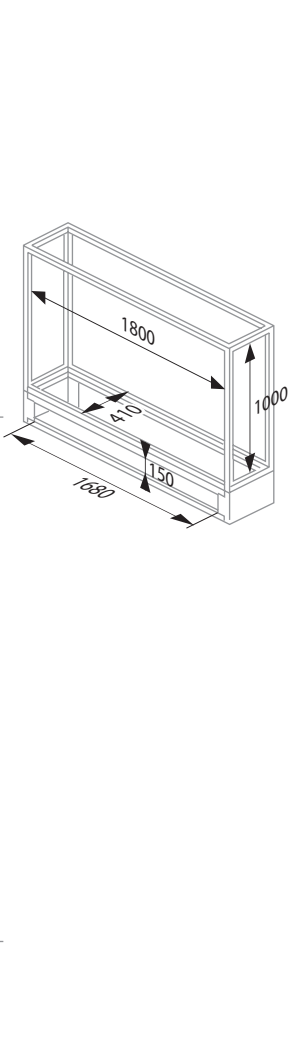
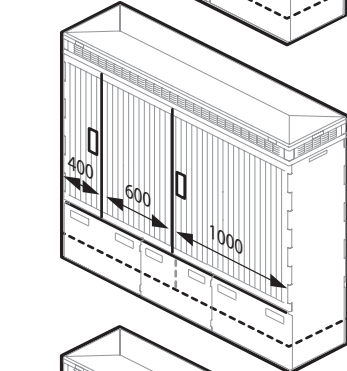
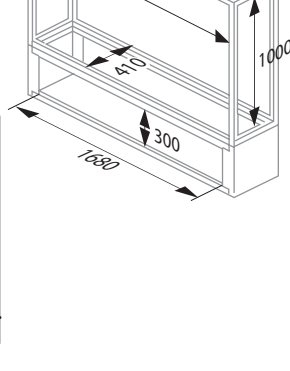
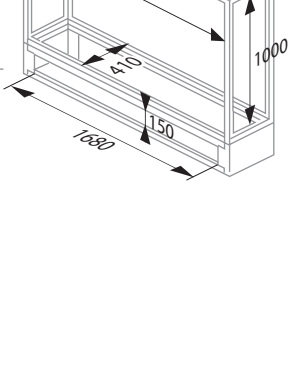
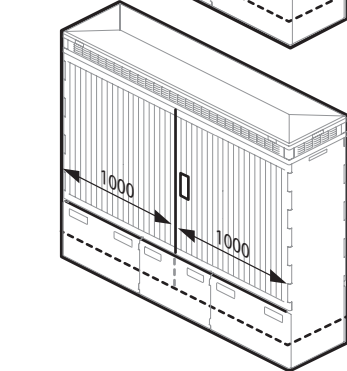




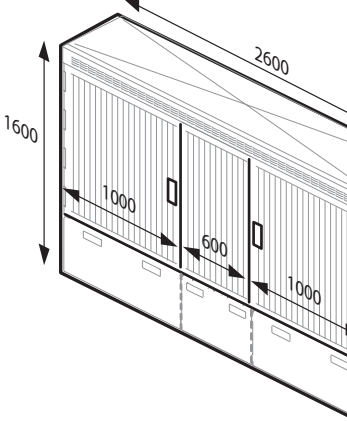
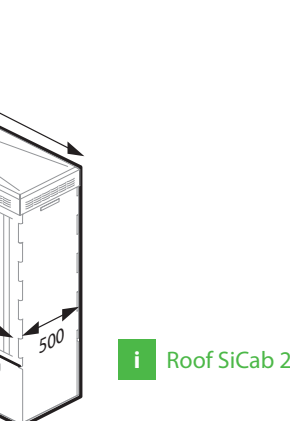
2-door
Door 400 mm
on the **right**
70.1503.00.00

2-door
Door 400 mm
on the **left**
70.1502.00.00

Cabinet size outer dimensions in mm	Cabinet height 1600 mm inner dimensions in mm	Article number	Cabinet height 1450 mm inner dimensions in mm	Article number
<p>15</p> 		<p>2-door Door 1000 mm Closed on the <u>right</u> 70.2603.00.00</p> <p>2-door Door 1000 mm on Closed on the <u>left</u> 70.2602.00.00</p>		<p>2-door Door 1000 mm Closed on the <u>right</u> 70.2601.00.00</p> <p>2-door Door 1000 mm on Closed on the <u>left</u> 70.2600.00.00</p>
		<p>3-door Door 400 mm Closed on the <u>right</u> Slot-in middle door 70.2621.00.00</p> <p>3-door Door 400 mm Closed on the <u>left</u> Slot-in middle door 70.2620.00.00</p>		<p>3-door Door 400 mm Closed on the <u>right</u> Slot-in middle door 70.2623.00.00</p> <p>3-door Door 400 mm Closed on the <u>left</u> Slot-in middle door 70.2622.00.00</p>

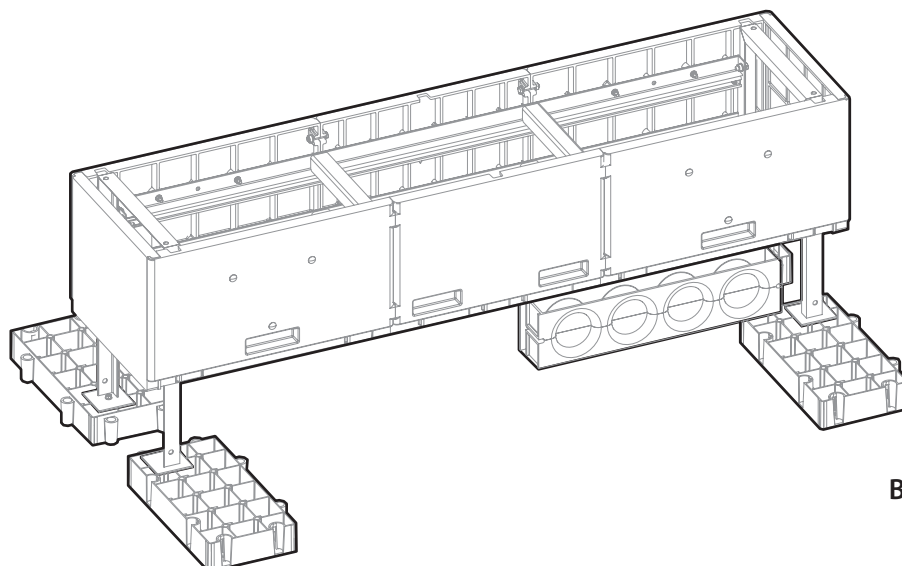
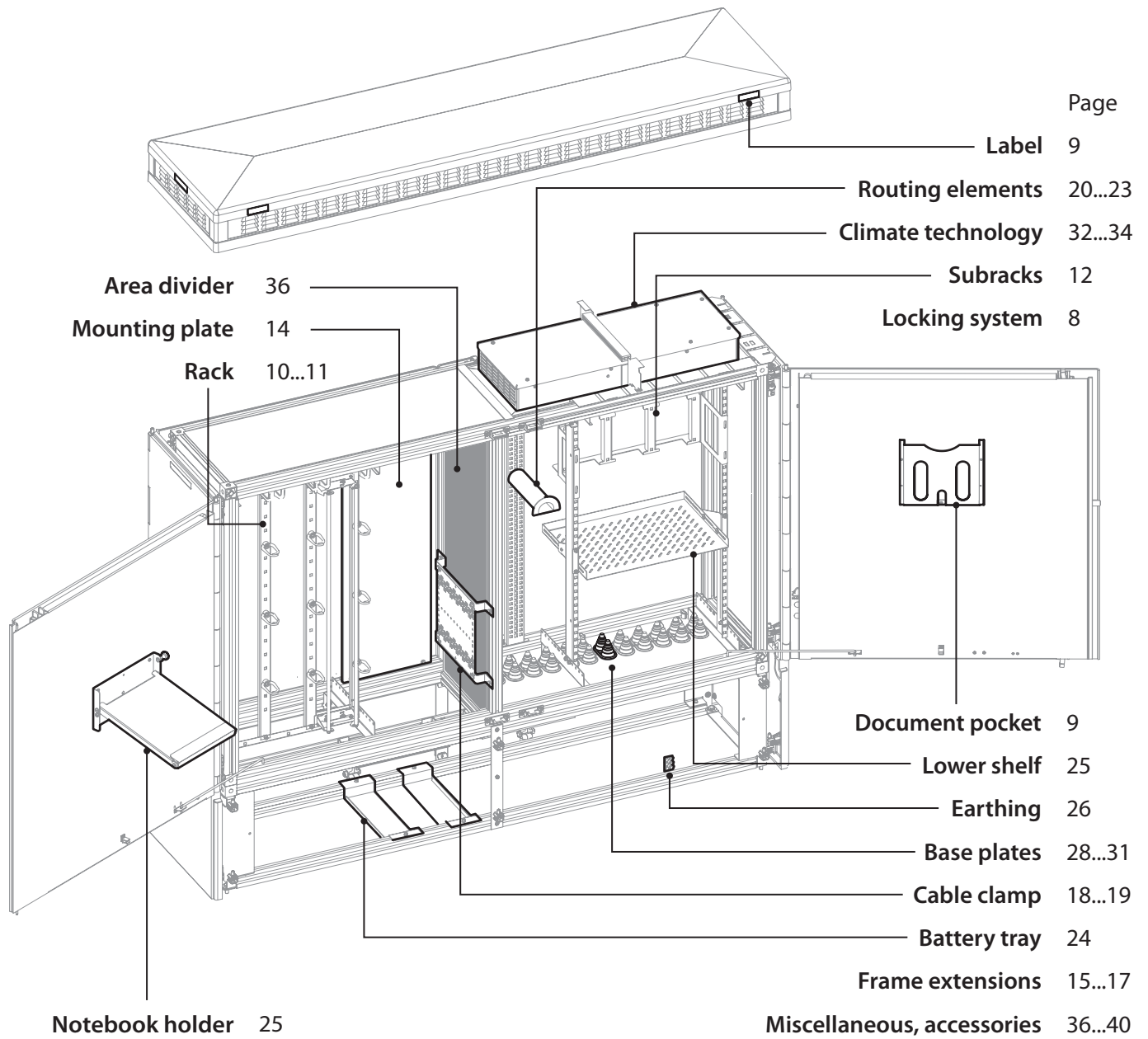
Equipment of basic cabinet

- Cabinet with the label SICHERT / [neutral]
- Door(s) with **double locking mechanism swivel arm** with emergency key and 1x dummy cylinder, **door stay, document pocket(s) A4**
- Profile frame **without base plate** with 6-way **earth connection** in lower cabinet

Cabinet size outer dimensions in mm	Cabinet height 1600 mm inner dimensions in mm	Article number	Cabinet height 1450 mm inner dimensions in mm	Article number
18 		3-door (Standard) Slot-in middle door 70.2100.00.00		3-door (Standard) Slot-in middle door (on request)
		3-door Door 400 mm on the <u>right</u> Slot-in middle door 3 flaps 70.2211.00.00 2 flaps 70.2213.00.00		3-door Door 400 mm on the <u>right</u> Slot-in middle door 2 flaps 70.2215.00.00
		3-door Door 400 mm on the <u>left</u> Slot-in middle door 3 flaps 70.2210.00.00 2 flaps 70.2212.00.00		3-door Door 400 mm on the <u>left</u> Slot-in middle door 2 flaps 70.2214.00.00
24		2-door Closed on the <u>right</u> 70.2101.00.00		2-door Closed on the <u>right</u> (on request)
		2-door Closed on the <u>left</u> (on request)	3-door (Standard) Slot-in middle door 70.3002.00.00	2-door Closed on the <u>left</u> (on request)

i Roof SiCab 24 made of aluminium

Overview of equipment



Base and accessories 38 - 39

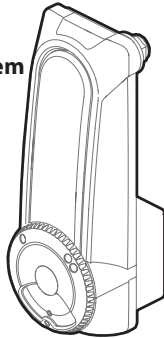
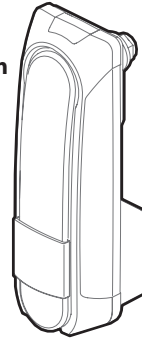
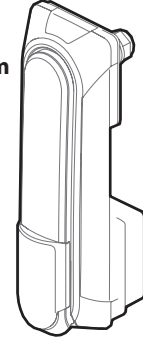
Locking systems

- Double or single locking mechanism swivel arm lock
- Mounting profile half cylinders according to DIN 18252
- **Optional coating in special colour**

 DIN
18252

 IP65




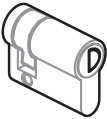
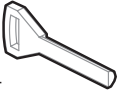
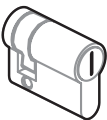


 GDZn
PA6

**Swivel arm
Double locking system
Metal**
A
Standard

**Swivel arm
Single locking system
Metal**
B C D

**Swivel arm
Single locking system
Plastic**
E


Type of locking system	Material	RC2	For cylinder length in mm	RAL 7038	Special features	Article number
A Double locking	GDZn (Zamak)	•	40 or 45		Standard	59.1802.05.00 59.1802.05.00E1 Spare part
B			40	Powder-coated		59.1802.11.00
C Single locking	GDZn (Zamak)	•	KABA 1514		KABA half cylinder	59.1802.16.00
D			40		Electro-mechanical	59.1802.14.00
E Single locking	PA6 GF30	-	40	Uncoated	Standard	59.1802.02.00

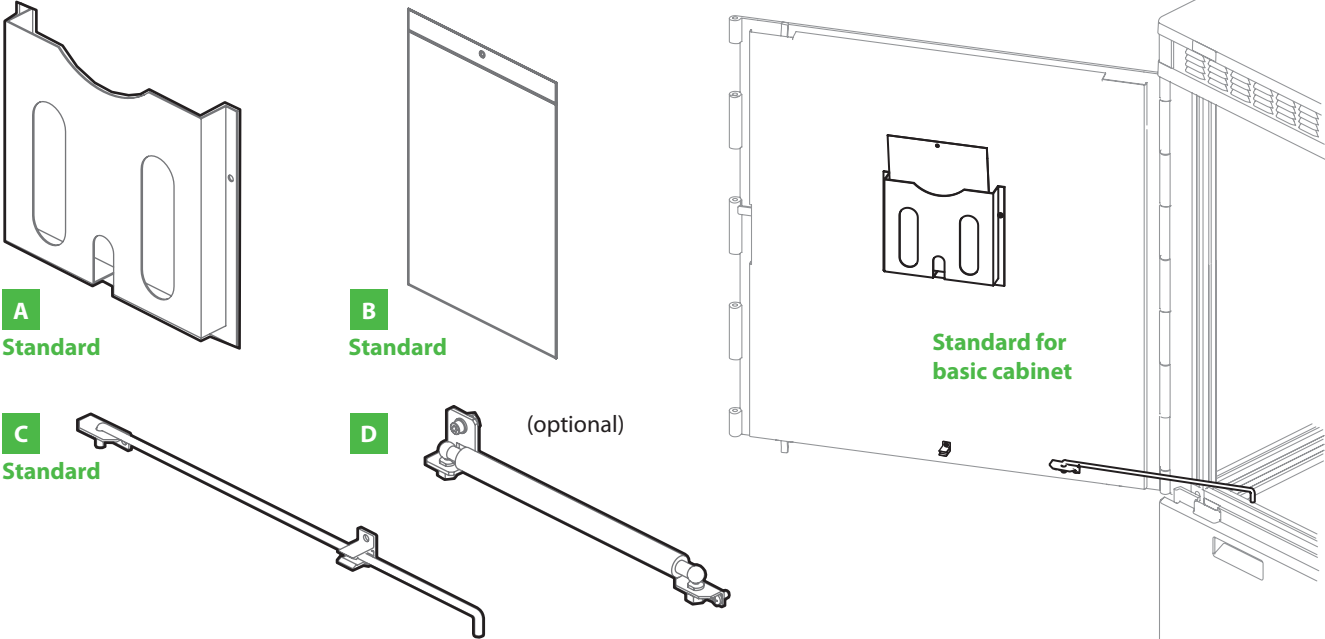
 Other versions upon request

Locks and keys

For swivel arm	Profile half cylinder 40 mm	Number of keys	Article number
A D	Dummy cylinder 	-	59.0531.02.05
A B D E	Q15 / Q19 	1x	59.0531.02.29 Q15
	+ 	1x	59.0531.02.23 Q19
	SICHERT 	1x	59.0531.02.24
	+ 	2x	59.0531.02.02
	Temporary locking 	1x	59.0531.02.42
	+ 		
A D	(cylinder not installed)	Emergency key 1x	59.0531.02.19
		10x	59.0531.02.19E1

 Other versions upon request

Door stay and document pocket



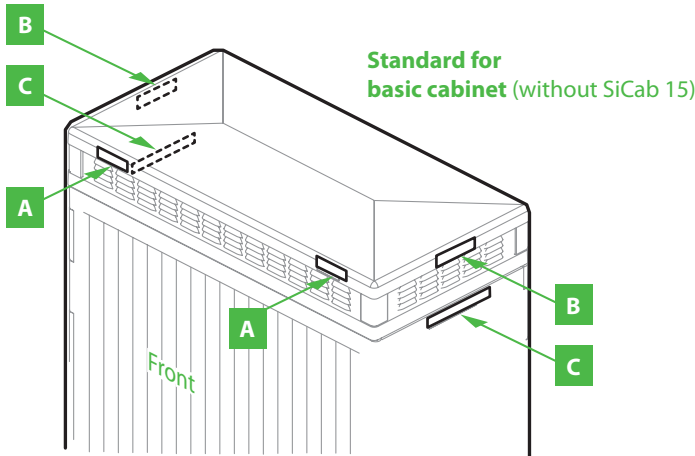
Part	W x H x D in mm	Material	Mounting material	Article number
A Document holder DIN A4 (upright)	264 x 240 x 32	PS	•	59.1708.01.00
B Pocket DIN A4 (upright), transparent	217 x 330 x 1	PVC, soft	-	70.0800.60.09
C Door stay for door opening angle >150°		Steel Fe/Zn	-	70.2500.60.02
D Gas pressure spring with door opening angle >90°			•	70.0925.03.00

Labelling surfaces

RAL 7038 PC GF5

Standard

- A 69 x 21 mm
- B 92 x 21 mm
- C 155 x 21 mm



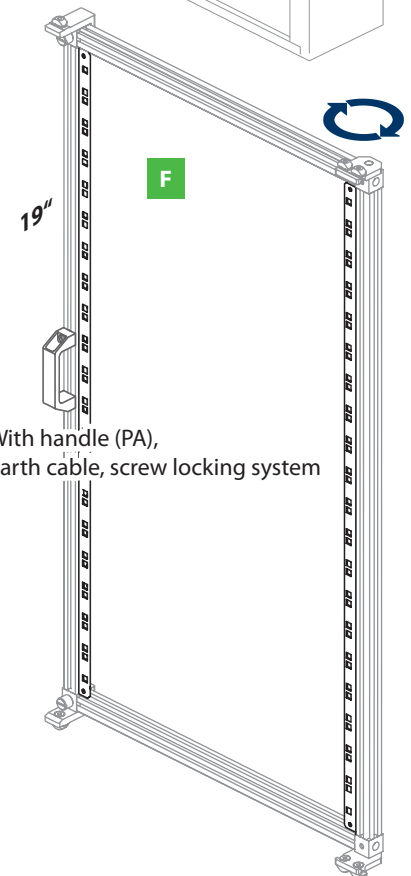
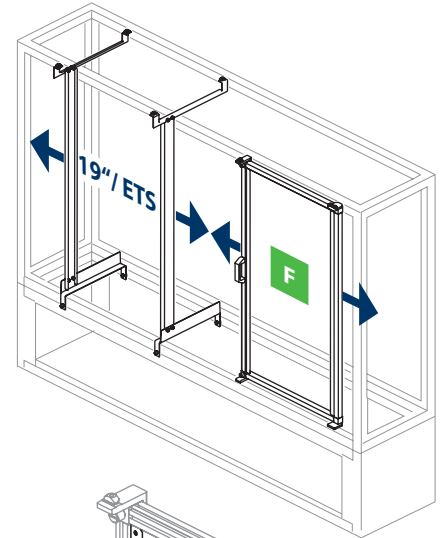
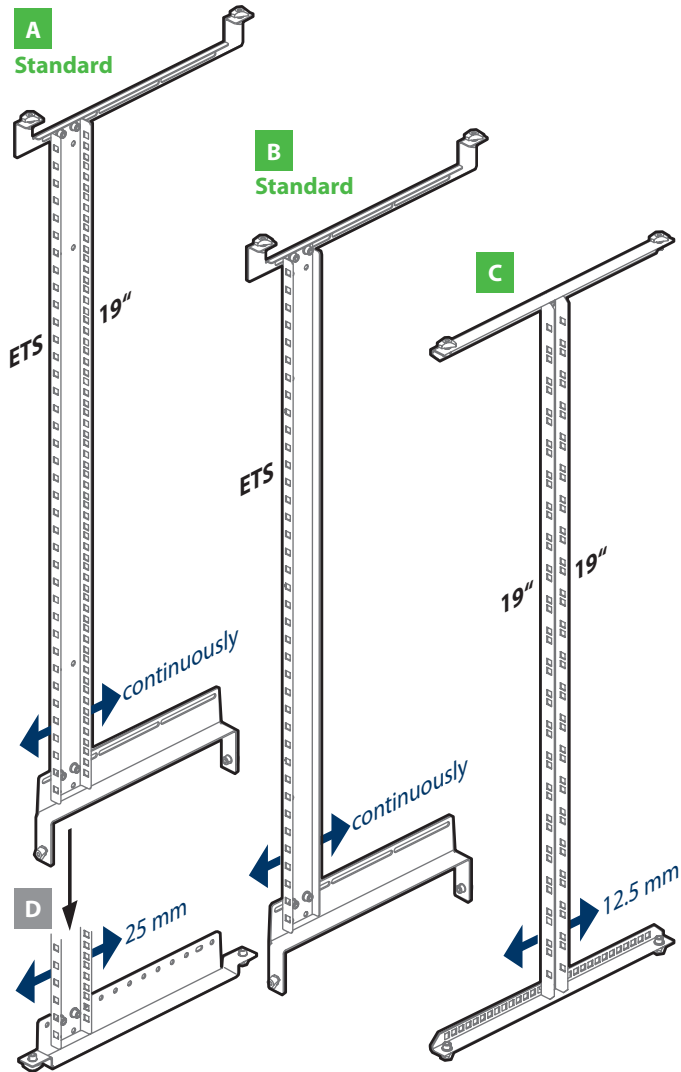
Label	Article number
A SiCab [neutral]	70.0800.21.05L 59.0712.13.07L
B SICHERT [neutral]	59.0712.13.04L 59.0712.13.09L
C Bekleben verboten [neutral]	59.0712.13.15L 59.0712.13.39

Customized labeling upon request

19" / ETS rack

- Depth adjustable and can be moved sideways
- Complete with mounting material for profile frame

Stainless Steel 19" ETS 8.3 x 8.3



Type	Hole grid in mm 19" / ETS	Installation width in mm 19" / ETS	Usable height U / SU	Article number
A 19" / ETS	44.45 / 25	506 / 556	21 / 38	70.1891.78.00 70.1891.78.00E1 Retrofit kit
Additional layer				70.0081.43.10
B ETS	- / 25	- / 556	- / 38	70.1420.70.00 70.1891.77.00E1 Retrofit kit
C 19" two-sided	44.45 / -	505 / -	20 / -	70.0889.70.00
D 19" / ETS	44.45 / 25	536 / 586	24 / 41	70.2520.70.00
E 19" / ETS	44.45 / 25	505 / 555	21 / 38	70.0081.43.00E1 Retrofit kit for SiCab old
F Swivel rack 19"	44.45 / -	540 / -	20 / -	70.0080.57.00
Swivel rack ETS	- / 25	- / 590	- / 36	70.0080.56.00

Rack for cable heads

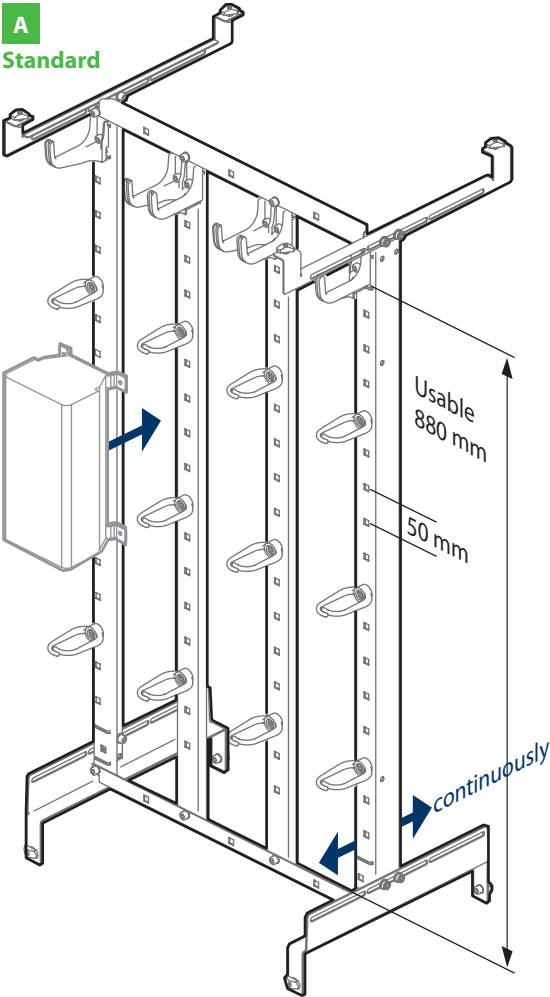
- Depth adjustable and can be moved sideways
- With wire guide made of plastic (PA6) and mounting material for profile frame (without **D**)

Stainless Steel

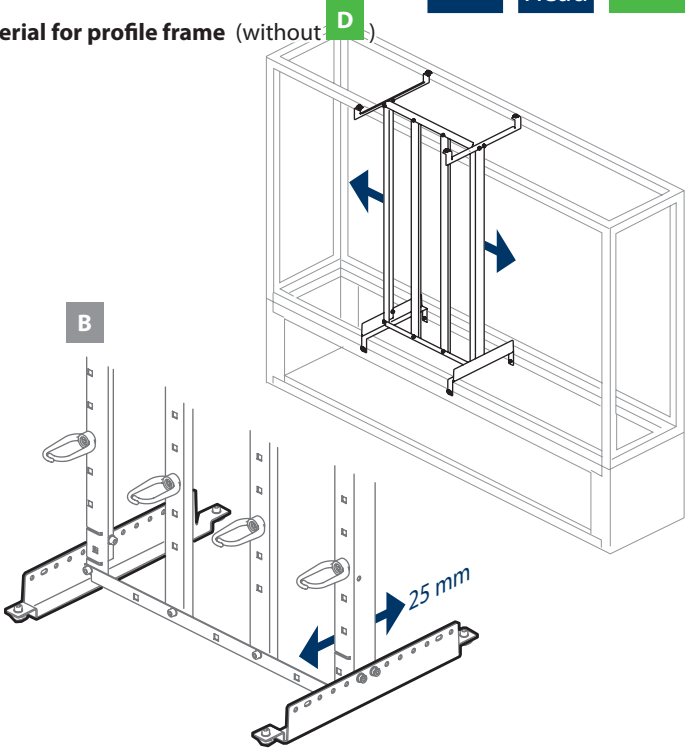
Cable Head

8.3x8.3

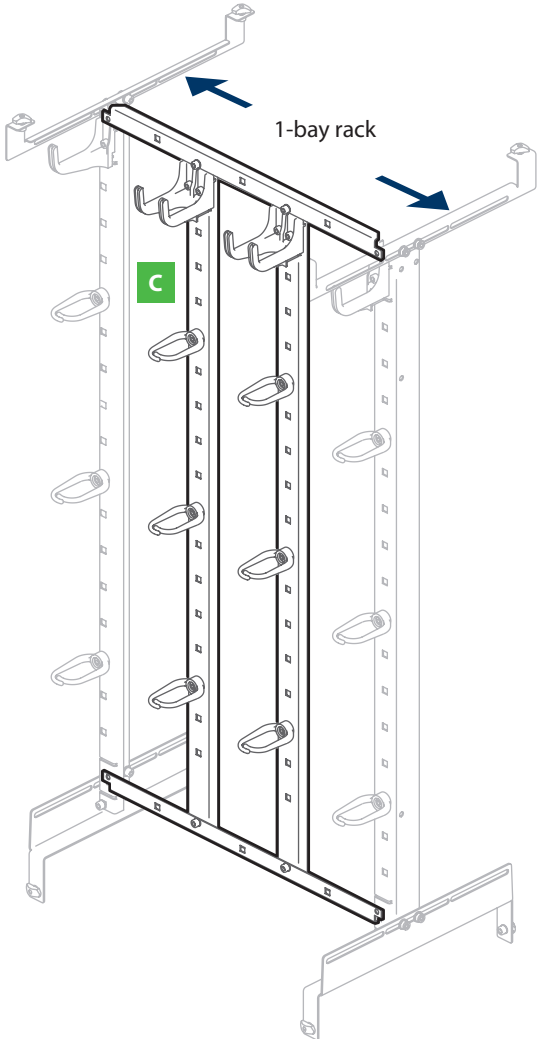
A
Standard



B



C



	Number of bays (width in mm)	Installation width in mm	Article number
A	1 (variable)	193	70.1891.75.00
			70.1891.75.00E1 Retrofit kit
	2 (120)	351	70.1891.76.00
			70.1891.76.00E1 Retrofit kit
	3 (120)	509	70.1891.71.00
			70.1891.71.00E1 Retrofit kit
B	1 (variable)	193	70.0081.44.00E1
			Retrofit kit for SiCab old
	2 (120)	351	70.0081.45.00E1
			70.0081.46.00E1
C	2 (120)		70.1880.74.00E1 Retrofit kit for
	3 (120)		70.1880.73.00E1 1-bay rack

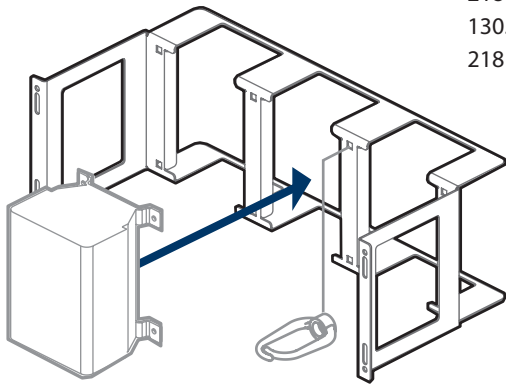
Subrack for cable heads in 19" or ETS rack

 Stainless
 Steel

 8.3 x 8.3


■ With mounting material

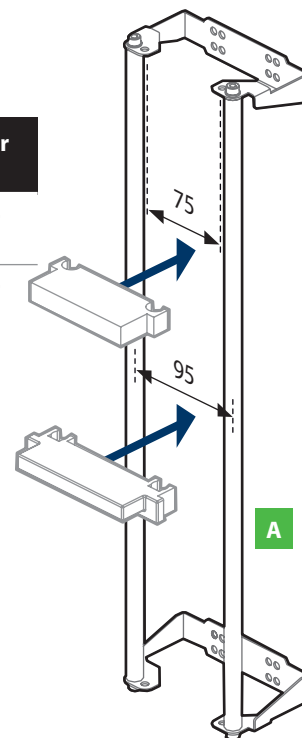
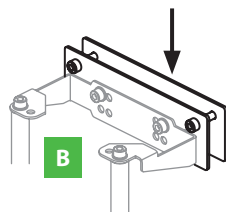
Mounting in rack	Number of bays (width in mm)	Depth x height in mm	Installation height	Wire guide rings (max.)	Article number
19"	2 (120)	160 x 178	4 HE	• 6x (6x)	70.0081.74.00
		160 x 266	6 HE	• 6x (6x)	70.0081.75.00
		160 x 355	8 HE	• 6x (6x)	70.0081.76.00
ETS	3 (120)	218 x 100	3 SU	- (8x)	70.0081.73.00
		218 x 175	7 SU	- (8x)	70.0080.74.00
		218 x 250	10 SU	- (8x)	70.0080.75.00
		130...170 x 300	12 SU	• 4x (8x)	70.0080.96.00
		218 x 350	14 SU	- (8x)	70.0080.76.00



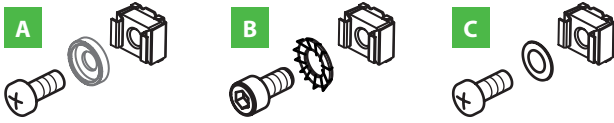
Profile rod module for LSA strips

■ With mounting material

Mounting on	Special features	Usable height in mm	Article number
A Profilrahmen	2 modules pre-assembled on mounting plate 70.0080.89.00	950	70.1352.70.00
B Cable head bay (120 mm)	With adapter	861	70.0081.04.00


 Stainless
 Steel

Mounting set with cage nut

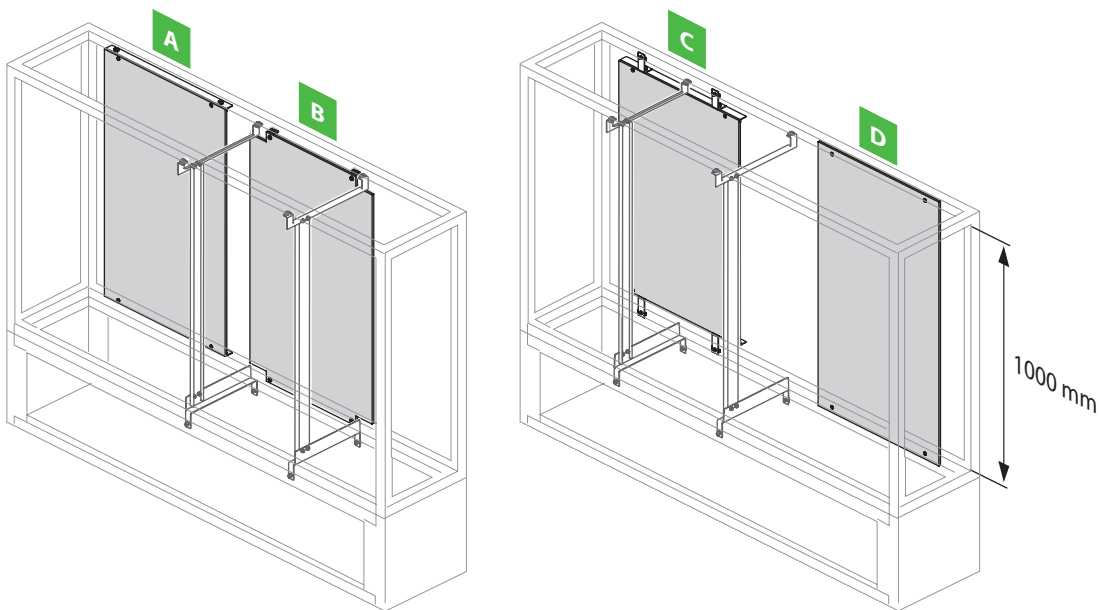
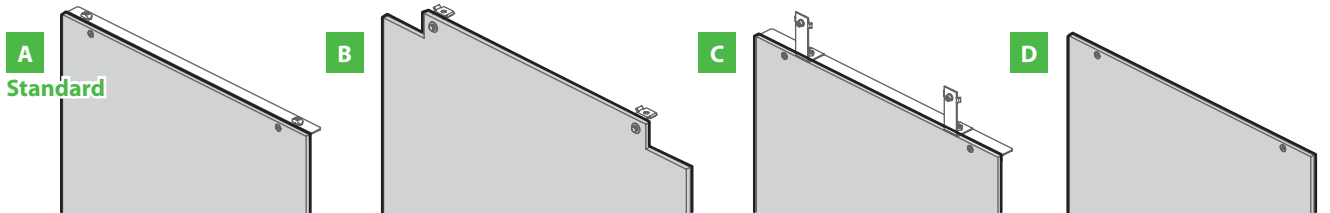


Type	Mounting on	Piece	Article number	
A Mounting set		50	70.0080.22.00	e.g. for 19" / ETS module
B	Rack □ 8.3 x 8.3 mm (M6)	50	70.0080.24.00	e.g. for grid bracket
C		4	70.0081.05.00	e.g. for mounting frame

Mounting plate

Plastic Galvanized Steel

- Mounting on profile frame
- Can be freely positioned within the width of the cabinet
- Distance from mounting plate to door: approx. 370 mm
- **With mounting material**



Type	W x H (plate) in mm	Thickness in mm	Material	Article number	
A Plastic	798 x 1000	8	Rigid PVC, grey	70.0080.87.00	2x SiCab 12 with area divider
	598 x 1000			70.0080.42.00	
	500 x 1000			70.1444.70.00	
	400 x 1000			70.0886.11.00	
	300 x 1000			70.0080.89.00	
Metal	798 x 1000	2	Galvanized steel	70.0081.35.00	
	598 x 1000			70.0080.41.00	
	298 x 1000			70.1985.70.00	
B With openings 80 x 55 mm	598 x 1000	8	Rigid PVC, grey	70.0080.84.00	
C For 3x SiCab 18 or 2x SiCab 12	598 x 890	8	Rigid PVC, grey	70.1280.11.00	
		2	Galvanized steel	70.0081.61.00	
D Directly attached on the profile	150 x 1070	8	Rigid PVC, grey	70.2060.11.00	

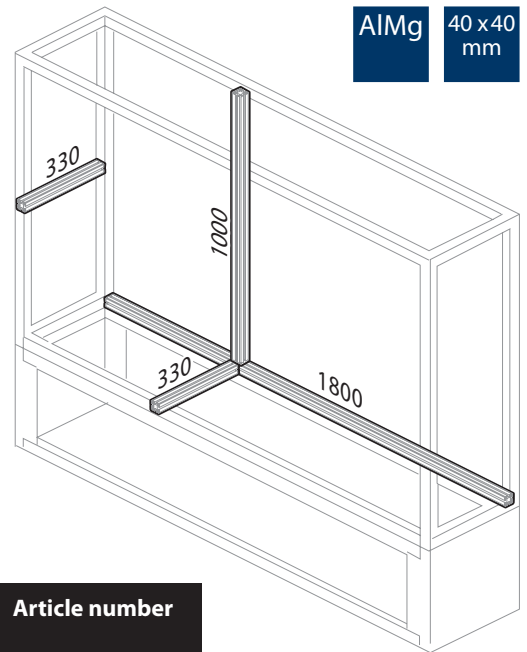
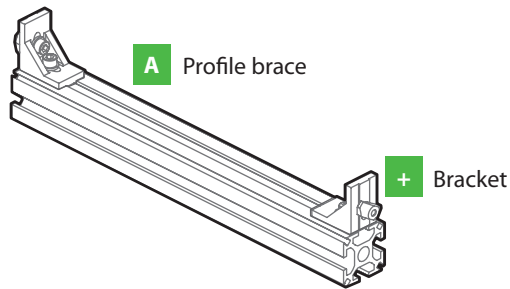
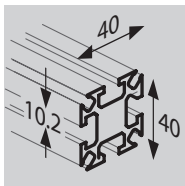
 Other sizes upon request

Mounting plates and frame extensions

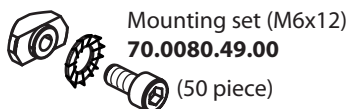
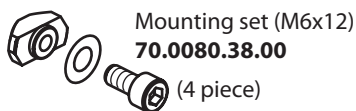
Profile brace 40

- Brace as an additional reinforcement or extension of the mounting options
- **Complete with mounting material for profile frame**

AlMg 40 x 40 mm



Type	Length in mm	Standard installation cabinet size	Typical position		Article number
			vertical	horizontal	
A Profile brace with 2x bracket complete	1000	All	•		70.0800.17.00 70.0800.17.00E1 Retrofit kit
	330	All		•	70.0800.19.00 70.0800.19.00E1 Retrofit kit
			(with seals for the base plate)		70.1804.94.00 70.1804.94.00E1 Retrofit kit
	800	8		•	70.0800.18.00
	1200	12		•	70.1200.12.00 70.1200.12.00E1 Retrofit kit
	1500	15		•	70.2500.32.00
	1800	18		•	70.1800.13.00 70.1800.13.00E1 Retrofit kit
					70.1800.16.00 (various lengths)
+ 1x bracket complete with mounting material for profile brace 40					70.0801.19.00

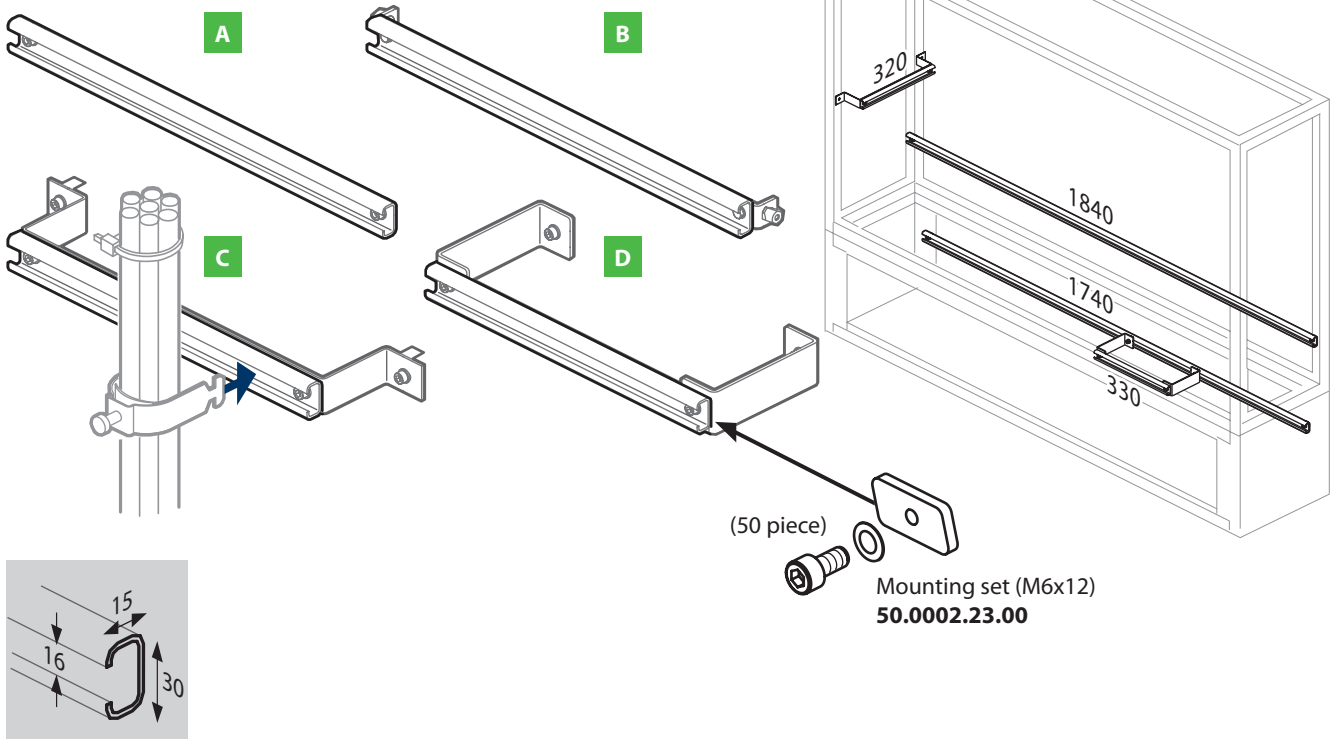


Other lengths upon request

Mounting C rail

■ Complete with mounting material

Galvanized Steel EN 60715



Type	Length in mm	Special features	Mounting on	Article number
A Directly attached on the profile 40	330		Profile brace 40	70.0081.63.00
	870	Complete cabinet width SiCab 8		70.0080.43.00
	1270	Complete cabinet width SiCab 12		70.0120.43.00
	1870	Complete cabinet width SiCab 18		70.0180.43.00
B For mounting between profiles 40	786	Complete cabinet width SiCab 8	Profile brace 40	70.0874.81.00
	985	Complete cabinet height SiCab		70.0842.70.00
C With spacer for mounting on side profile 40	400	With spacer 45 mm	Profile brace 40	70.0859.11.00
		With spacer 70 mm		70.1253.11.00
D With spacer for mounting on C rail or profile 40	330	With spacer 103 mm	Profile brace 40	70.2500.12.00
	330	With spacer 103 mm	C rail	70.1882.11.00
				70.1400.13.00E1 Retrofit kit
		2x 70.1882.11.00		70.1882.12.00
		2x 70.1882.11.00 with C rail 1740 mm for bottom part SiCab 18	Lower side parts of SiCab 18	70.1882.12.00E1 Retrofit kit

 Other lengths upon request

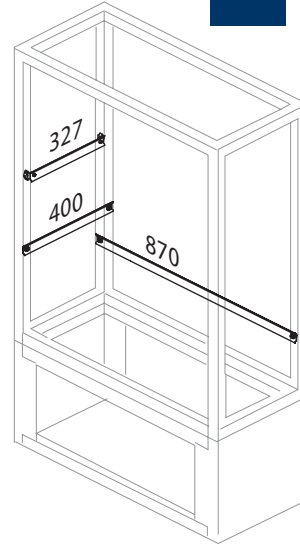
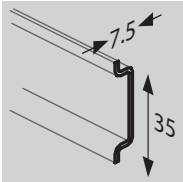
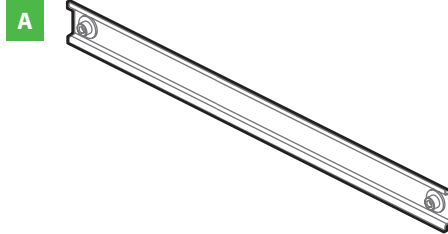
Support rail

TS35

Galvanized
Steel

EN
50022

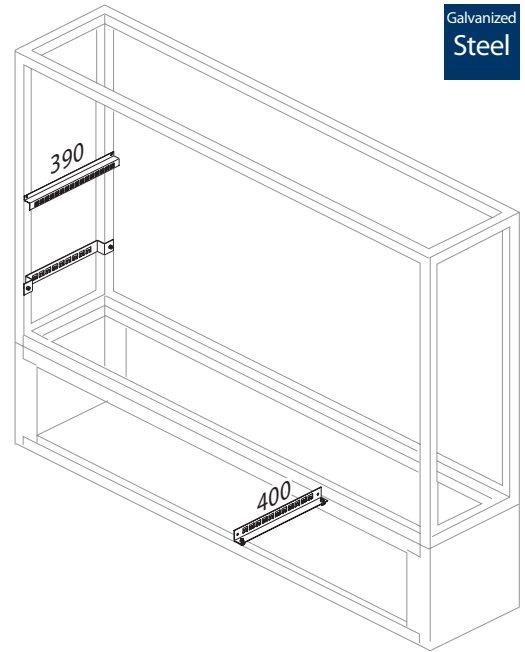
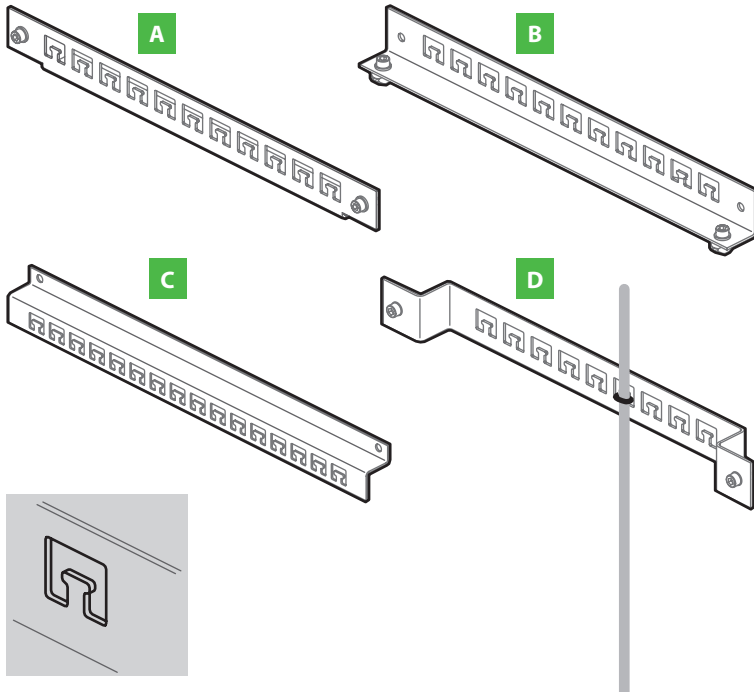
- Complete with mounting material for profile frame (without 19" version)



Type	Length in mm	Standard installation cabinet size	Article number	
A Support rail	327	All	70.0080.18.00	
	400	All	70.0080.55.00	
	870	8	70.0080.58.00	
	481	19" rack	54.4110.01.01	Without mounting set

Cable clamp rail (T structures)

■ Complete with mounting material

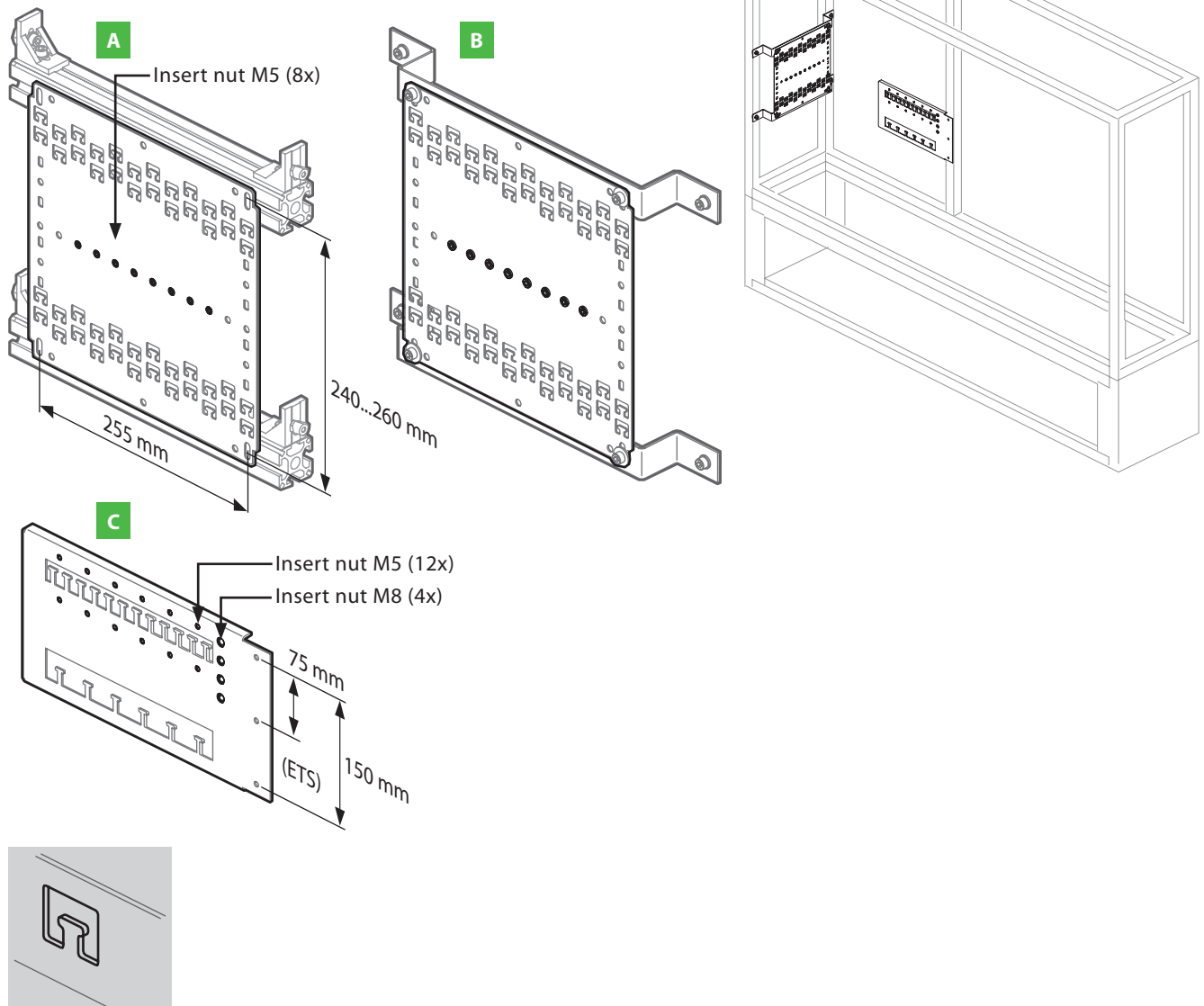


Type	Number of clamps (max.)	Grid intervals in mm	W x D x H in mm	Mounting on	Article number
A	11	30	400 x 32 x 40	Profile brace 40	70.0080.77.00
B					70.0080.78.00
C	15	22	390 x 25 x 40		70.0856.70.00
D	9	30	400 x 35 x 40		70.2025.04.00

Offset 30 mm

Cable clamp plate (T structures)

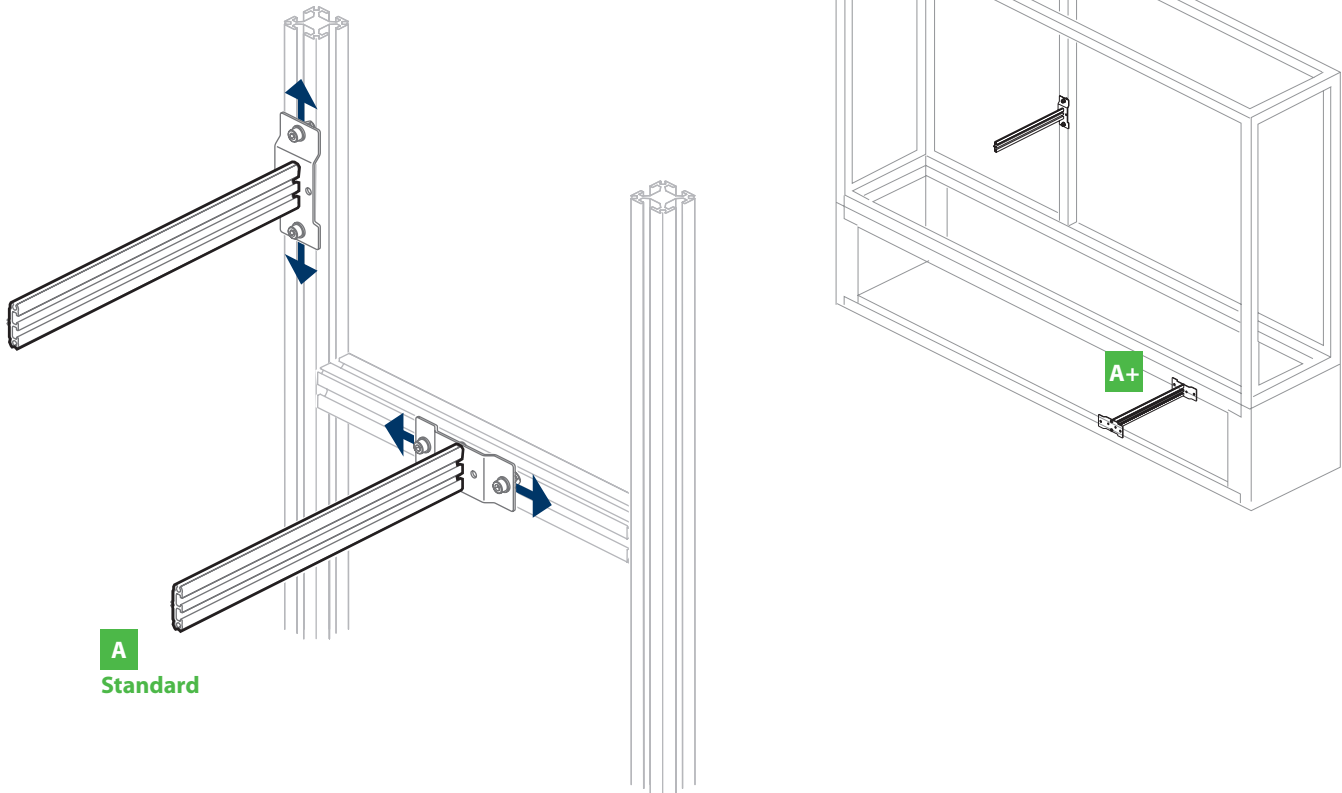
- Complete with mounting material



Type of cable clamp plate	W x D x H in mm	Mounting on	Article number
A With profile braces 40	278 x 15 x 273	Profile brace 40	70.0081.78.00
B With spacer +/- 45 mm	400 x 45 x 290		70.0889.01.00
With spacer +/- 35 mm	400 x 35 x 290		70.2025.05.00
C Mounting on one side	360 x 12 x 182		70.2060.12.00

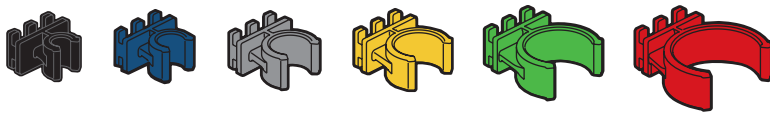
Clip rail system

- Complete with mounting material

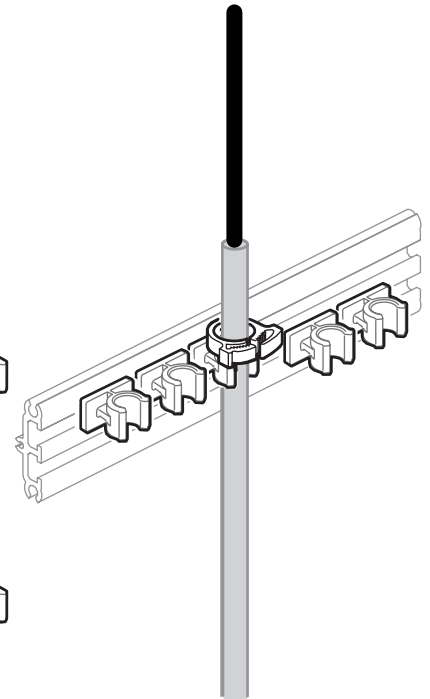


Type	Max. number of clips	Length of rail	Mounting on	Article number
A Standard	18x single-row, 35x double-row up to \varnothing 7 mm	308 mm	Profile brace 40	70.1959.13.00 70.1959.13.00E1 Retrofit kit
A+	18x single-row, 35x double-row up to \varnothing 7 mm	313 mm	Between braces	70.0081.84.00

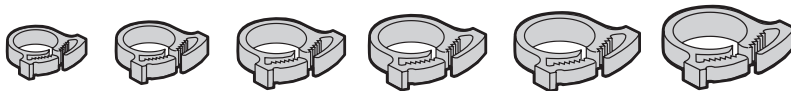
Kit with clips



Clip for ϕ in mm	Colour	Piece	Article number
5	Black	50	70.1959.17.00
7	Blue	50	70.1959.14.00
10	Grey	50	70.1959.15.00
12...14	Yellow	50	70.1959.16.00
16	Green	50	70.1959.20.00
20	Red	50	70.1959.22.00



Kit with strain relief elements



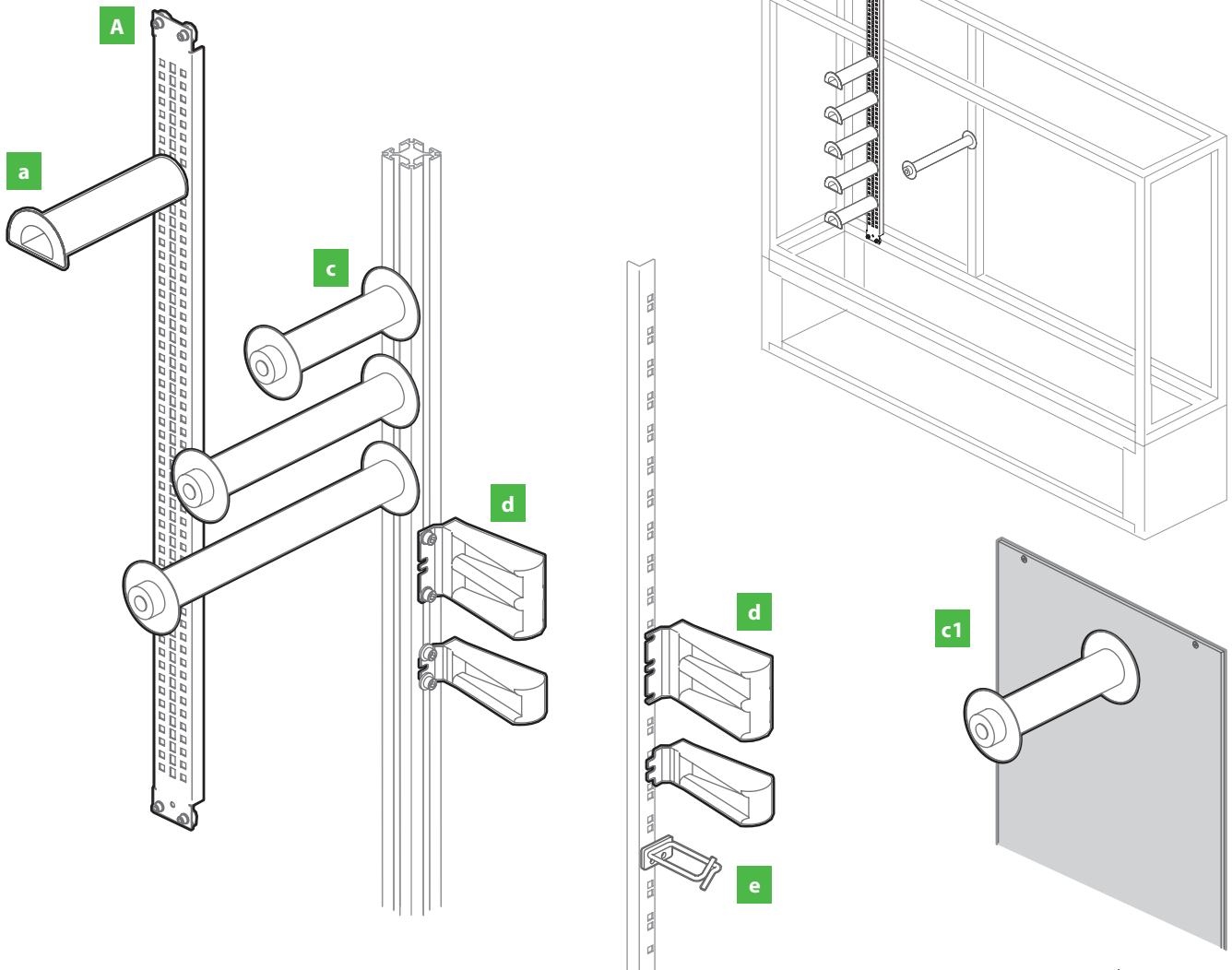
Snapper for ϕ in mm	Tensile strength with clip in N	Piece	Article number
7	> 70	50	59.2380.20.00
10	> 100	50	59.2380.22.00
12	> 120	50	59.2380.21.00
14	> 140	50	59.2380.23.00
16	> 160	50	59.2380.24.00
20		50	59.2380.25.00

Kit with end plates

End plate	Piece	Article number
Kit end plate	10	70.1959.18.00



Cable guide



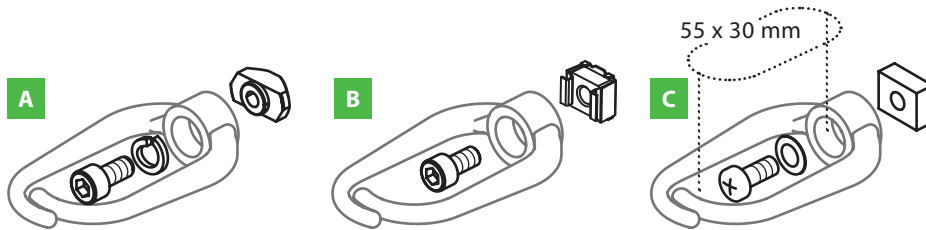
Type	Mounting on	Mounting material	Article number
A Spindle mounting rail A	Profile brace 40	•	70.1253.12.00 70.1965.10.00

Type	R in mm	Usable in mm	Mounting on	Mounting material	Article number
a Spindle A	30	Length 217	Spindle mounting rail A	•	54.6200.16.00
c SICHERT spindle for profile brace		Length 320 Length 260 Length 170	Profile brace 40	•	70.0080.97.00 70.0080.98.00 70.0080.99.00
c1 SICHERT spindle for mounting plate	20	Length 320 Length 260 Length 170	Mounting plate with thickness 1...10 mm	•	50.0111.30.00 50.0111.20.00 50.0111.10.00
d Fibre guiding element 2 U	7	120 x 54	19" rack (standard) Profile brace 40	- •	54.6212.10.04 70.2518.11.00
Fibre guiding element 1 U	7	120 x 27	19" rack (standard) Profile brace 40	- •	54.6212.10.09 70.2518.12.00
e Wire guide ring (galvanized steel)	2	60 x 29	Profile brace 40 or rack	-	54.4218.05.01

Wire guide ring

■ With mounting material

RAL 7038	200 DA	PA6 GF30
-------------	-----------	-------------

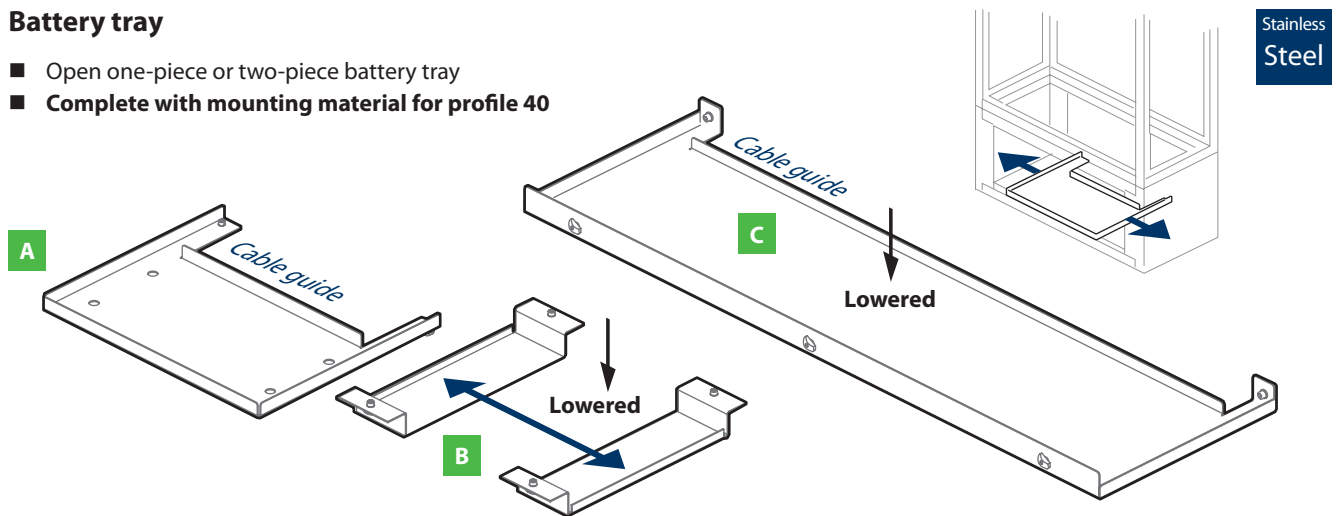


Type	Mounting on	Piece	Article number
A Wire guide ring made of plastic	Profile 40 (M6)	1	70.0080.44.00
		50	70.0080.62.00
B	Rack □ 8.3 x 8.3 mm (M6)	1	70.0080.60.00
		50	70.0080.61.00
C	Standard mounting C rail (M6)	1	59.0631.14.00

 Other versions upon request

Battery tray

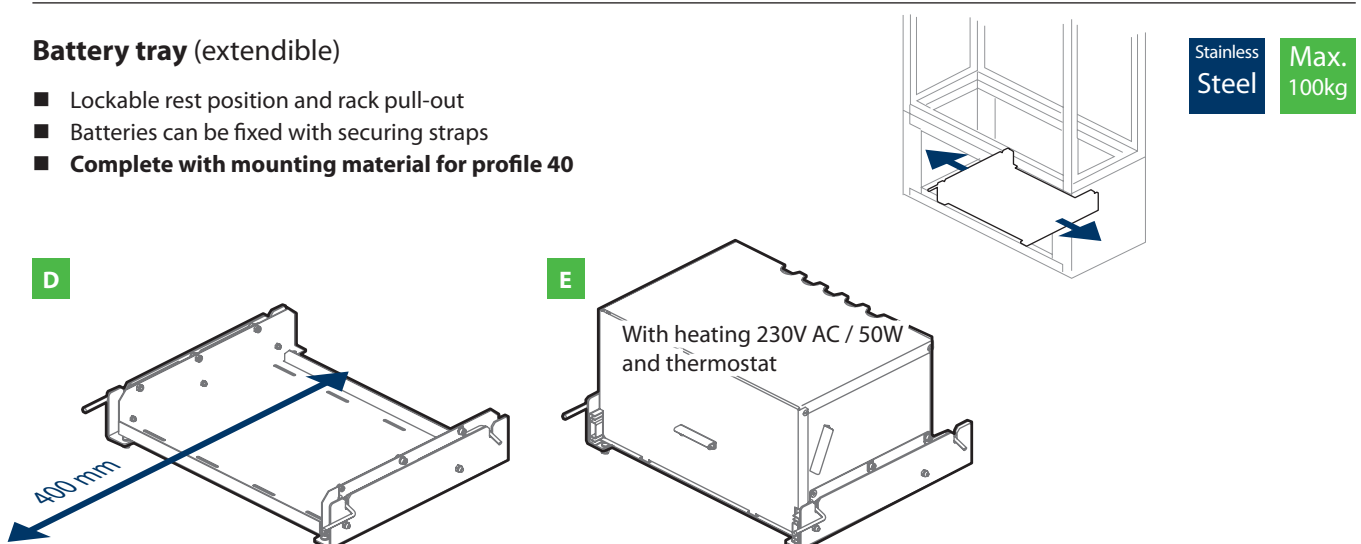
- Open one-piece or two-piece battery tray
- Complete with mounting material for profile 40



Type	Installation width in mm	Placement area W x D in mm	Placement area height (cabinet height) approx. in mm	Cable guide W x D in mm	Article number
A	BG-470	480	473 x 263	390 x 90	70.0801.13.00
	BG-320	519	510 x 321	290 (1600) 140 (1450)	70.0801.11.00
	BG-570	570	562 x 392	–	70.1807.19.30
	BG-870	870	862 x 392	–	70.1807.19.40 Entire depth
B	MFG08	>200	>192 x 324	variable	70.1881.15.00
					70.1881.15.00E1 Retrofit kit
C	SiCab 12	1080	1076 x 261	1000 x 56	70.1236.11.00 Entire width

Battery tray (extendible)

- Lockable rest position and rack pull-out
- Batteries can be fixed with securing straps
- Complete with mounting material for profile 40



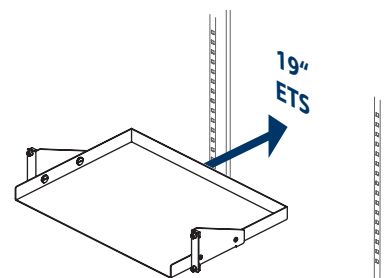
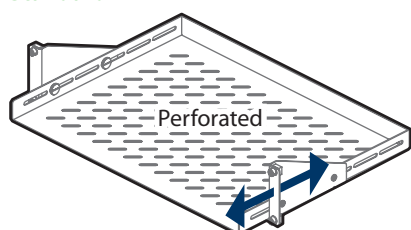
Type	Installation width in mm	Placement area W x D in mm	Placement area height (cabinet height) approx. in mm	Cable guide W x D in mm	Article number
D	Open	550	458 x 350	270 (1600) / 120 (1450)	70.0853.11.00
					70.0853.11.00E1 Retrofit kit
E	Closed	550	444 x 304	220 (1600)	3x ø20,5 + 2x ø25,5 70.0842.02.00

Equipment tray for 19" / ETS rack

- Continuous depth adjustment
- Complete with mounting material for rack

8.3 x 8.3	Stainless Steel	Max. 25kg
-----------	-----------------	-----------

A Standard

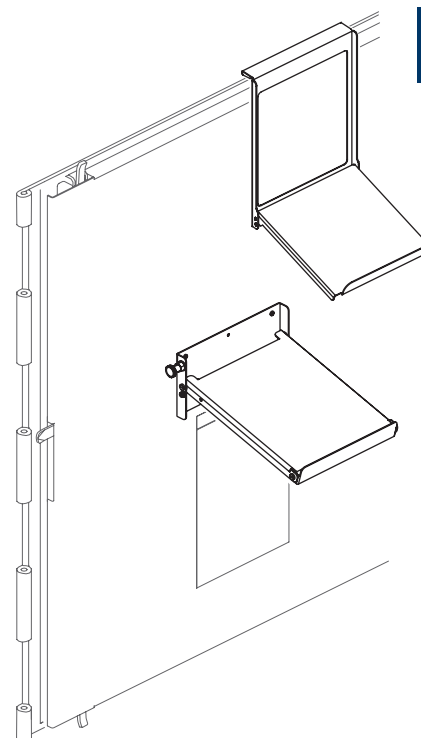
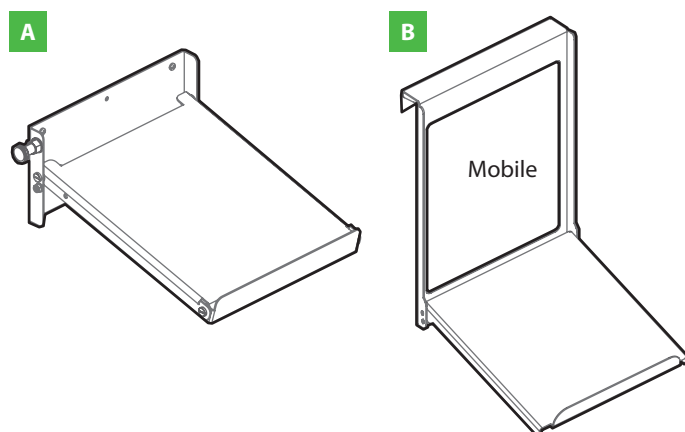


Type	For rack	Installation height	Placement area W x D in mm	Load capacity in kg	Article number
A	19"	2 U	430 x 330	25	54.4125.01.00
	19"	2 U	430 x 230		54.4167.02.00
	ETS	3 SU	480 x 300		54.4125.02.00

Notebook and device holder

- Folding device holder for mounting on the cabinet door

AlMg3	Max. 10kg
-------	-----------

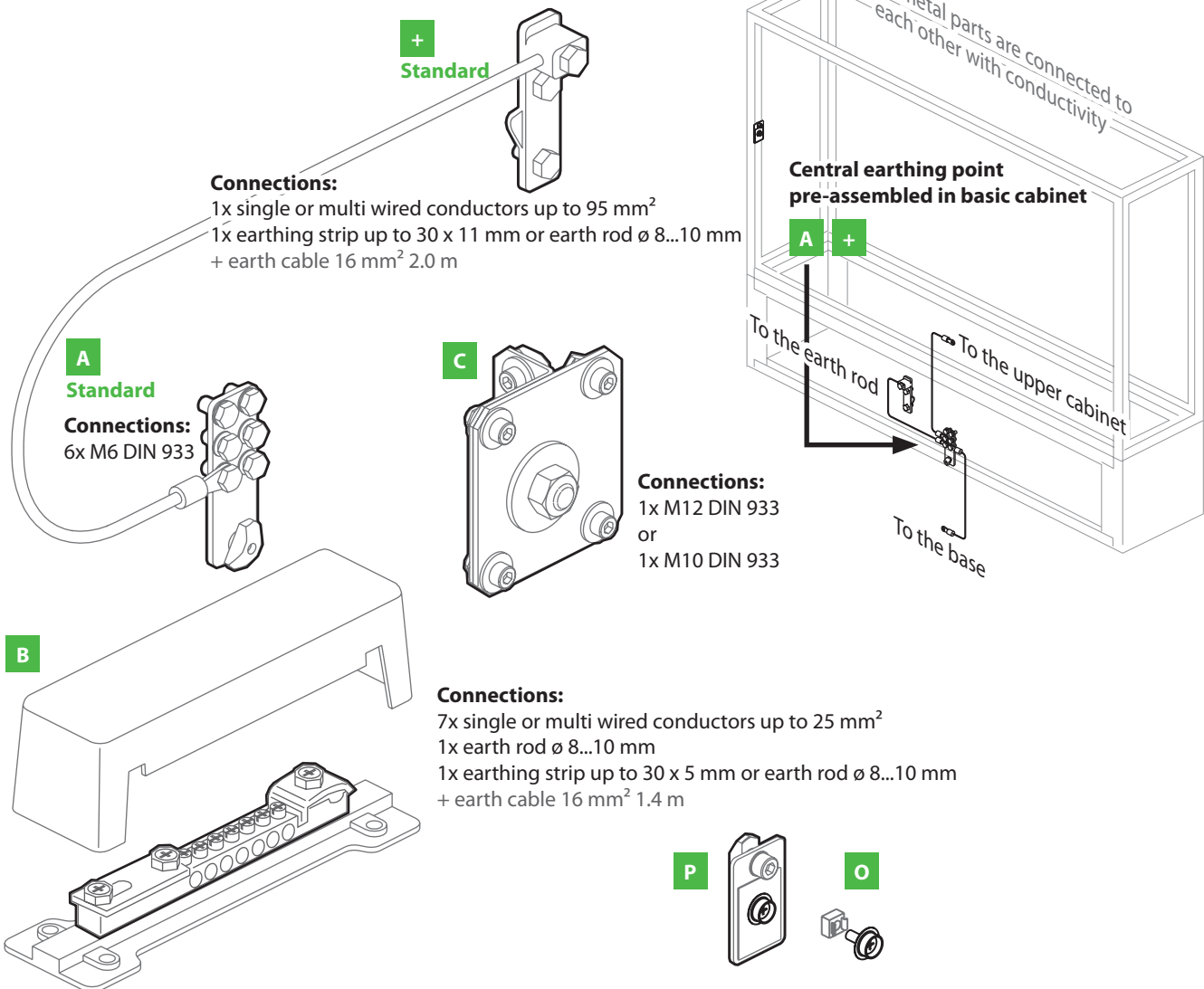


Type	Placement area W x D in mm	Load capacity in kg	Article number
A	290 x 330	10	70.0081.32.00
			70.0081.33.00
B	300 x 350		70.0081.34.00

Retrofit kit

Earth connection

■ Complete with mounting material



Type	Norms	Mounting on	W x H in mm	Material	Article number
A 6-way earth lug		Profile brace 40	26 x 80	Galvanized Steel	70.2500.13.00
+ MFC retrofit kit					70.2500.15.00
B Equipotential bonding bar 1809	Compliance with VDE 0609	Profile brace 40	187 x 48	Brass nickel-plated, galvanized Steel	70.1880.22.00
		Rack □ 8.3 x 8.3 mm			70.0804.11.00
		Rack □ 8.3 x 8.3 mm or profile brace 40			70.0804.11.00E1 Retrofit kit
C Earth bolt M12 Earth bolt M10	Compliance with DIN EN 50164-1, VDE 0185-201, DIN VDE 0618-1 (H)	Profile brace 40	85 x 90	Galvanized Steel	70.0842.17.00
					70.0925.11.00
P Earth bonding point ESD		Profile brace 40		Galvanized Steel	70.1870.12.00 70.1870.12.00E1 Retrofit kit
O Earth bonding point ESD		Rack □ 8.3 x 8.3 mm			70.0801.15.00

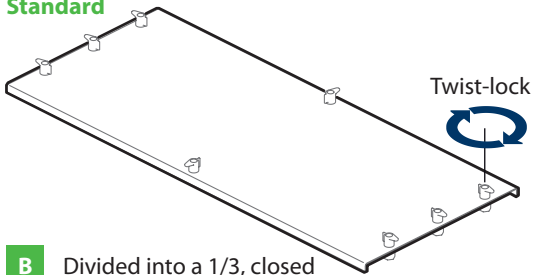
Base plate

- The cabinet can be equipped with base plates (complete with a cable entry system)

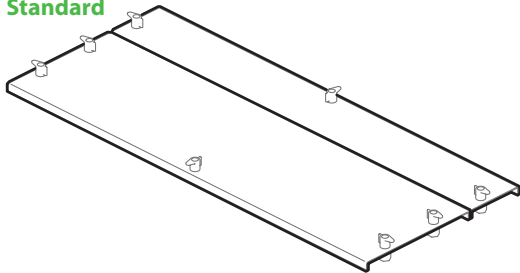
AlMg

Versions (without cable entry system)

- A** Undivided, closed
Standard



- B** Divided into a 1/3, closed
Standard



Upper cabinet
with shield plates
(IP 55)

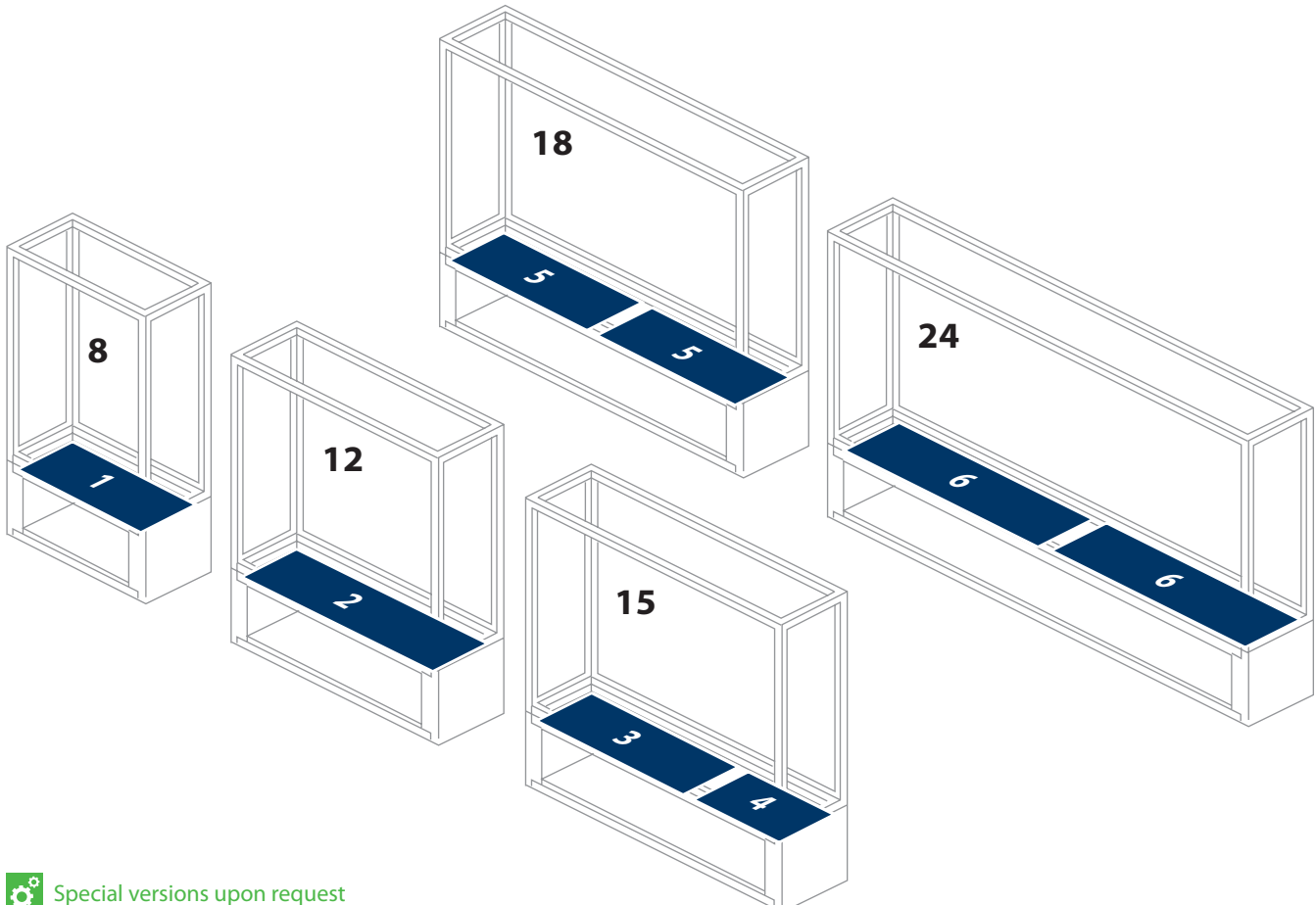
Lower cabinet
(IP 44)

Base plate



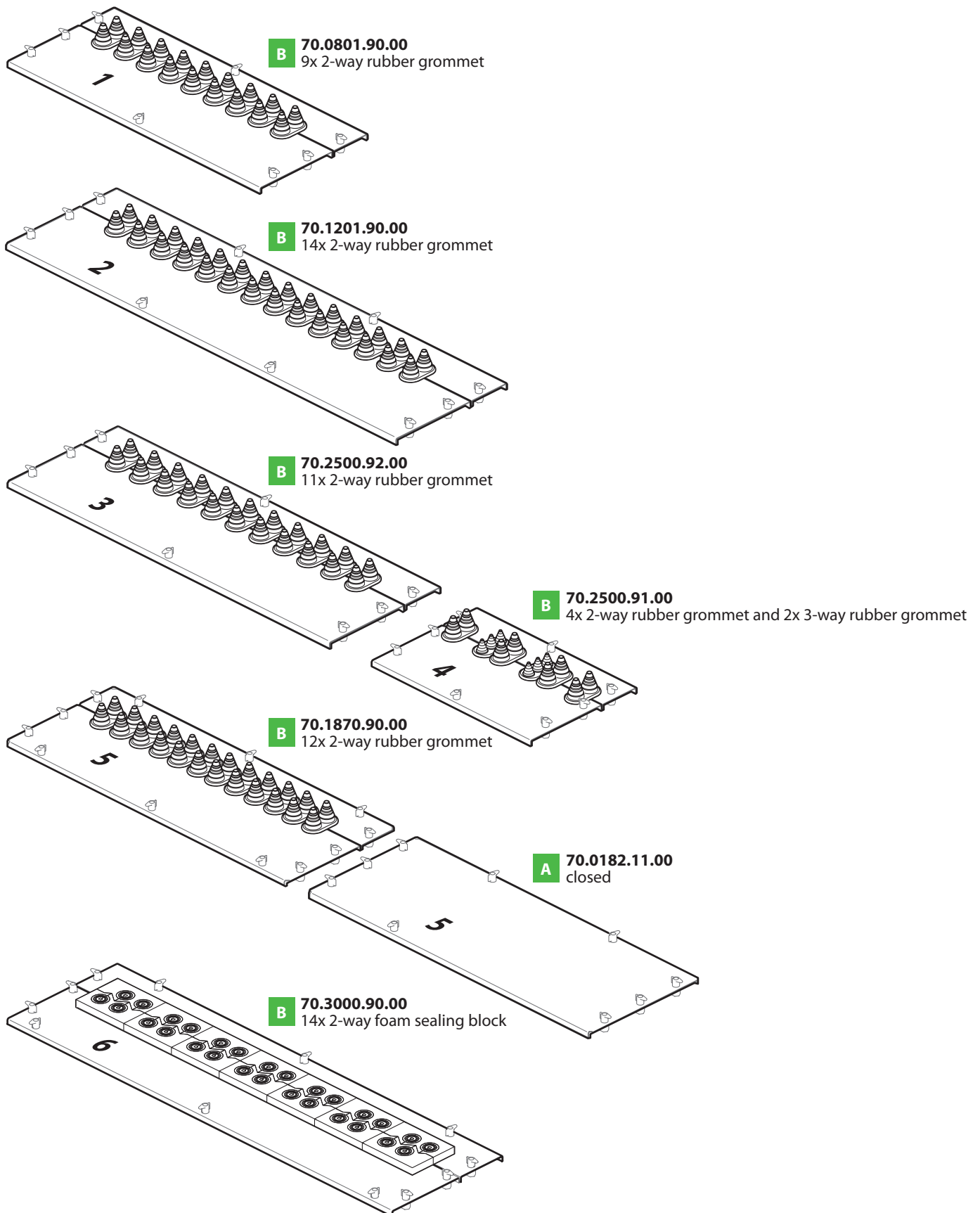
Base plates can be fitted rotated by 180°

Standard dimensions and combinations



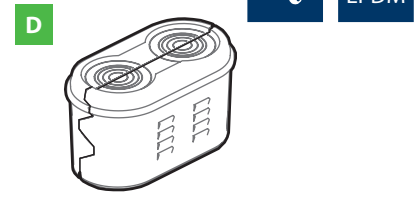
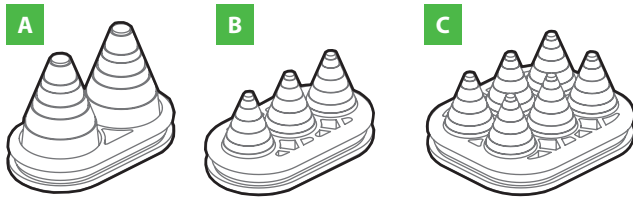
 Special versions upon request

Typical base plates (selection)



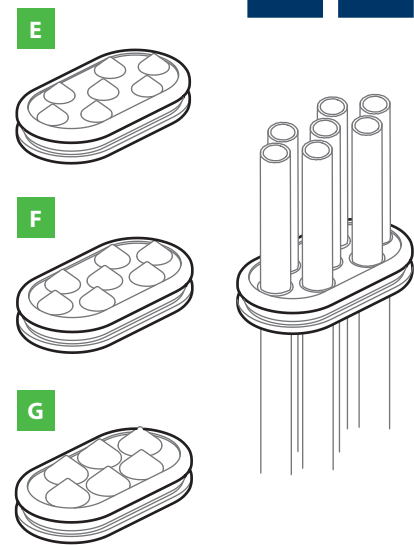
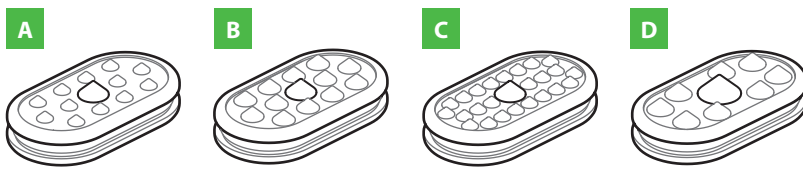
 Customized configuration upon request

Grommet



Type	Sealing area ø in mm	Installation dimensions L x W in mm	Article number
A 2-way rubber grommet	9.5...42	91 x 46	59.0631.00.22 59.0631.33.00 10x
B 3-way rubber grommet	3...25	91 x 46	59.0633.01.02
C 6-way rubber grommet	3...25	91 x 76	59.0712.03.01
D 2-way retrofit grommet (10x)	6.5...33	91 x 46	59.0631.31.00 Separable sealing block

DEG (Duct Entry Grommet)

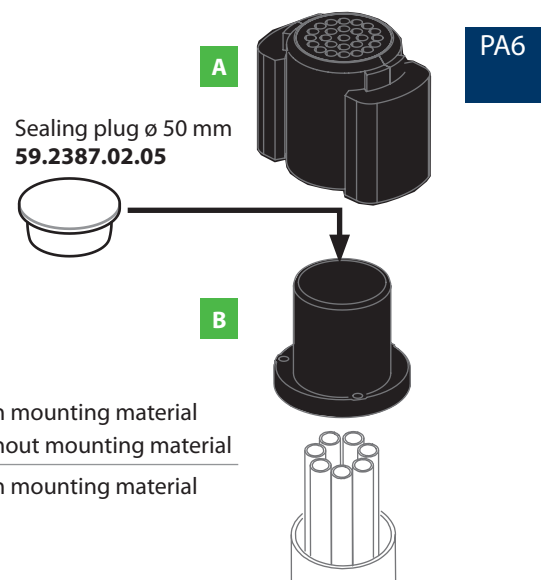


Type	Sealing area ø in mm	Installation dimensions L x W in mm	Article number
A	12x 7 + 1x 14	91 x 46	59.0633.01.03
B	12x 10 + 1x 14		59.0633.01.04
C	24x 7 + 1x 14		59.0633.01.05
D	8x 12 + 1x 20		59.0633.01.06
E	7x 14		59.0633.01.07
F	7x 16		59.0633.01.08
G	6x 20		59.0633.01.09

Single-traction seal

- Separable single-traction seal (gas and watertight up to 0.5 bar)

Part	Sealing area ø in mm	Article number
A EZA-t 50/24x7	24x 7 mm	70.1924.90.13
EZA-t 50/22x7 + 1x12	22x 7 mm + 1x 12 mm	70.1924.90.12
EZA-t 50/12x10	12x 10 mm	70.1924.90.14
EZA-t 50/7x12	7x 12 mm	70.1924.90.15
EZA-t 50/6x14	6x 14 mm	70.2523.90.02
B Cable entry ø 50 mm		70.1924.93.00
Opening blind cover ø 50 mm		70.1290.90.01
Cable entry ø 63 mm		70.1924.94.00

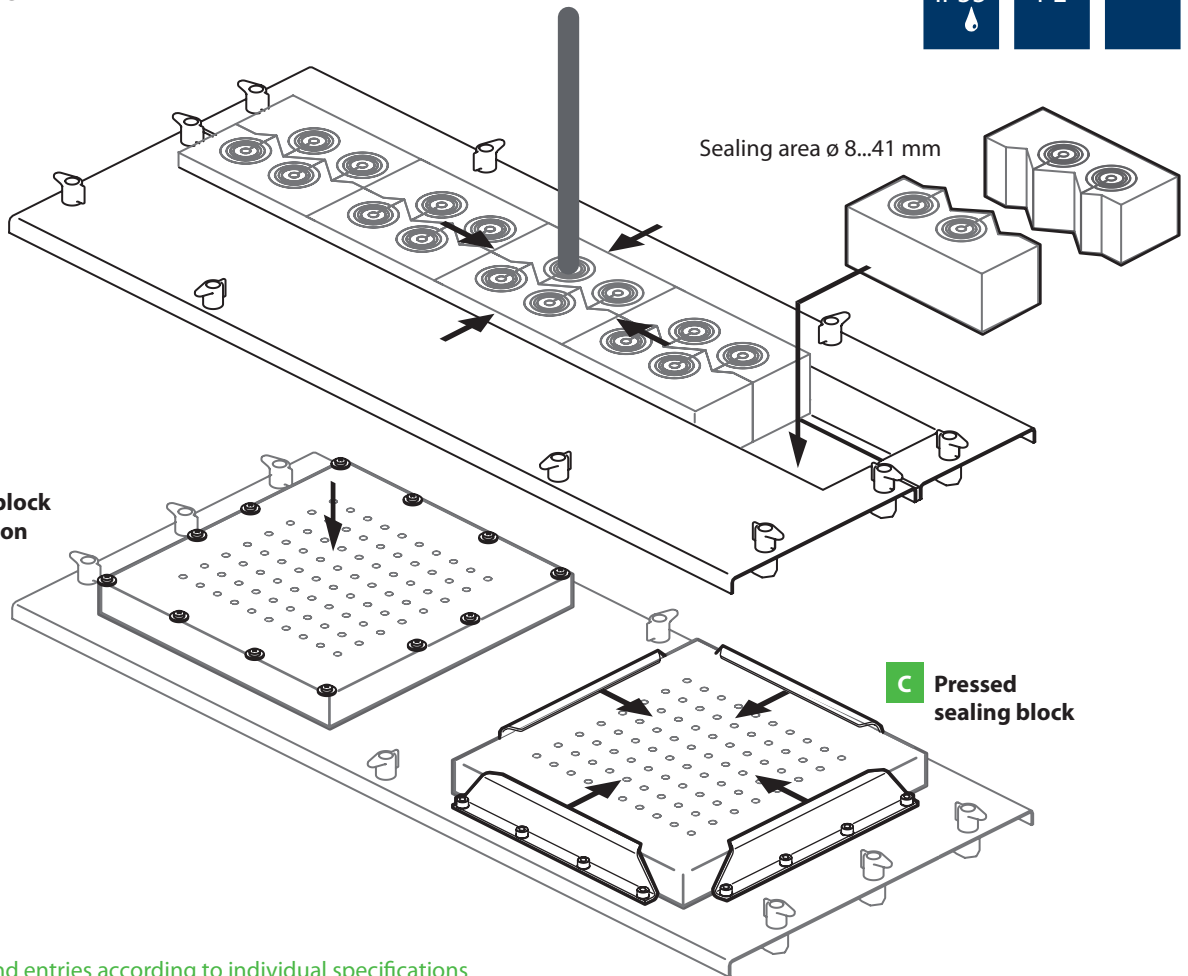


 Other sizes upon request

Sealing block

IP55 PE EPDM

A
Standard
Pressed
sealing block



B Sealing block
screwed on

C Pressed
sealing block

Dimensions and entries according to individual specifications

Cable gland

■ Pressurised water resistant cable entry with tension relief

IP68 PA



Size	Sealing area ø in mm	Cable gland	
		Article number	Lock nut Article number
M12	3.5...6.5	50.8111.10.19	50.8111.10.15
M16	4.5...10	54.0204.02.12	54.0204.02.13
M20	6...13	54.4139.01.02	54.4139.01.03
M25	9...17	54.0204.02.03	54.0204.02.04
M32	13...21	54.6213.10.03	54.6213.10.04
M40	16...28	50.8111.10.20	50.8111.10.16
M50	21...35	50.8111.10.21	50.8111.10.17
M63	34...48	70.2511.90.02	70.2511.90.03

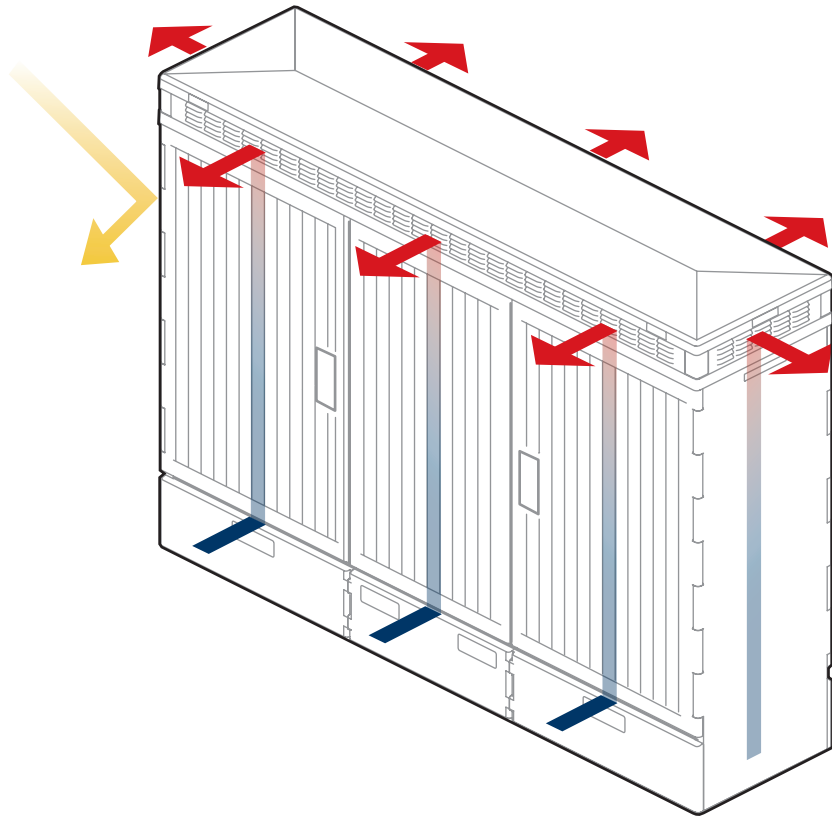
Other sizes upon request

A Passive ventilation

- Heat dissipation with the air circulation between inner and outer cabinet shell („chimney effect“)

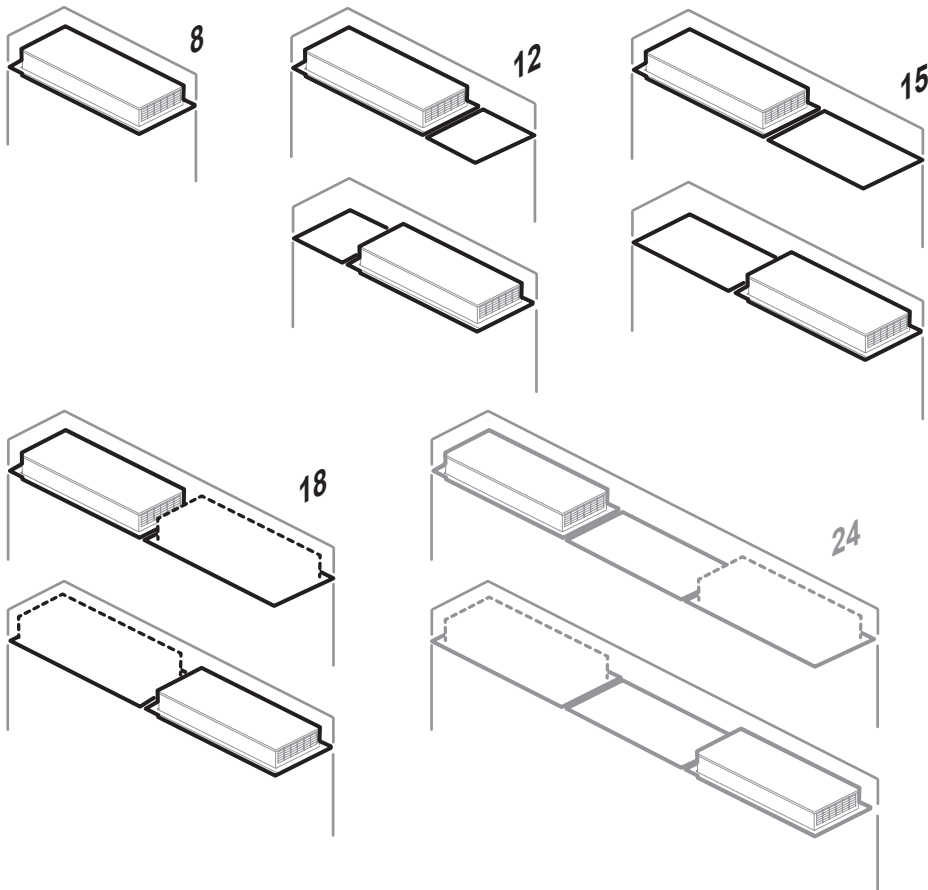
Passive cooling capacity
 W ($\Delta T=25K$)

SiCab 8	250
SiCab 12	350
SiCab 15	450
SiCab 18	500
SiCab 24	

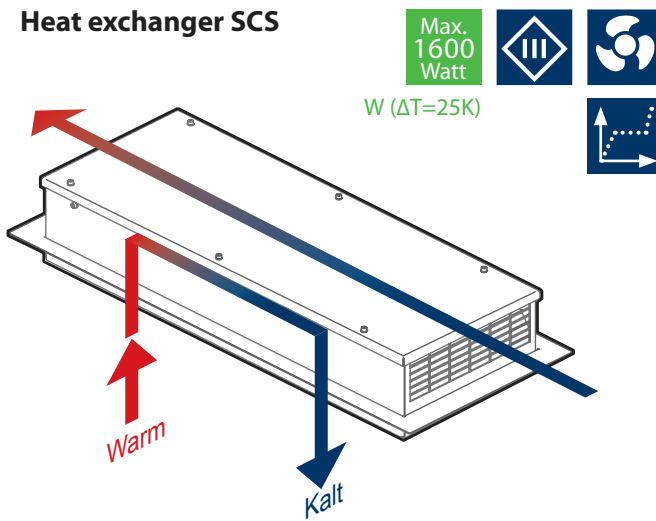


B Active climate control

Standard position and number of climate modules



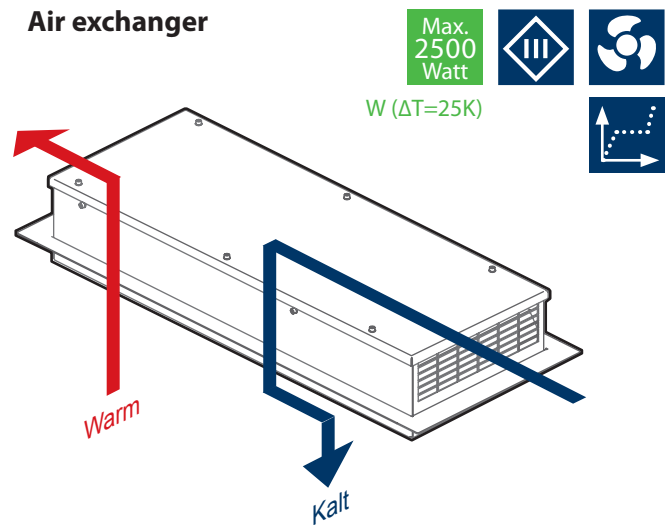
Heat exchanger SCS



- 2 separate air flows (external/internal)
- DC -48 V power supply
- Max. power consumption 90 W
- Temperature-controlled using an external sensor
- **Programmable control characteristic**
Standard characteristic curve for treatment areas and hospitals
- Connections for NTC sensor, programming, alarm 1+2
- **Complete installation set**

For SiCab	Number of modules	Article number	
8	1	70.0870.31.00	
		70.0870.31.00E2	Retrofitting
		70.0870.30.00E2	With roof module
12	1	70.1270.31.00	
		70.1270.31.00E2	Retrofitting
		70.1270.30.00E2	With roof module
15	1	70.2500.80.00	
		70.2500.80.00E1	Retrofitting
18	1	70.1890.41.00	
		70.1890.31.00E2	Retrofitting <u>1st module</u>
		70.1890.30.00E2	With roof module
	70.1890.32.00E2	Retrofitting <u>2nd module</u>	
	70.1890.28.00E2	With roof module	
	2	70.1890.43.00	
70.1890.33.00E2		Retrofitting	
70.1890.29.00E2		With roof module	
24	(on request)		

Air exchanger



- Fan with integrated filter cassette
- DC -48 V power supply (max. power consumption 50 W)
- Temperature-controlled using an external sensor
- With feature filter monitoring with differential pressure sensor
- **Programmable control characteristic**
(characteristic curve upon request)
- Connections for NTC sensor, programming, alarm 1+2
- **Complete installation set**

For SiCab	Number of modules	Article number
8	1	70.0870.36.00
		70.0870.36.00E1
12	1	70.1270.36.00
		70.1270.36.00E1
15	1	70.2500.82.00
		70.2500.82.00E1
18	1	70.1890.39.00
		70.1890.39.00E1
	70.1880.38.00	<u>2nd module</u>
	70.1880.38.00E1	Retrofitting <u>2nd module</u>
2	2	70.1890.40.00
		70.1890.40.00E1
24	(on request)	

Accessories and spare parts

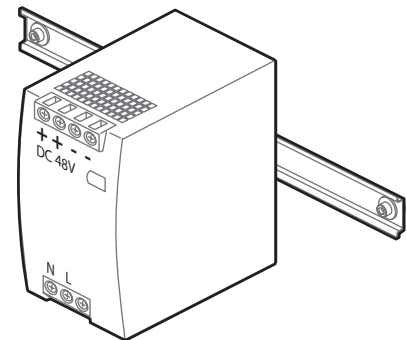
Component	Heat exchanger SCS	Air exchanger	Article number
Module Air exchanger with cables and seal set		•	70.1880.39.00E1
Module Heat exchanger SCS with cables and seal set	•		70.1880.46.00E1
Seal set (after changing modules or retrofitting)	•	•	70.1890.36.00
Cable set with alarm cable, temperature sensor, fan cable 48V	•	•	70.0010.18.00
Set for variable module positioning (SiCab 18)	•	•	70.1882.35.00
Test potentiometer (NTC simulation) for checking functions	•	•	70.1880.32.10
Cassette filter set with F6 cassette filter and G3 filter mat		• (old)	70.1880.38.10
Replacement filter set with outlet filter G3 and panel filter		• (new)	70.0020.20.00

Switching power supply AC 230 V or DC 48 V

- Operation of a climate module (DC -48 V) or other appliances on AC 230 V power supply
- **Complete with support rail (70.0080.55.00)**



Type	Max. power	Switching power supply W x H x D in mm	Article number
For 1x climate module	240 W / 5 A	60 x 124 x 117	70.0081.25.00
For 2x climate module	480 W / 10 A	82 x 124 x 127	70.0081.26.00

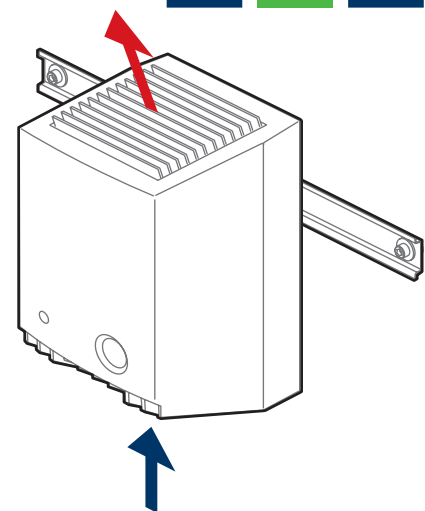


Heater module with thermostat

- Fan heater with setting range thermostat 0°...+60°C
- **Complete with support rail (70.0080.55.00)**



Type	Heating capacity	Module W x H x D in mm	Protection class	Article number
CR 027 semiconductor fan heater	550 W 220...240 V AC 50 Hz / 13A	100 x 165 x 124	II (IP 20)	70.1928.11.00

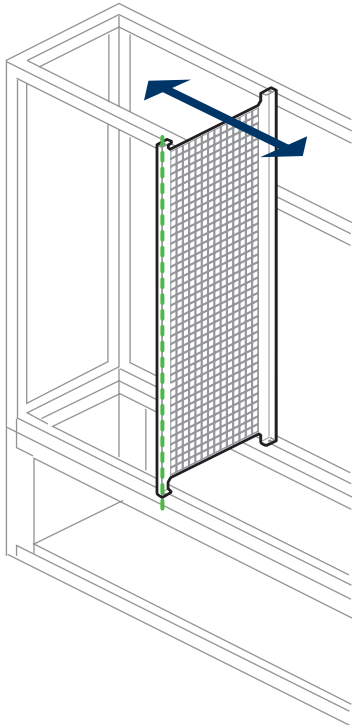


 Protection against noise

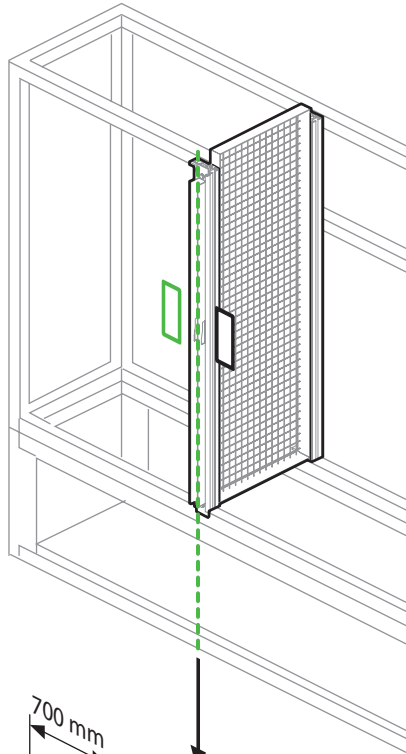
TA Lärm	Maximum noise level		Comparability	Typical noise level dB(A)
	dB(A) day	dB(A) night		
Industrial zones	65	65	Vacuum cleaner	70
Commercial zones	65	50	Normal conversation	55
Central, village and mixed areas	60	45	Heavy rain	50
Residential / small residential areas	55	40	Quiet residential street at night	40
Residential areas	50	35	Whispering, ticking clock	30
Treatment areas, hospitals	45	35	Rustling leaves	20

Area divider for inner cabinet (possible ex-works)

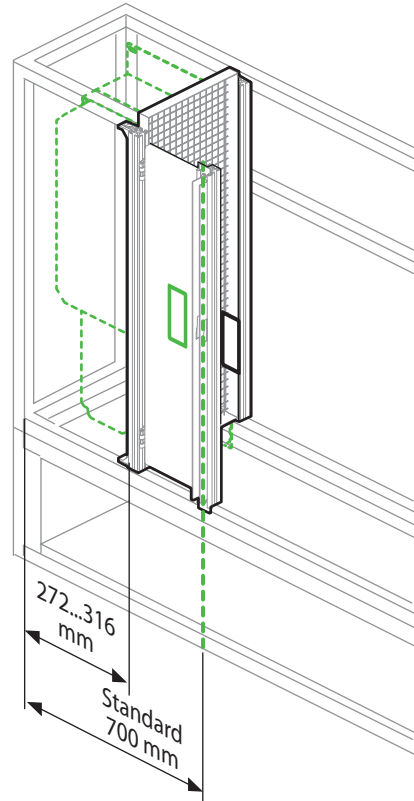
A Variable partition grid



B Partition grid at door partition



C Partition grid with cover up to door partition



 Front panel optionally separable

Type	For cabinet size	Article number	
A	8, 12, 15, 18	70.2110.50.00	Standard
		70.0971.12.00	For cabinets with door 400 mm
B	12, 15, 18 (alle 2-türig)	70.0120.52.00	
	12, 15, 18 (alle 4-türig)	70.0120.53.00	
	8 (2-türig)	70.0971.12.00	
C	12, 15, 18	(on request)	

Extended access and area divider

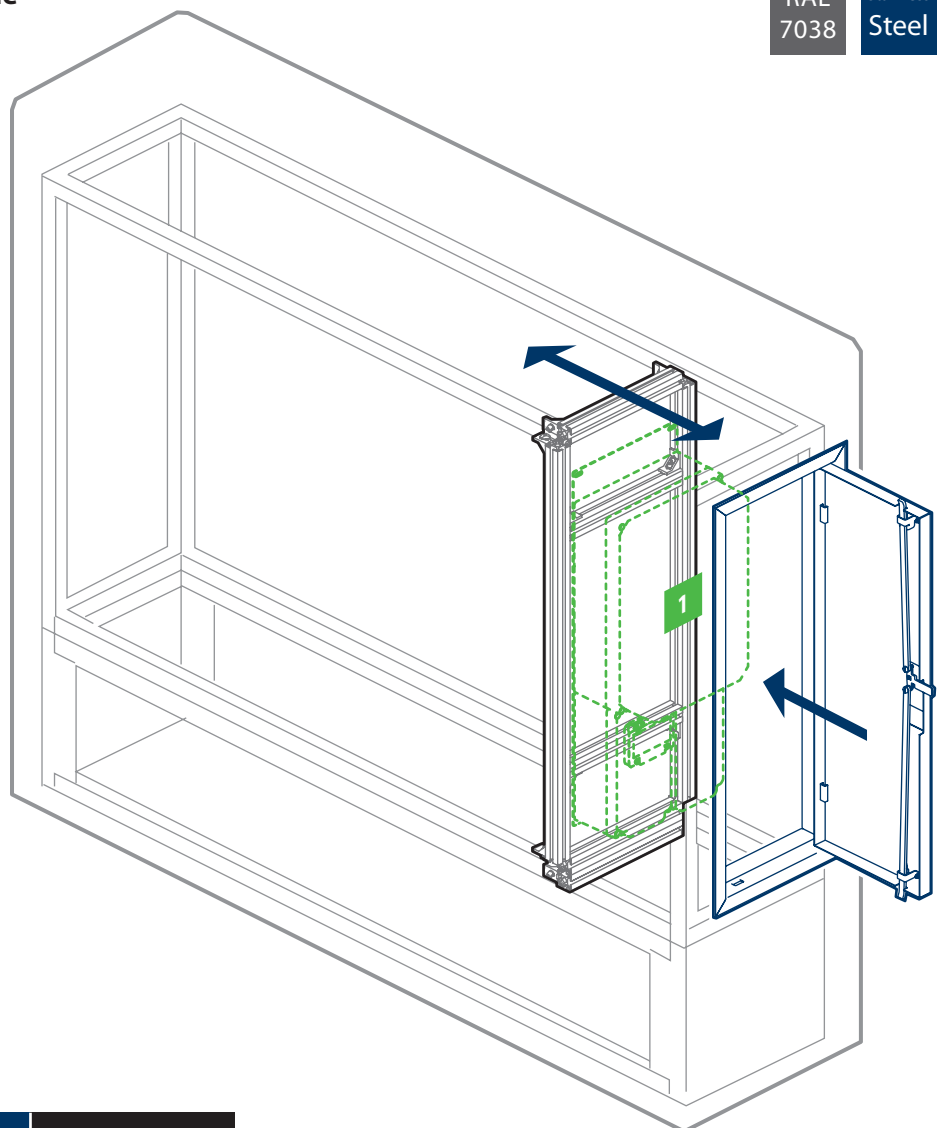
Extended access (possible ex-works)

 On request for all cabinets


Additional access from the side

- Side door with double locking system swivel arm lock
- Complete with bulkhead partition as area divider

RAL 7038 Stainless Steel



Mounting set for
power supply unit **1** (M6)
70.0080.38.00
(4 piece)



Für Gehäusegröße

8, 12, 15, 18 (cabinet height 1600 mm)

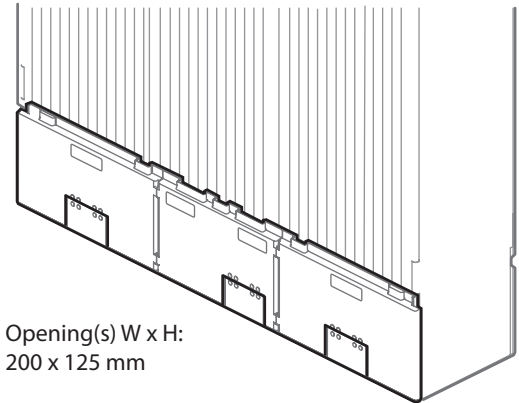
Article number

70.2520.34.00

70.2520.34.00E1 Retrofit kit

Front panel with cable feedthrough opening

For cabinet height (Standard in mm)	Number of openings	Article number
8 (1600)	1x	70.0800.43.00
12 (1600)	2x (left + right)	70.1200.35.00
15 (1600) wide door, left	2x (left + right)	70.2500.55.00
15 (1600) wide door, right	2x (left + right)	70.2501.55.00
18 (1600)	2x (left + right)	70.1800.35.00
18 (1600)	3x (left + middle + right)	70.1800.38.00



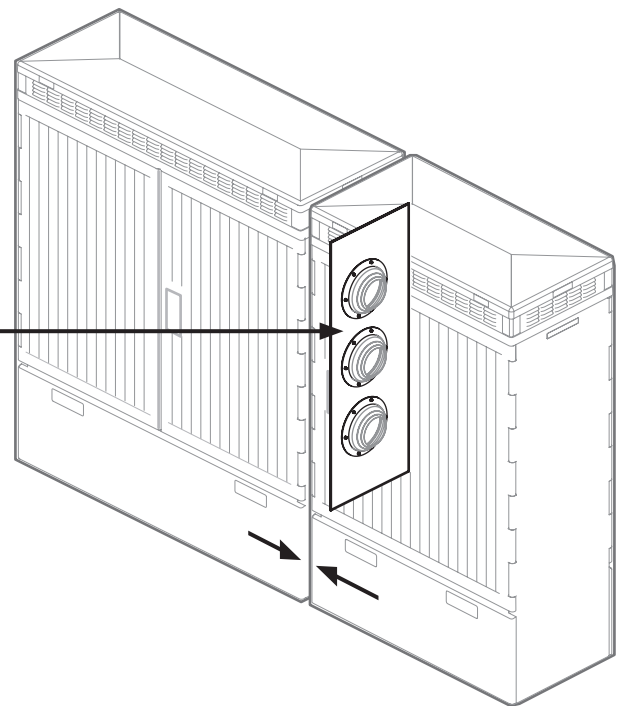
Opening(s) W x H:
200 x 125 mm

Cable crossover (retrofit kit)

- Complete set for 2 cabinets side-by-side

For cabinet size	Entries	Article number
Cabinet height standard 1600 mm	3 x ø 125 mm	70.0081.77.00

3x PP pipe
ø 125 mm



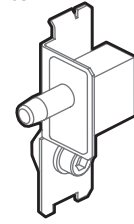
Door contact

- Complete with mounting material for profile brace 40

Installation dimensions for switch
W x H: 13.8 x 28.5 mm

Stainless
Steel

Type	Set with	Switching capacity	Article number
Door contact complete	Bracket, switch Cherry E69-00A, 3x control line and mounting material	10 A / 250 V AC	70.1807.17.00 70.1807.17.00E1 Retrofit kit

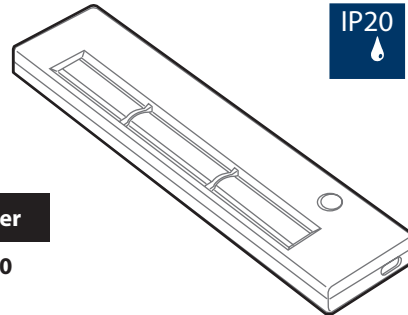


Inner cabinet lighting

- Fitted light, magnetic on bracket
- Complete with power cable, 19" bracket and mounting material for rack (□ 8.3 x 8.3 mm) and profile brace 40

IP20
230 V
AC
G5
8 W

Lamp	Power	Protection class	Article number
G5 fluorescent lamp	8 W / 230 V AC	II (IP 20)	70.1288.01.00



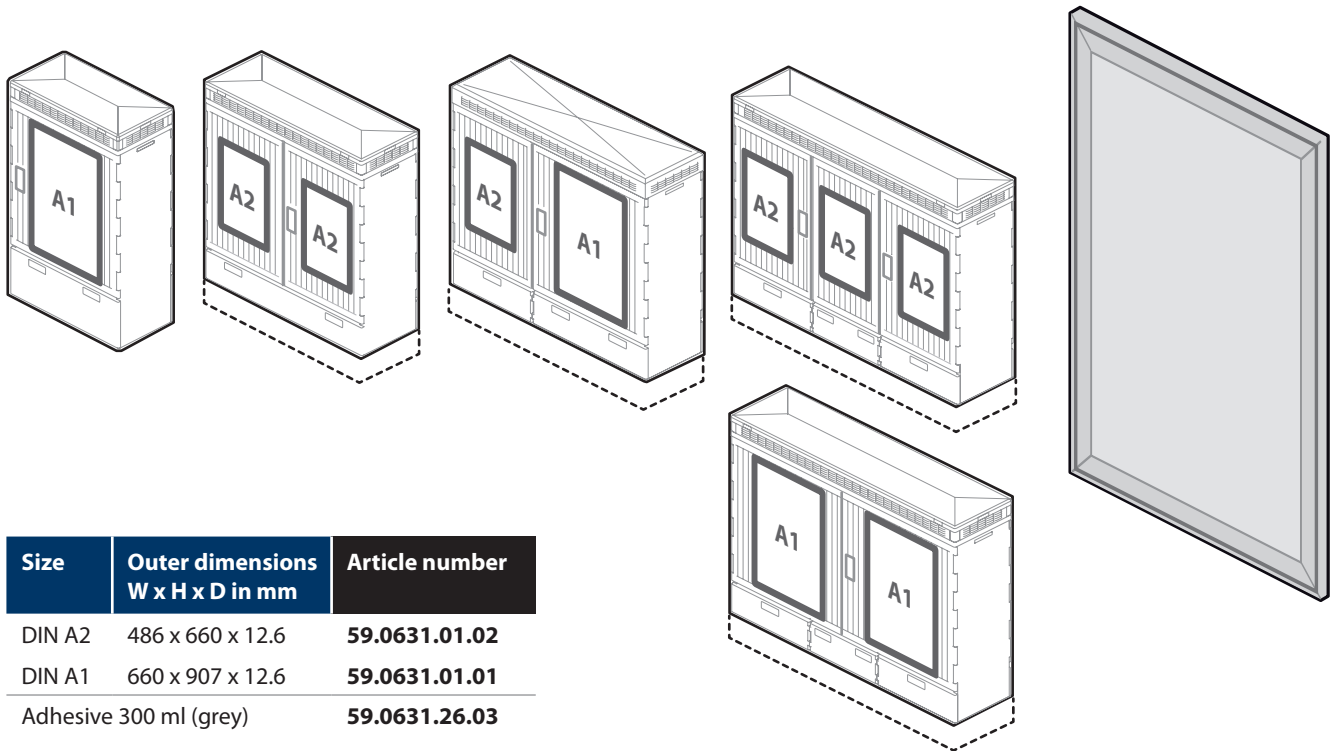
 Other version upon request

Hinged frame



AI

- Weather proof hinged frame with UV-stabilised anti-reflex film and waterproof inner pocket

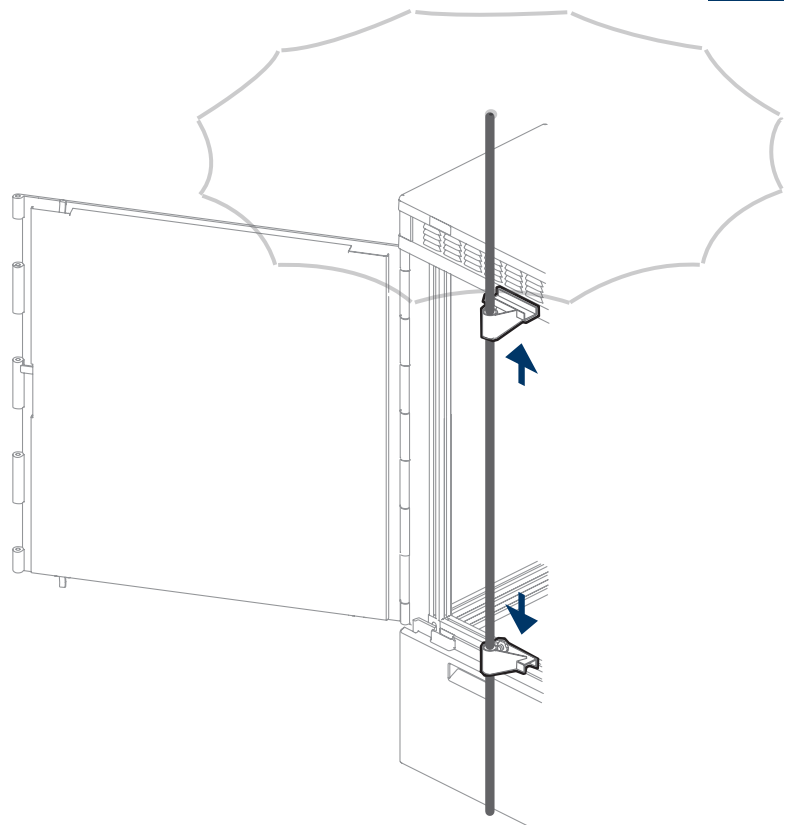
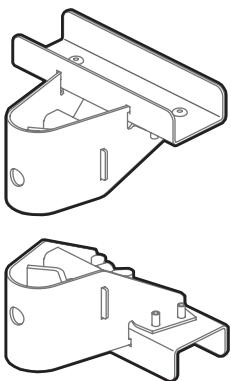


Size	Outer dimensions W x H x D in mm	Article number
DIN A2	486 x 660 x 12.6	59.0631.01.02
DIN A1	660 x 907 x 12.6	59.0631.01.01
Adhesive 300 ml (grey)		59.0631.26.03

Umbrella holder

 Galvanized
 Steel

- Attaching umbrellas (circular pipe diameter max. 45 mm) in the cabinet opening area
- Securely held with locking screws
- Complete set (2 brackets)**

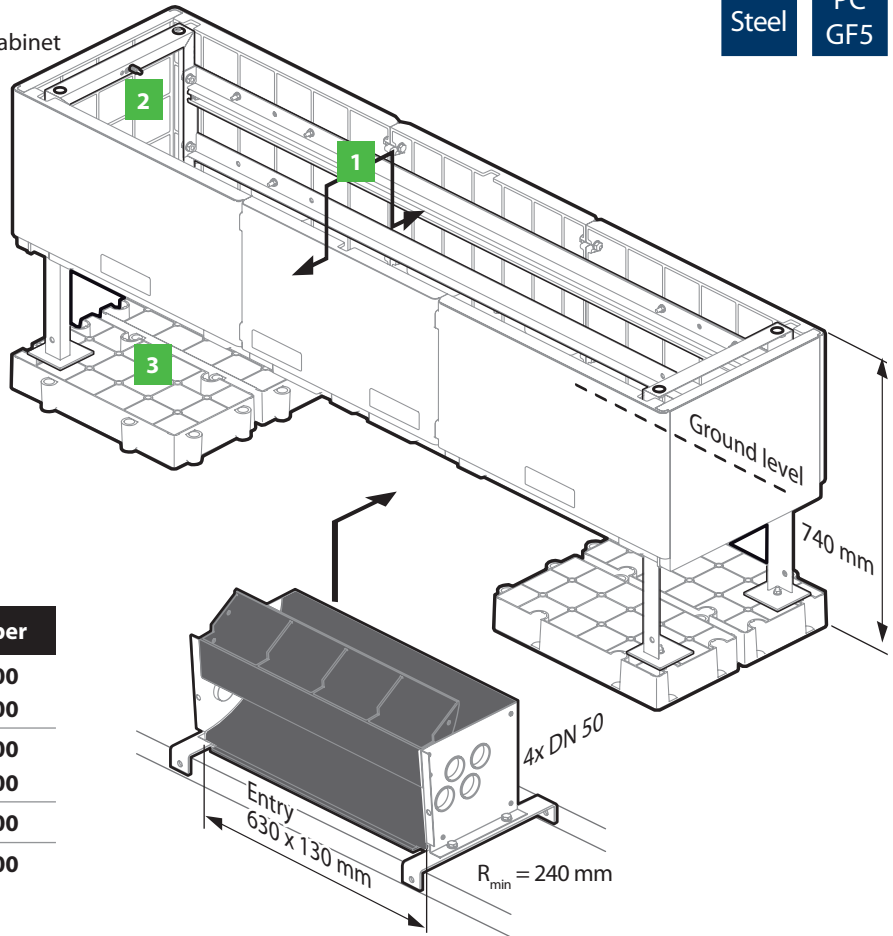


For cabinet size	Article number
All	59.2072.00.00

Base (plinth)



- Plinth acting as the foundation for the cabinet
- Steel frame with plastic panelling
- High structural integrity thanks to equal weight distribution with grid base plates
- **Fixed installation depth**

Galvanized Steel PC GF5



- 1 C rails
- 2 Earth connection M6
- 3 Grid plates (70.0800.00.05)
- 4 Cable guide

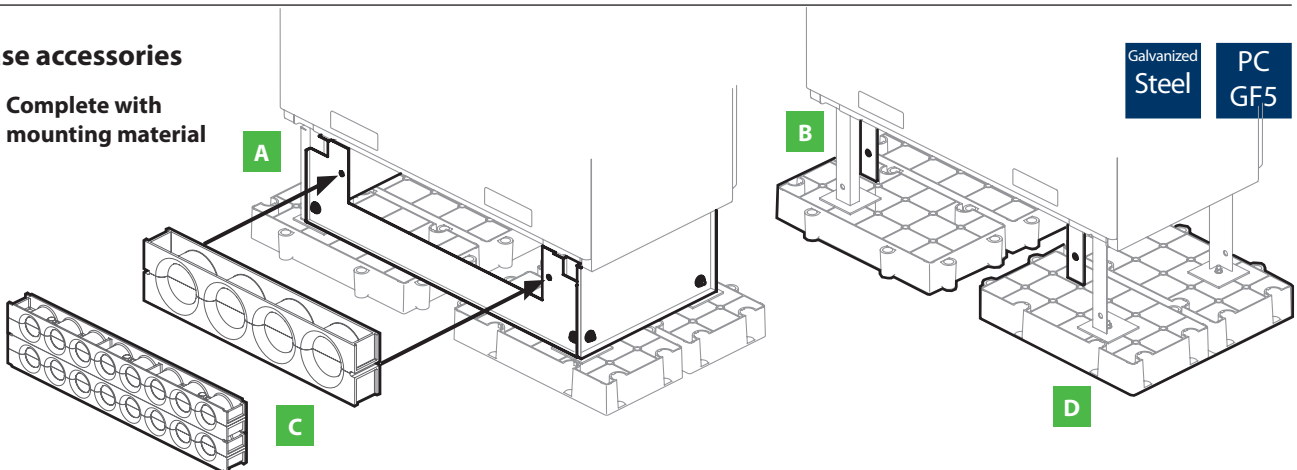
For SiCab	Cable guide	Article number
8	–	75.0812.00.00
	•	75.0813.00.00
12	–	75.1211.00.00
	•	75.1219.00.00
15	–	75.1511.00.00
18	–	75.1811.00.00

-  Height adjustable base upon request
-  Increased base upon request

Base accessories

- **Complete with mounting material**

Galvanized Steel PC GF5



Accessories	For base	Article number
A Cover plates	8	75.0822.00.00
	12	75.1222.00.00
	15	75.1513.00.00
	18	75.1813.00.00
B Mounting set for connection plate	All	75.1810.01.00

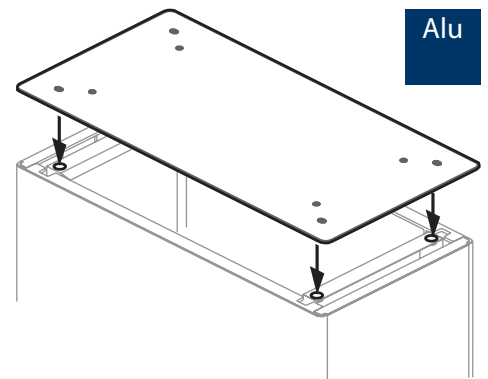
Accessories	For pipe ø in mm	Piece	Article number
C Connection plate for pipes (separable)	4x 102...113	1	59.0251.00.00
	10x 102...113	10	59.1916.00.00
	16x 48...50	1	59.0291.00.00
D Grid plates		10	59.1915.00.00
		Set	75.1810.20.00

Base and mounting frame

Top cover panel

- Sealing the base if the cabinet is not mounted yet
- **Complete with mounting material**

For base	Article number
8	75.0800.40.00
12	75.1200.40.00
15	75.1511.40.00
18	75.1800.40.00

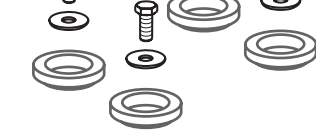


Adapter and mounting sets

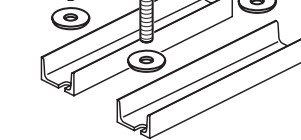
A



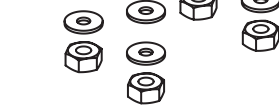
B



C



D

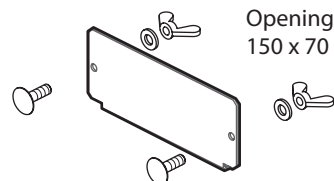


Type of adapter	For cabinet	For base	Piece	Article number
A Shim for adjusting cabinet/base height	All	All	10	70.0000.01.00
B Mounting set (predetermined breaking elements)	SiCab old	SiCab old standard	Set	75.0800.20.00E1 Retrofit kit
C Adapter MFG10	MFG10	SiCab old standard	Set	70.0080.93.00
D Adapter MFG08/10	MFG08/10	SiCab old superstructure	Set	75.0810.01.00

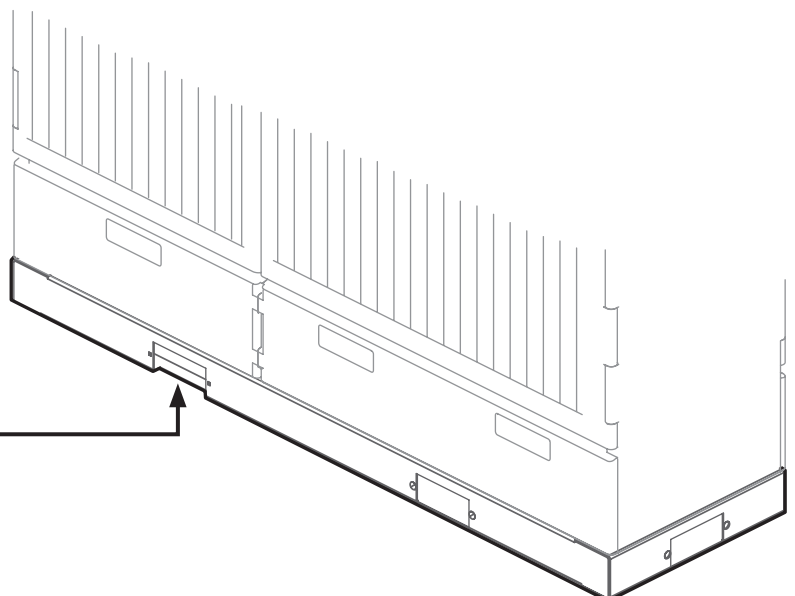
Mounting frame

- Mounting frame for assembling the cabinet without a base
- **Complete with cover plates and 4x anchor M12**

For SiCab	Openings		Article number
	front	side	
8	1	1	70.0088.00.00
12	2	1	70.0128.00.00
15	2	1	70.0158.00.00
18	2	1	70.0188.00.00



Opening W x H:
150 x 70 mm



Stainless
Steel

SiCab Multi-purpose Cabinet

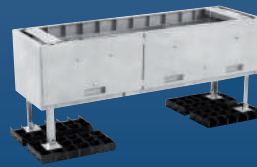
8 | Width: 1000 mm

12 | Width: 1400 mm

15 | Width: 1700 mm

Depth: 500 mm

Height:
1600 mm
or
1450 mm



18 | Width: 2000

24 | Width: 2600

Depth: 500

Height:
1600 mm
or
1450 mm



Berthold Sichert GmbH | Kitzingstrasse 1 - 5 | 12277 Berlin, Germany

Phone: +49 30 74707 0

Fax: +49 30 74707 20

E-mail: Info@Sichert.com

All of the information here is accurate and reliable to the best of our knowledge. However, we give no assurances with regard to its quality. It is the responsibility of the users of our products to decide whether the products are suitable for their intended application. Our product liability is based solely on our sales, delivery and payment conditions. We accept no responsibility under any circumstances for any incidental, indirect damages or resulting damages of any kind. Stand: 6. August 2018, 10:01 vorm.