

MECHANICAL JOINT CLOSURE



- Watertight splice closure for aerial, underground and direct buried splices in the unpressurized copper telecommunication network.
- Robust construction with high mechanical strength.
- Proven gel sealing system:
 - Easy to handle at all temperatures
 - Easy to re-enter.
- Innovative cable fixation system.
- No special tools needed for installations or re-entry.
- Closure uses overcentering 'ski boot' type latches.
- Flexible branching plug system allowing installation of cables from 5pair .5 to 100pair .5.
- Integrated mounting brackets for aerial and wall installation.
- Reduced inventory as fewer size closures needed to cover a wide range of applications up to 100 pairs.
- Both dome-ended and in-line closures are available.
- Cable configuration changes possible with a minimum of extra accessories.
- No shelf life.

MECHANICAL JOINT CLOSURE

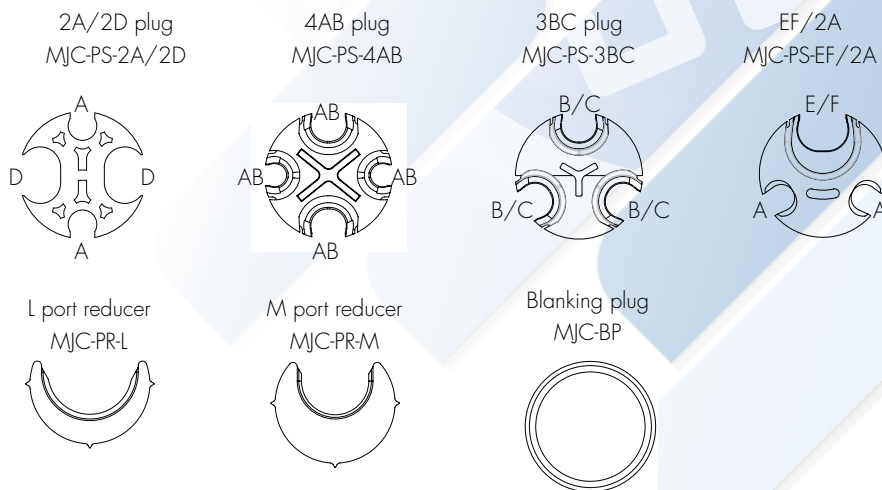
KIT CONTENT

Closure cap-ended or in-line
Cable clamps
Cleaning tissue
Gel tape
Installation Instruction
Measuring tape

OPTIONAL

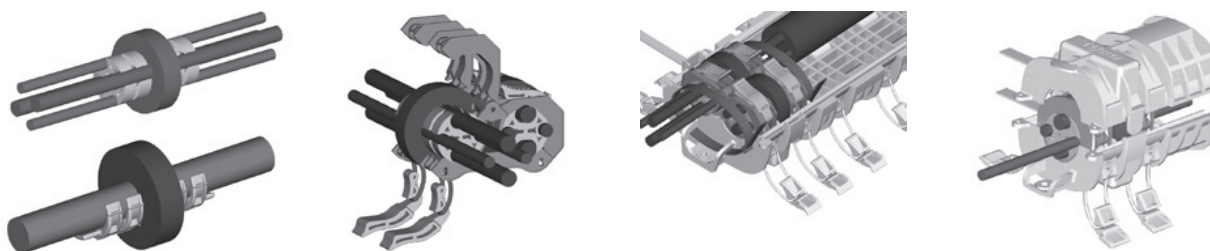
Branching plugs
Blanking plug
Port reducer

DIFFERENT TYPES OF BRANCHING PLUGS



Port	Typical cable
Port A	5 pr.5 mm
Port B/D	10 pr.5 mm
Port C/D	20 pr.5 mm
Port E/F	30 pr.5 mm
Port M	50 pr.5 mm
Port L	100 pr.5 mm cable
Blanking plug	

INSTALLATION STEPS



SIZING/ORDERING INFORMATION (DIMENSIONS IN MM)

Cable diameter range: from Ø 7 mm till Ø 28 mm

Description	Closure type	Max. number of branching plugs	Typical splice volume	Max. splice diameter	Total internal length
MJC-10/20PR-CE	Cap-ended	1	10/20 pair	50	185
MJC-10/20PR-INL	In-line	1 in/1 out	10/20 pair	50	240
MJC-50/100PR-CE	Cap-ended	4	50/100 pair	120	185
MJC-50/100PR-INL	In-line	2 in/2 out	50/100 pair	90x60	370

RE-ENTRY

For cable re-configuration an extra geltape kit MJC-PS-GEL is necessary.