

SPLICE CLOSURE FOR UNPRESSURIZED TELEPHONE NETWORKS

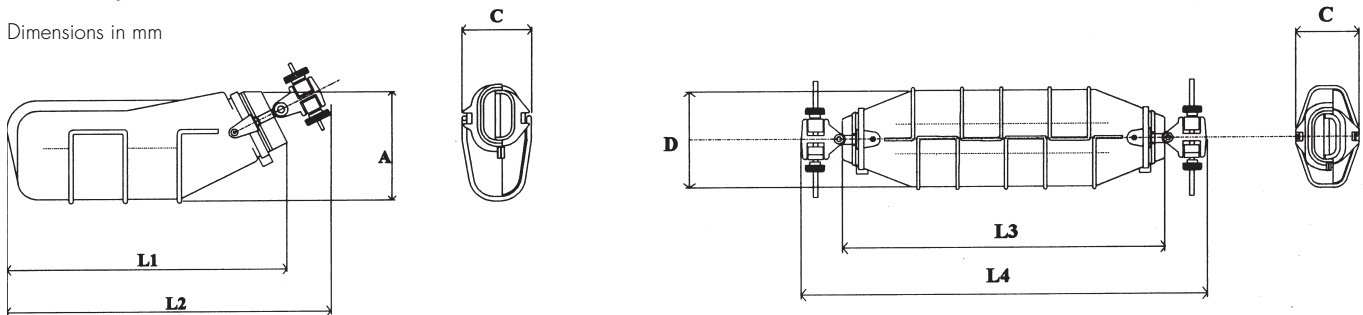
FEATURES

- Prevents water ingress by use of non-flowing gel under permanent compression
- Three sizes are available accommodating joints up to 30 pairs
- Quick, easy to use
- No special tools required to install
- Robust and reliable under a wide variety of environmental conditions
- Many connector types can be accommodated
- Butt, in-line, and branch configurations are possible
- Easy, clean re-entry



SIZING/ORDERING INFORMATION

Dimensions in mm



Raychem Description	Max Cable Ø	Min Cable Ø	Max Splice Opening	Max Splice Capacity	Splice Type	Branching
Gelsnap-A-10/5-80	10	5	80	3 pairs	Butt	Max 2 Cables
Gelsnap-B-14/5-130	14	5	130	10 pairs	Butt In-line	Max 2 Cables at each end
Gelsnap-C-18/5-180	18	5	180	30 pairs	Butt In-line	Max 2 Cables at each end

CLOSURE DIMENSIONS

Dimensions in mm

Raychem Description	L1	L2	L3	L4	A	C	D
Gelsnap-A-10/5-80	130	155	-	-	64	33	-
Gelsnap-B-14/5-130	-	-	225	290	-	33	80
Gelsnap-C-18/5-180	-	-	270	335	-	33	80

KIT CONTENT

The Gelsnap Closure Kit Contains

- Two gel filled half shells
- Gel compression springs
- Tie wraps to confine the gel at each end of the closure
- Strain relief accessories
- Installation instruction