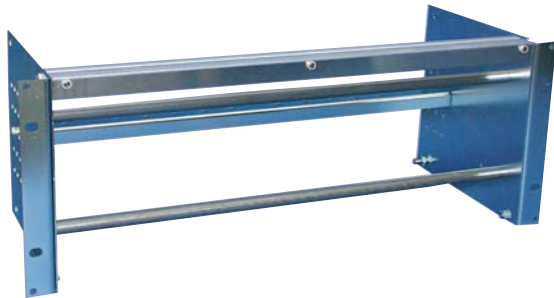
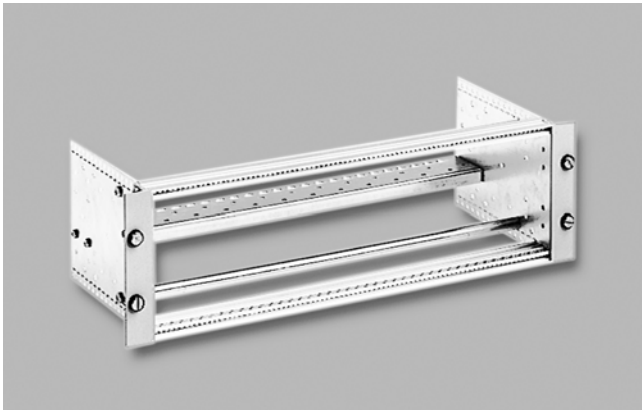


19 inch Subracks for LSA PROFIL system overview

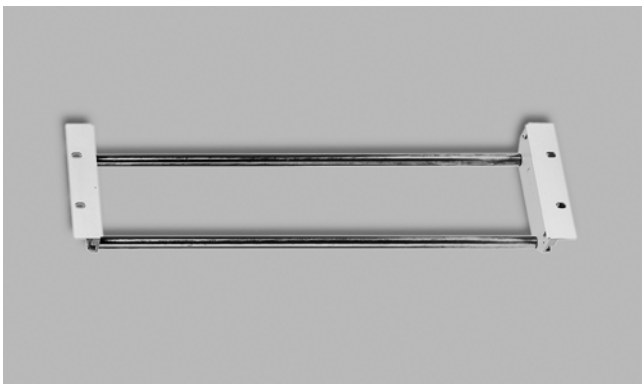
Exclusive CD edition March 2006



ADC
KRUNE



DATA rack



C1 module rack

Subrack, 3U for PROFIL System Applications

- Subrack 19"/3U with profile rods (spaced at 95 mm)
- For setting up small, compact distribution units, e.g. as interface modules

DATA rack:

- Subrack with fixing angles and side walls (surface: galvanised, blue)
- Front panel: powder-coated (RAL 7032), profile rods: blue, galvanised
- Including cable support and perforated rail
- Designed for installation in 19" racks

Delivered as:

Kit

C1 module rack:

- Subrack with fixing angles (fibre-reinforced plastic)
- Profile rods: blue, galvanised
- Earthing set (Order-No: 6690 1 126-00) must be ordered separately
- Designed for installation in 19" racks

Delivered as:

Quick-assembly kit

Usable profile-rod length for all racks:

431.8 mm

Connection capacity:

Maximum capacity	6690 1 300-00 DATA	6690 1 125-00 C1
LSA PROFIL-modules 2/10 or	18	18
LSA PROFIL-modules 2/8-95 or	18	18
LSA PROFIL-modules 2/6 x 3 or	18	18
LSA PROFIL-modules NT or	24	24
TPU-modules	12	12 (for open profile-racks)
LSA PROFIL-modules 2/8 x 3	no	no
Fibre-optic connector modules	no	no

Order data:

Order-No:	Description	Weight/Pack	Pack
6690 1 300-00	DATA rack	2.000 kg	1 piece
6690 1 125-00	C1 module rack	0.350 kg	1 piece

Subrack, 4U, for PROFIL System Applications

- ❑ Subrack 19"/4U with profile rods (spaced at 95 mm)
- ❑ For setting up small, compact distribution units, e.g. as interface modules

Subrack 4U:

This subrack can be particularly used to install LSA PROFIL disconnection modules 2/8 x 3 abs. Installation is possible in 19" and metric racks. The side fixing angles are turned before installation for use with 515 mm mounting dimension (metric).

- ❑ Fixing angle, cable support rail and front panel: sheet steel, blue, galvanised
- ❑ Profile rods: stainless steel

Subrack 4U/with jumper elements:

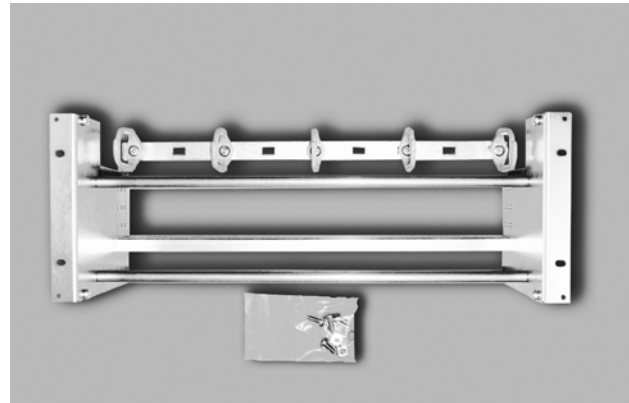
Same version as subrack 4U but with additional 5 plastic jumper elements at the rear of the subrack.

Delivered as:

Fully assembled unit for 19" mounting dimension.

Usable profile-rod length

431.8 mm



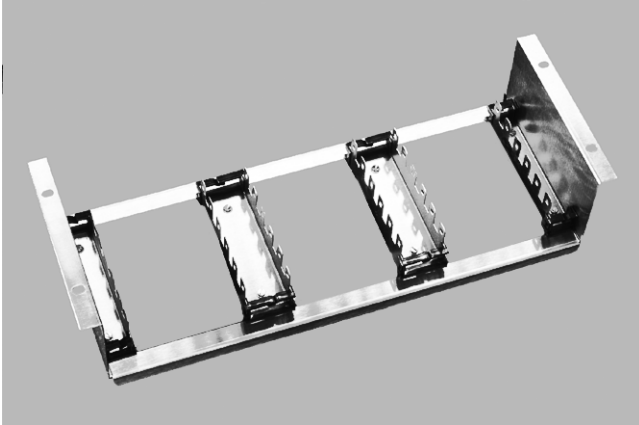
Subrack 4U/jumper

Connection capacity:	Order-No:	Connection capacity			
		with LSA PROFIL disconnection module 2/8 x a-b-s (pitch: 30 mm)		with LSA PROFIL module 2/10 (pitch: 25 mm)	
		Number of modules	Number of 2 Mbps channels	Number of modules	Number of pairs
	6690 1 370-00	14	56	16	160
	6690 1 371-00	14	56	16	160

Order data:	Order-No:	Description	Weight/Pack	Pack
	6690 1 370-00	Subrack 4U/7SU	2.480 kg	1 piece
	6690 1 371-00	Subrack 4U/7SU (with jumper elements)	2.700 kg	1 piece

Subracks for LSA PROFIL System

overview



Subrack 3U for LSA-PLUS

Subrack for installation in the 19" bay for the recessed installation of LSA-PLUS/LSA PROFIL modules 2/10.

A sufficient number of cable guides is included in the delivery

Maximum capacity: 150 pairs
Material: sheet steel

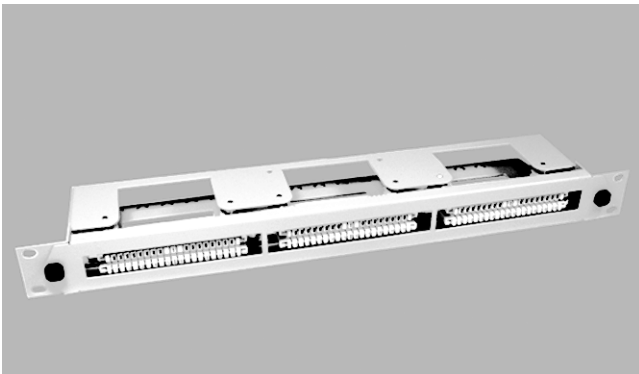
Dimensions: 19" x 3U

Scope of delivery:

1 Subrack (completely assembled), without 19" fixing material

Order data:

Order-No:	Description	Weight/Pack	Pack
6427 1 017-01	Subrack 3U for LSA-PLUS	0.706 kg	1 piece



Subrack 1U for PROFIL System Applications

Subrack for installation in the 19" bay for the setting up of small distribution units.

The subrack is designed for the installation of three LSA PROFIL modules 2/10.

Maximum capacity: 30 pairs
Colour: RAL 7032
Material Subrack: sheet steel
Profile rods: stainless steel

Dimensions: 19" x 1U

Scope of delivery:

2 Subracks without modules or fixing material

Order data:

Order-No:	Description	Weight/Pack	Pack
6974 1 003-08	Subrack 1U for PROFIL system applications	0.884 kg	2 pieces



Internet: www.adckrone.com

For a listing of ADC's global sales office locations, please refer to our web site.

ADC GmbH, Beeskowdamm, 3-11, 14167 Berlin, Germany

Phone: +49-(0)30-8453 1818 Fax: +49-(0)30-8453 1703

ADC Telecommunications, Inc., P.O. Box 1101, Minneapolis, Minnesota USA 55440-1101

Specifications published here are current as of the date of publication of this document. Because we are continuously improving our products, ADC KRONE reserves the right to change specifications without prior notice. At any time, you may verify product specifications by contacting our world headquarters office in Minneapolis. ADC Telecommunications, Inc. views its patent portfolio as an important corporate asset and vigorously enforces its patents.