



Corning® TrueDrop™ Portfolio

New Corning® TrueDrop™ connectors

The new family of TrueDrop connectors offers breakthrough improvements over F compression connectors, giving you less network noise, greater ease of use, and better overall reliability.

- Larger conical mating surface provides better alignment and mating quality with all ports, compared to standard connectors
- Wider sleeve heel provides 360° electrical contact for all cables
- Improved seating prevents O-ring damage pre- and post-installation and at re-installation
- Dielectric stop at F nut boosts installation quality
- Grooved nut for better grip, easier tightening, and quicker installation
- Straight knurling for improved grip on nut

TrueDrop™ Portfolio – What's new?

TrueDrop™ connectors and jumpers*

CX3™ portfolio upgrade and consolidation

- Larger conical mating surface provides better alignment and O-ring seating
- Better Female thread engagement
- Dielectric stop disables dielectric push-through
- Grooved nut for better grip, easier tightening, and quicker installation
- Wider sleeve heel provides 360° electrical contact for all cables
- Higher cable torsion and straight knurling for improved grip and installation
- A++ jumper shielding



TrueDrop Connector

Connections you can trust



99909941

* The full volume of the TrueDrop connectors will be available from Q4 2019
All not shown drop products will be discontinued

TrueDrop™ Connector – F Standard Compression

New Features / New Interface

Improved Interface Seal

1. O-ring not damaged by thread/installation

F Nut: larger thread engagement area and finger friendly design

1. Compensates for varying F Female thread qualities
2. More strong mechanical contact between F Female and F Male ports prevents loosening of connectors
3. Nut Design eases tightening F Nut on Port
4. F Nut tightening quality improved

Mating Surface: Self-Centering and maximizing electrical contact

1. Compensating for varying Female surface qualities
2. Ensuring 360° RF tightness

Dielectric Stop

1. Prevention of pass/ push through

Benefits

1. Mating Surface

- a. Optimum mechanical and RF fit
 - Less maintenance calls
 - No more loose F connector
 - Best possible noise and ingress protection

2. F Nut

- a. Ensures high torque and low resistance
 - Less maintenance calls
 - No more loose F connector
 - Best possible noise and ingress protection

3. Stop

- a. Flawless installation features
 - Less maintenance calls
 - Safe installation with mechanical stop for cable

4. Interface Seal

- a. Improved repeat installations with seal intact
 - Best possible moisture, noise, and ingress protection

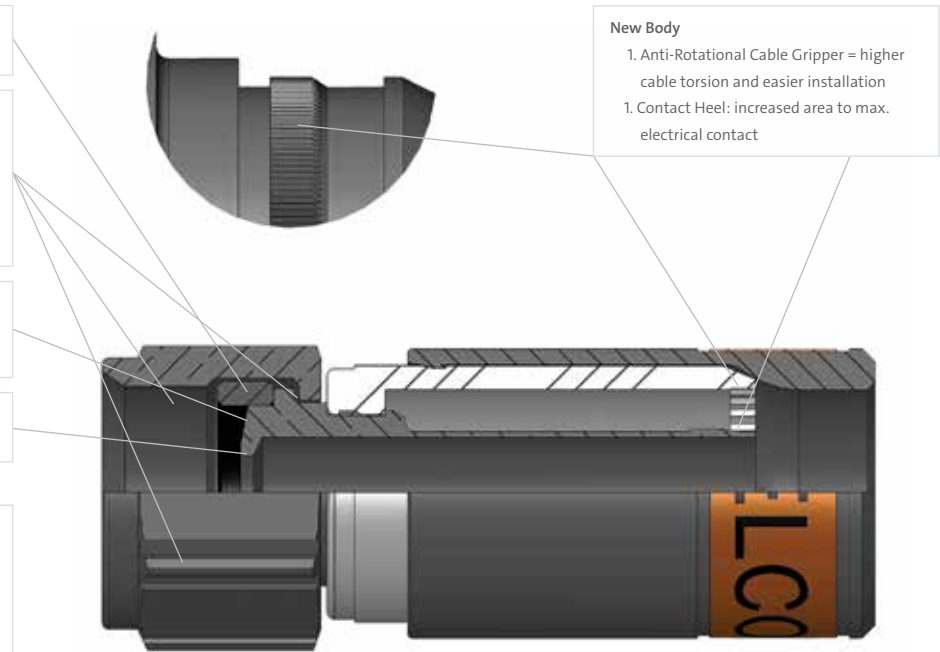
5. New Body

- a. New internal design improves handling and cable aging issues

New Features / New Body

New Body

1. Anti-Rotational Cable Gripper = higher cable torsion and easier installation
1. Contact Heel: increased area to max. electrical contact



New TD item no.	Name	Description
Heading: F Male Feed through with interface seal		
99909916	F-59-TD 3.7	for MINI RG59 cable dielectric ϕ . 3,4-3,5 mm
99909921	F-59-TD 3.9	for RG59 cable dielectric ϕ . 3,6-3,7 mm
99909935	F-59-TD 3.9 HEC	for RG59 HEC cable dielectric ϕ . 3,6-3,7 mm
99909941	F-6-TD 4.9	for RG6 cable dielectric ϕ . 4,6-4,7 mm
99909946	F-6-TD 5.1	for RG6 cable dielectric ϕ . 4,8-4,9 mm

TrueDrop™ Connectors – with F QuickMount™ Compression

New Features / New Interface

Mating Surface: Self-Centering and maximizing electrical contact

1. Compensating for varying Female surface qualities
2. Ensuring 360° RF tightness

F Nut: larger thread engagement area and finger friendly design

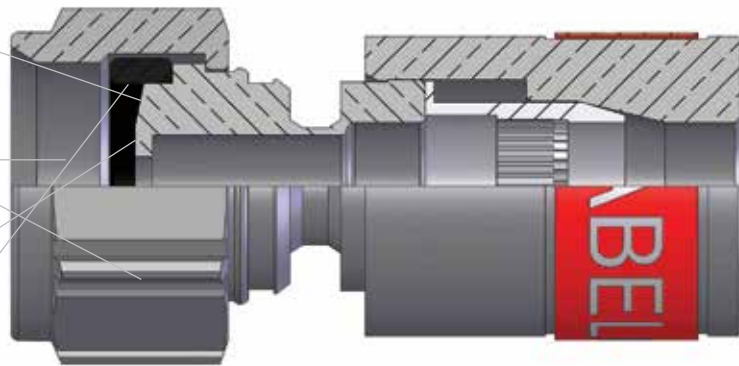
1. Compensates for varying F Female thread qualities
2. More strong mechanical contact between F Female and F Male ports prevents loosening of connectors
3. Nut design eases tightening F Nut on Port

Dielectric Stop

1. Prevention of pass/ push through

Improved Interface Seal

1. O-ring not damaged by thread/ installation



Benefits

1. Mating Surface

- a. Optimum mechanical and RF fit
 - Less maintenance calls
 - No more loose F connector
 - Best possible noise and ingress protection

2. F Nut

- a. Ensures high torque and low resistance
 - Less maintenance calls
 - No more loose F connector
 - Best possible noise and ingress protection

3. Stop

- a. Flawless installation features.
 - Less maintenance calls
 - Safe installation with mechanical stop for cable

4. Interface Seal

- a. Improved repeat installations with seal intact.
 - Best possible moisture, noise and ingress protection

5. New Body



- a. New internal design improves handling and cable aging issues

New TD item no.	Name	Description
Heading: F Male PushPin without interface seal		
99909901	FM-MINI-TD QM 4.0 SHORT W/O-RING	for MINI 4.0 mm cable
99909902	FM-MINI-TD QM 3.1	for MINI 3.1 mm cable
99909903	FM-MINI-TD QM 4.0	for MINI 4.0 mm cable
99909904	FM-MINI-TD QM 4.5	for MINI 4.5 mm cable
99909906	FM-MINI-TD QM 5.0	for MINI/RGS9 5.0 mm cable
Heading: F Male Feed through without interface seal		
99909909	F-MINI-TD QM 4.5 SHORT W/O-RING	for MINI 4.5 mm cable
99909910	F-MINI-TD QM 5.0 SHORT W/O-RING	for MINI 5.0 mm cable
99909911	F-59-TD QM 6.0 SHORT W/O-RING	for RGS9 6.0 mm cable
99909913	F-6-TD QM 7.0 W/O O-RING	for RG6 7.0 mm cable
99909914	F-6-TD QM 7.0 SHORT W/O O-RING	for MINI 4.5 mm cable
Heading: F Male Feed through with interface seal		
99909912	F-6-TD QM 7.0	for RG6 7.0 mm cable

TrueDrop™ Portfolio – General Specifications

Features

- Conical Interface
- O-ring
- Grooved Nut
- Cable Gripper
- Support Sleeve: Dielectric stop and contact heel
- Enhanced F Nut thread

Technical Data*1	TrueDrop™ standard compression	TrueDrop™ QuickMount™ Connector*1
		
Transfer Impedance (CoMeT) 5-30 MHz	Class A++	Class A++
Screening Attenuation (CoMet) 30-3.000 MHz	Class A++	Class A++
Intermodulation 3rd Order @ 2 x 20 dBm	< -167 dBc	< -130 dBc
Sealing Test (IEC IP-code)	IP X8 30 meter / 8 hour	IP X8 30 meter / 8 hour
Return Loss @ 1.0 GHz	< -39 dB	< -32 dB
Return Loss @ 2.0 GHz	< -39 dB	< -25 dB
Return Loss @ 3.0 GHz	< -39 dB	< -22 dB
Insertion Loss @ 1.0 GHz	< -0,01 dB	< -0,10 dB
Insertion Loss @ 2.0 GHz	< -0,02 dB	< -0,10 dB
Insertion Loss @ 3.0 GHz	< -0,05 dB	< -0,10 dB
Maximum tensile strength	> 50% better than cable specifications	> 50% better than cable specifications

* Data is cable dependent

1 General connector performance may change depending on cable type

Various Drop Connectors

IEC & BNC Compression & SC Self Install Connectors

Item no.	Name	Description
F with Standard F Nut Self-Install		
99909631	F-56 4.9 Self-Install Nitin	For RG6 7.0 mm cable, with 4.6 mm dielectric
99909636	F-56 5.1 Self-Install Nitin	For RG6 7.0 mm cable, with 4.8 mm dielectric
F with Standard F Nut CX3® Standard Compression		
99909441-01	F-56-CX3 4.9	For RG6 7.0 mm cable, with 4.6 mm dielectric
99909581	F-56-CX3 4.9	For RG6 7.0 mm cable, with 4.6 mm dielectric
99909446-01	F-56-CX3 5.1	For RG6 7.0 mm cable, with 4.8 mm dielectric
F with Standard F Nut CX3 QuickMount™ Connector		
99909407-02	F-56-CX3 7.0 QM	For RG6 7.0 mm cable
99909412	F-56-CX3 7.0 QM without O-ring	For RG6 7.0 mm cable (no interface seal)
99909430	F-56-CX3 7.0 QM Short	For RG6 7.0 mm cable
F with SpringConnect Self-Install		
99909673	F SC-56 5.1 Self-Install	For RG6 7.0 mm cable, with 4.6-4.8 mm dielectric
F with SpringConnect Standard Compression		
99909549-01	F SC-56-CX3 4.9 Short	For RG6 7.0 mm cable, with 4.6 mm dielectric
IEC Self-Install		
99909686	IECM-56 5.1 Self-Install	For RG6 7.0 mm cable, with 4.6-4.8 mm dielectric
99909692	90-IECM-56 5.1 Self-Install	For RG6 7.0 mm cable, with 4.6-4.8 mm dielectric
99909690	IECF-56 5.1 Self-Install	For RG6 7.0 mm cable, with 4.6-4.8 mm dielectric
99909691	90-IECF-56 5.1 Self-Install	For RG6 7.0 mm cable, with 4.6-4.8 mm dielectric
IEC CX3 Standard Compression		
99909484-02	IECM-56-CX3 4.9	For RG6 7.0 mm cable, with 4.6 mm dielectric
99909486-02	IECM-56-CX3 5.1	For RG6 7.0 mm cable, with 4.8 mm dielectric
99909494-01	IECF-56-CX3 4.9	For RG6 7.0 mm cable, with 4.6 mm dielectric
99909496-01	IECF-56-CX3 5.1	For RG6 7.0 mm cable, with 4.8 mm dielectric
BNC CX3 Standard Compression		
99909475-02	BNCM-56-CX3 4.9	For RG6 7.0 mm cable, with 4.6 mm dielectric
99909476-02	BNCM-56-CX3 5.1	For RG6 7.0 mm cable, with 4.8 mm dielectric
IEC Male connectors		
99909482-01	IECM-59-CX3 3.9	For RG59 cable dielectric ø. 3.6-3.7 mm
99909484-02	IECM-56-CX3 4.9	For RG6 cable dielectric ø. 4.6-4.7 mm
99909486-02	IECM-56-CX3 5.1	For RG6 cable dielectric ø. 4.8-4.9 mm
99909686	IECM-56 5.1 SELF INSTALL	For RG6 cable dielectric ø. 4.6-4.9 mm



99909673



99909686



99909692



99909690



99909691



99909494-01

Item no.	Name	Description
IEC Female connectors		
99909492-01	IECF-59-CX3 3.9	For MINI RG59 cable dielectric ø. 3.4-3.5 mm
99909494-01	IECF-56-CX3 4.9	For RG6 cable dielectric ø. 4.6-4.7 mm
99909496-01	IECF-56-CX3 5.1	For RG6 cable dielectric ø. 4.8-4.9 mm
99909690	IECF-56 5.1 SELF INSTALL	For RG6 cable dielectric ø. 4.6-4.9 mm
F Male SpringConnect		
99909549-01	F SC-56-CX3 4.9 SHORT	For RG6 cable dielectric ø. 4.6-4.7 mm
99909569	F SC-56-CX3 4.9 SHORT Class A spring	For RG6 cable dielectric ø. 4.6-4.7 mm
99909673	F SC-56 5.1 SELF INSTALL	For RG6 cable dielectric ø. 4.6-4.9 mm
99909553-01	F SC-56-CX3 5.1 SHORT	For RG6 cable dielectric ø. 4.8-4.9 mm
E Male connector		
99909540-01	E-56-CX3 4.9	For RG6 cable dielectric ø. 4.6-4.7 mm
99909545-01	E-56-CX3 5.1	For RG6 cable dielectric ø. 4.8-4.9 mm
90-degree right angle IEC Male connector		
99909692	90-IECM-56 5.1 SELF-INSTALL	For RG6 cable dielectric ø. 4.6-4.9 mm
90-degree right angle IEC Female connector		
99909691	90-IECF-56 5.1 SELF-INSTALL	For RG6 cable dielectric ø. 4.6-4.9 mm
90-degree right angle F Male connector		
99530053-01	90-FM-59-ALM 3.7/6.4 HQ	For MINI RG59 cable dielectric ø. 3.4-3.5 mm
99530059-01	90-FM-56-ALM 5.1/8.4 HQ	For RG6 cable dielectric ø. 4.8-4.9 mm
99909597	90-FM-56-CX3 7.0 QM	For RG6 7.0 mm cable
MCX Male connectors		
99909803	MCX-60-CX3 MINI 4.0 QM	For MINI 4.0 mm cable
99909804-01	MCX-60-CX3 MINI 4.5	For MINI 4.5 mm cable
99909805	MCX-59-CX3 5.0 QM	For MINI 5.0 mm cable
BNC Male connectors		
99909462-01	BNCM-60-CX3 MINI 3.1	For MINI 3.1 mm cable
99909463-01	BNCM-60-CX3 MINI 4.0	For MINI 4.0 mm cable
99909464-03	BNCM-60-CX3 MINI 4.5	For MINI 4.5 mm cable
99909465-01	BNCM-60-CX3 MINI 5.0	For MINI 5.0 mm cable
99909472-02	BNCM-59-CX3 3.7	For MINI RG59 cable dielectric ø. 3.4-3.5mm
99909473-02	BNCM-59-CX3 3.9	For RG59 cable dielectric ø. 3.6-3.7mm
99909474-02	BNCM-59-CX3 3.9/HEC	For RG59 HEC cable dielectric ø. 3.6-3.7mm
99909475-02	BNCM-56-CX3 4.9	For RG6 cable dielectric ø. 4.6-4.7mm
99909476-02	BNCM-56-CX3 5.1	For RG6 cable dielectric ø. 4.8-4.9mm
99909478	BNCM-56-CX3 5.7	For RG6 cable dielectric ø. 5.4-5.5mm

Drop Connectors for RG11 Cables

Product Type/Name	Part Number	Product Description
F Male PushPin™ System CX3™ Standard Compression		
FM-RG11-CX3 7.5	99909510-02	For RG11 10.0 mm cable, with 7.3 mm dielectric
FM-RG11Q-CX3 7.5	99909515-02	For RG11 10.5 mm cable, with 7.3 mm dielectric
F Male PushPin System CX3 QuickMount™ Connector		
FM-RG11-CX3 QM 10.5	99909538-02	For RG11 10.0-10.5 mm cable
FM-RG11Q-CX3 QM 11.0/1.7	99909539	For RG11 10.5-11.0 mm cable
FM-RG11-CX3 QM 11.3	99909558	For Tellu7 11.0 mm cable
IEC Male PushPin System CX3 Standard Compression		
IEC14M-RG11-CX3 7.5	99909535-02	For RG11 10.0 mm cable, with 7.3 mm dielectric
5/8 MU PushPin System CX3 Standard Compression		
5/8 MU-RG11-CX3 7.5	99909525-02	For RG11 10.0 mm cable, with 7.3 mm dielectric
5/8 MU PushPin System CX3 QuickMount		
5/8 MU-RG11-CX3 QM 10.5	99909528-02	For RG11 10.0-10.5 mm cable
3.5/12 Male and Female PushPin System CX3 Standard Compression		
3.5/12M-RG11-CX3 7.5	99909520-02	For RG11 10.0-10.5 mm cable
3.5/12F-RG11-CX3 7.5	99909530-02	For RG11 10.0-10.5 mm cable
3.5/12 Male & Female PushPin System CX3 QuickMount		
3.5/12M-RG11-CX3 QM 10.5	99909524-01	For RG11 10.0-10.5 mm cable
BNC Male PushPin System CX3 Standard Compression		
BNCM-RG11Q CX3 7.5	99909536-02	For RG11 10.0-10.5 mm cable
BNC Male PushPin System CX3 QuickMount		
BNCM-RG11-CX3 QM 10.5	99909541-01	For RG11 10.0-10.5 mm cable



99909510-02



99909525-02

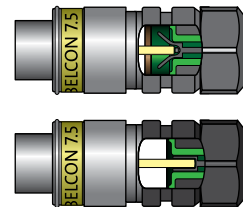


99909538-02



99909520-02

CX3™ RG11 F-connector



Position one:
The pin grips the inner conductor and makes sure that the cable is always inserted correctly in the connector.

Position two:
The pin locks the inner conductor as the cable is inserted while the pin is pushed forward in place – indicating that the cable is correctly installed.

The example above is our CX3 RG11 F-connector but the principle is the same for our other CX3 types.

Functions of our innovative PushPin system:

- The pin is protected in the body during transport (except CX3 5/8M) and is automatically pushed in place during cable installation (before compression)
- Eliminates blind entry when installing, offering visible indication of properly installed cable PushPin technology, and is available in all CX3 RG7/11 connectors, CX3 mini connectors, and in some RG6/59 connector types. BNC and RCA connectors also feature the unique system.

TrueDrop™ Jumper

New Features / New Interface

Improved Interface Seal

1. O-ring not damaged by thread/installation

F Nut: larger thread engagement area and finger friendly design

1. Compensates for varying F Female thread qualities
2. More strong mechanical contact between F Female and F Male ports prevents loosening of connectors
3. Nut Design eases tightening F Nut on Port
4. F Nut tightening quality improved

Mating Surface: Self-Centering and maximizing electrical contact

1. Compensating for varying Female surface qualities
2. Ensuring 360° RF tightness

New Body

1. Enhanced compression technology, increased contact area to max. electrical contact
1. Contact Heel: increased area to max. electrical contact

Benefits

1. Mating Surface

- a. Optimum mechanical and RF fit
 - Less maintenance calls
 - No more loose F connector
 - Best possible noise and ingress protection

2. F Nut

- a. Ensures high torque and low resistance
 - Less maintenance calls
 - No more loose F connector
 - Best possible noise and ingress protection

3. Interface Seal

- a. Improved repeat installations with seal intact
 - Best possible moisture, noise, and ingress protection

4. New Body

- a. New compression technology, increases shielding and minimize transfer impedance, for best possible network performance



TrueDrop™ Jumper Portfolio

Drop Jumpers

RG59 fly leads and RG6 drop jumpers 0.2 m to 15+ m

Item #	Name	Interface 1	Interface 2	Typical Application	Length
Heading: RG59 White PVC A++ Tri-Shield Cable (Alu Foil/ Tin Plated copper Braid/ Alu Foil)					
95114010	FM-CXJ59A++-IEC14M/B/1.0	F Male	IEC14 Male	Indoor	1.0 m
95215025	FM-CXJ59A++-IECF/W/2.5	F Male	IEC Female	Indoor	2.5 m
95211005	FM-CXJ59A++-FM/W/0.5	F Male	F Male	Indoor	0.5 m
95211008	FM-CXJ59A++-FM/W/0.8	F Male	F Male	Indoor	0.8 m
95211012	FM-CXJ59A++-FM/W/1.2	F Male	F Male	Indoor	1.2 m
95211020	FM-CXJ59A++-FM/W/2.0	F Male	F Male	Indoor	2.0 m
95211030	FM-CXJ59A++-FM/W/3.0	F Male	F Male	Indoor	3.0 m
95222005	FM SC-CXJ59A++-FM SC/W/0.5	F Male SpringConnect™	F Male SpringConnect	Indoor	0.5 m
95222015	FM SC-CXJ59A++-FM SC/W/1.5	F Male SpringConnect	F Male SpringConnect	Indoor	1.5 m
95222020	FM SC-CXJ59A++-FM SC/W/2.0	F Male SpringConnect	F Male SpringConnect	Indoor	2.0 m
Heading: RG6 Black PVC A++ Tri-Shield Cable (Alu Foil/ Tin Plated copper Braid/ Alu Foil)					
96411002	FM-CXJ6A++-FM/B/0.2	F Male	F Male	Indoor	0.2 m
96411003	FM-CXJ6A++-FM/B/0.3	F Male	F Male	Indoor	0.3 m
96411004	FM-CXJ6A++-FM/B/0.4	F Male	F Male	Indoor	0.4 m
96411005	FM-CXJ6A++-FM/B/0.5	F Male	F Male	Indoor	0.5 m
96490010	5/8MU-CXJ6A++-FM/S/1.0	5/8 Male (with Swivel Nut)	Open end	Outdoor	1.0 m
96408005	FM-CXJ6A++/S/B/0.5	F Male	F Female	Outdoor	0.5 m
96303006	FM-CXJ6A++-FF/S/B/0.6	F Male	F Male	Outdoor	0.6 m
96400002	FM-CXJ6A++-FM/S/B/0.2	F Male	F Male	Outdoor	0.2 m
96400003	FM-CXJ6A++-FM/S/B/0.3	F Male	F Male	Outdoor	0.3 m
96400004	FM-CXJ6A++-FM/S/B/0.4	F Male	F Male	Outdoor	0.4 m
96400005	FM-CXJ6A++-FM/S/B/0.5	F Male	F Male	Outdoor	0.5 m
96400006	FM-CXJ6A++-FM/S/B/0.6	F Male	F Male	Outdoor	0.6 m
96400007	FM-CXJ6A++-FM/S/B/0.7	F Male	F Male	Outdoor	0.7 m
96400008	FM-CXJ6A++-FM/S/B/0.8	F Male	F Male	Outdoor	0.8 m
96400010	FM-CXJ6A++-FM/S/B/1.0	F Male	F Male	Outdoor	1.0 m
96400025	FM-CXJ6A++-FM/S/B/2.5	F Male	F Male	Outdoor	2.5 m
96400030	FM-CXJ6A++-FM/S/B/3.0	F Male	F Male	Outdoor	3.0 m
Heading: RG6 Black PVC A++ Tri-Shield Cable (copper Foil/ copper Braid/ copper Foil)					
96503005	FM-CXJ6CuA++-FF/S/B/0.5	F Male	F Female	Outdoor	0.5 m



96303006



95215025



96400002



95114010



95222005






95211008

TrueDrop™ Jumper Portfolio – General Specifications

Features

- Conical Interface
- O-ring
- Grooved Nut
- Enhanced compression technology
- Support Sleeve: Dielectric stop and contact heel
- Enhanced F Nut thread

Technical Data	F male RG6 A++	F male RG59 A++	F male SpringConnect RG59 A++
			
Transfer Impedance (CoMet) 5-30 Mhz	Class A++	Class A++	Class A++
Screening Attenuation (CoMet) 30-3.000 Mhz	Class A++	Class A++	Class A++
Intermodulation 3rd Order @ 2 x 20 dBm	<-160 dBc	<-160 dBc	<-160 dBc
Sealing Test (IEC IP-code)	IP X8 1 meter / 24 hour		
Return Loss @ 1.0 GHz	<-23 dB	<-25 dB	<-23dB
Return Loss @ 2.0 GHz	<-22 dB	<-23 dB	<-20dB
Return Loss @ 3.0 GHz	<-22 dB	<-19 dB	<-16dB
Insertion Loss @ 1.0 GHz	<-0,10 dB	<-0,13dB	<-0,12dB
Insertion Loss @ 2.0 GHz	<-0,10 dB	<-0,14dB	<-0,13dB
Insertion Loss @ 3.0 GHz	<-0,12 dB	<-0,18dB	<-0,16dB
Max. Tensile Strength	>38 Kgf, >373N	>30 Kgf, >324N	>30 Kgf, >294N

TrueDrop™ Compression Tools and Strippers

Drop Compression Tools and Strippers

Product Type/Name	Part Number	Product Description
Compression Tools		
Compression Tool MINI/RG59/6	98029075	Compression Tool IEC/F/BNC/SHORT
CX3™ Pocket Tool 59/6 F and IEC	98029070	Compression Tool IEC/F
Compression Tool CX3 RG59/6 WB	98029046	Wall Box Compression Tool (if limited space is available, no rotating head)
Compression Tool CX3 all sizes	98029072-01	For All Listed F/FM/IEC M & F/BNCM compression connectors (RG59/6/11)
Compression Tool RG11 universal	98029073	For All Listed RG11/Tellu7 compression connectors
CAT-AS-IEC/ICA/RCA-FX	98029049	Compression Tool for F and IEC
Cable Strippers		
Cable Stripper Rotary RG6	98501010	For 3.0-7.0 mm cable
Cable Stripper RG6/59 W. HEX 11	98501040-02	For 3.0-7.0 mm cable
Cable Stripper O/D RG6/59 WB	98501080	Wall Box Cable Stripper (if limited space is available)
Cable Stripper I/D RG6/59 WB	98501083	Wall Box Cable Stripper (if limited space is available)
Cable Stripper Rotary RG11	98501102	For 10.0-11.00 mm cable
Accessories		
Torque Wrench HEX 14 mm 4.5 nm	98029095	For RG11 & Hardline F Male connectors
Rubber Tool for Cable Support	98028785	Supporting grip on cable when pushing connector on cable
Conductor Cleaner and Beveller	98500904	Centre Conductor Cleaner and Deburr
Conductor Cleaner CC-200 EUR	98500903	Centre Conductor Cleaner
Installation Tool for F connectors	98028798-02	F Interface
Installation Tool for BNC connectors	98028796	BNC Interface
Seal Ring 1/2-in for F connectors	99900902	F Interface
Security Shield Ø20.0 mm	98028795	Security Lock for F connectors



98029070



98029070



98028795



98501080



98029046

Adapters and Accessories

Product Type/Name	Part Number	Product Description
180-Degree Adapters	86555500	180-FF-FF-HQ
90-Degree Adapters	99530035-02	90-FM-FF-HQ
90-Degree Adapters	99900600	90-FM-FF ANGEL
Adapters	87303002	BNCF 75 Ohm — BNCF 75 Ohm
Adapters	87304500-01	BNCF 75 Ohm — IECM
Adapters	87304900-01	BNCF 75 Ohm — 3.5/12M
Adapters	87305502	BNCF75 Ohm — FF HQ SHORT
Adapters	87315502-01	BNCF75 Ohm — FF HQ
Adapters	87535502-03	FM SC-FF LONG MODEL HQ
Adapters	87535510-01	FM PUSH ON-FF HQ
Adapters	99455510-01	IECM-FF-HQ
Adapters	99475510-02	IECF-FF-HQ
Adapters	99534510	FM-IECM
Adapters	99534710	FM-IECF
Adapters	99550021	F-81-HQ CHASSIS
Adapters	99550025-02	F-81-HQ-1 NiTin CC
Adapters	99550044-02	F-81-HQ GROUNDING BLOCK CC
Adapters	99550045-02	F-81HQ DUAL GROUNDING BLOCK
Adapters	99550050-01	F-81-HQ-D NiTin CC
Adapters	99900450	F-71-M-S
Adapters	99900500	F-81
Attenuators F Male - F Female	90000005	ATTENUATOR FM-FF 3 dB
Attenuators F Male - F Female	90000010	ATTENUATOR FM-FF 6 dB
Attenuators F Male - F Female	90000015	ATTENUATOR FM-FF 10 dB
Attenuators F Male - F Female	90000025	ATTENUATOR FM-FF 16 dB
Attenuators F Male - F Female	90000030	ATTENUATOR FM-FF 20 dB
Industrial Connectors	99900513	F-61DD-HQ W/NUT & TEETH WASHER
Industrial Connectors	99900514	F-61-HQ-2 (PCB-MOUNT)
Industrial Connectors	99900515-02	F-61-90SRP-D-HQ (PCB-MOUNT)
Industrial Connectors	99900535	F-61-OHL-1-01 with O-ring
Industrial Connectors	99900535	F-61-HQ W/NUT & TEETH WASHER

Product Type/Name	Part Number	Product Description
Locking Terminators	99901850	CTP-R75 SHORT W.THREAD
Locking Terminators	99901910	LT-R75S SHORT
Locking Terminators	99901915	LT-R75ST SHORT W.THREAD
Locking Terminators	99901917	LT-R75ST SHORT W.THREAD NiTin
Nut & O-ring - IECM-CX3	99900570-01	M14 NUT + O-RING F. CX3+CRIMP
Nuts & Washers	99900550-01	NUT AND WASHER FOR F-81
Nuts & Washers	99900552	NUT AND TEETH WASHER F-81
Port Terminators	89450006	IECM-R75 PORT TERMINATOR
Port Terminators	89535502-01	FM R75-FF MALE TERMINATOR NiTin
Port Terminators	99902004-02	FM SC-R75 1/4-HQ NiTin
Port Terminators	99902008-01	TR-59-1/4-HQ NiTin
Port Terminators	99902009	TR-59-1/4 NiTin



99900518-01



99900550-01



99902008-01



99550045-02



99900552



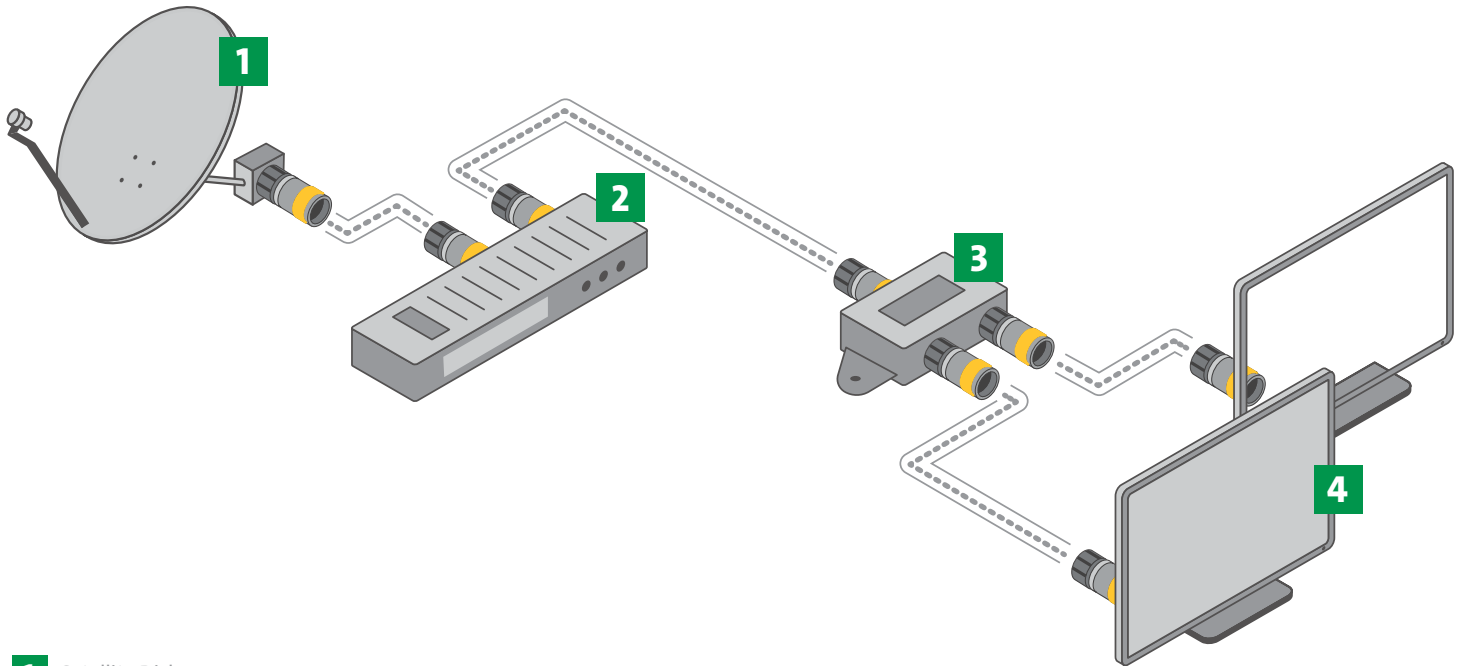
99901915



Corning® Satellite Portfolio

From physical barriers around installation sites to adverse weather conditions, we understand the challenges installers face in the field. That is why our Satellite and Wireless products are built with features that enable fast and easy installation.

Satellite Portfolio



- 1 Satellite Dish
- 2 Satellite Receiver
- 3 Splitter
- 4 Television

Satellite Portfolio – What's new?

New Features / New Interface

Mating Surface: Self-Centering and maximizing electrical contact

1. Compensating for varying Female surface qualities
2. Ensuring 360° RF tightness

F Nut: Larger thread engagement area and finger friendly design

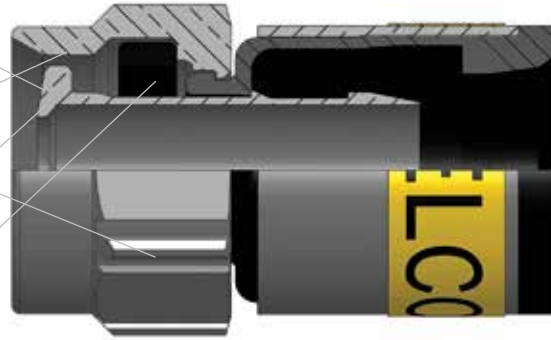
1. Compensates for varying F Female thread qualities
2. More strong mechanical contact between F Female and F Male ports prevents loosening of connectors
3. Nut design eases tightening F Nut on port

Dielectric Stop

1. Prevention of pass/push through

Improved Interface Seal

1. O-ring not damaged by thread/ installation



Item no.	Name
99909621-03	F-59 SELF INSTALL 3.9 NI
99909631-03	F-56 SELF INSTALL 4.9 NI
99909636-02	F-56 SELF INSTALL 5.1 NI



98029046



98501080



98501040-02



98501010