



VST Weatherproofing Gel Sealed Termination Boot for F connectors

- Provides long-term corrosion-resistant and gel-based sealing of an F-connector exposed to the outside environment
- One-step installation by placing the VST around the F-connector and clicking the housing together
- Can be reopened and reused at least twenty times, which permits verification, removing and reconnection of the F-connector

Product Classification

Regional Availability

EMEA | Latin America | North America

Product Type

Weatherproofing boot

General Specifications

Application

Provides additional moisture seal for cable connections

Color

Black

Dimensions

Width 21 mm | 0.827 in

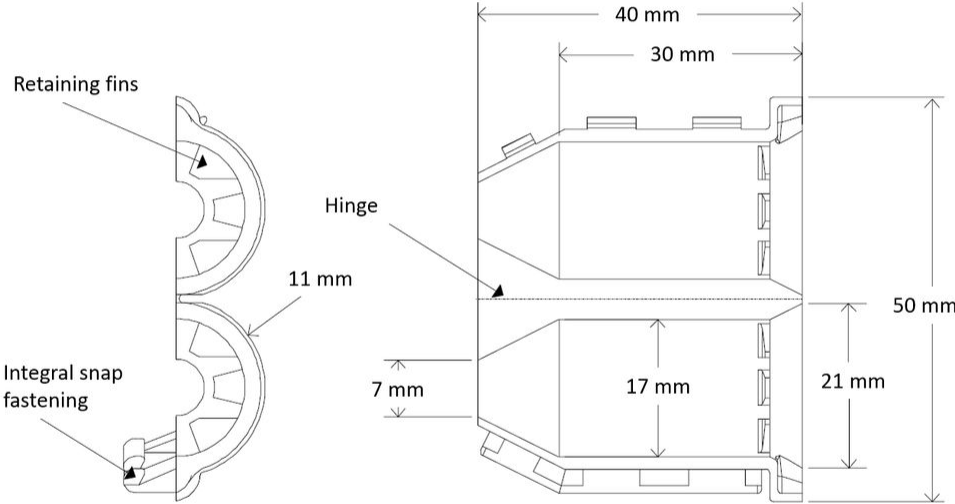
Length 40 mm | 1.575 in

Cable Diameter for Seal, maximum 7 mm | 0.276 in

Cable Diameter for Seal, minimum 4 mm | 0.157 in

Inner Diameter 11 mm | 0.433 in

Outline Drawing



Material Specifications

Material Type Engineered plastic

Environmental Specifications

Operating Temperature -30 °C to +60 °C (-22 °F to +140 °F)

Packaging and Weights

Packaging quantity 1