

## BUDI Connectorized with FIST

### Building Distribution Enclosure for Connectorized Applications

#### What is BUDI?

BUDI is a product range of compact, wall mountable fiber enclosures for indoor and outdoor use. They are specifically designed for fast deployment and easy customer connection. The FIST management system is a proven CommScope technology for optimal fiber organization and splicing. In combination with a patch panel, this system offers ultimate flexibility.

Available with splicing and/or patching capabilities, high connector density, small and larger footprints, the BUDI product range offers flexible solutions for a wide range of applications in the access network

#### Benefits

- Easy to install
- Compact and flexible design
- Fast customer connection
- Extensive product range
- Proven FIST fiber management system

#### Features

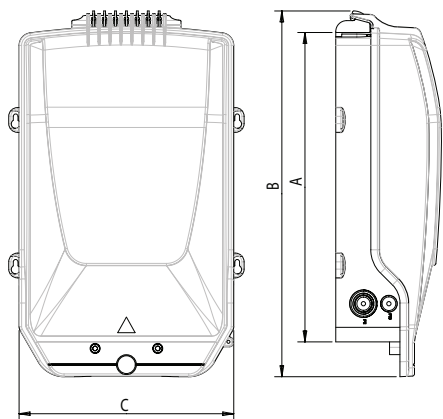
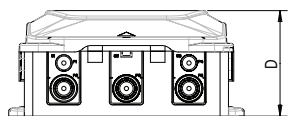
- Designed to operate in category C (controlled), category G (outdoor ground level) and category A (aerial) as characterized by IEC 61753-1
- Fire retardant, LSZH materials
- UV stable material for outdoor above ground use
- Multiple cable ports available
- Bottom cable seal blocks are wrap-around
- UMS (Universal Mounting System) available to mount single element/single circuit trays splice trays
- Compatible with pre-connectorized Mini-Breakout cable
- Allows integration of passive optical components
- Small and large footprints
- Multiple accessories available to terminate and seal different cable types
- Removable enclosure lid
- Quareo Scan Assist compatible

## BUDI Connectorized with FIST

Building Distribution Enclosure for Connectorized Applications

Features		Type of BUDI				
		BUDI-2S-T	BUDI-1S-T	BUDI-S-T	BUDI-M-TP	BUDI-M-TA
UMS		2	8	24	24	24
Ports	SC	8	16	24	36	48
	LC	12	32	48	72	64
Splices	Single circuit (up to 2 splices per tray)	12	16	48	48	48
	Single element (up to 12 splices per tray)	36	48	144	144	144
Cable loop		no	yes	yes	yes	yes
Lock		lead wire	key	key	key	key
FSASA splitter integration		no	yes	yes	yes	yes
Quareo Scan Assist compatibility		yes	yes	yes	yes	yes

## Dimensions



Size	BUDI-2S	BUDI-1S	BUDI-S	BUDI-M
A: Height box (mm)	260	340	425	480
B: Height cover (mm)	285	420	500	550
C: Width (mm)	155	240	295	360
D: Depth (mm)	60	120	145	175

# BUDI Connectorized with FIST

Building Distribution Enclosure for Connectorized Applications

## Ordering Information

Pre-configured box

### BUDI-2S-T-XX XX E S

Number of adapters and pigtails\*

02	SC/LC
04	SC/LC
06	SC/LC
08	SC/LC
12	LC only

Type of adapter and pigtail

S1	SC/UCP
S2	SC/APC 8°
L1	LC/UPC
L2	LC/APC

\* Pigtails and adapters are included in the packaging but not pre-installed in the product

Pre-configured box

### BUDI-1S-T- X - XX XX XX X X

Lock

A	No lock
B	Lock

Splice holder

S	SMOUV
N	No splice

Number of adapters and pigtails\*

12	SC/LC
16	SC/LC
24	LC only
32	LC only
NN	No adapters

Type of tray

C	single circuit (up to 2 splices per tray)
E	single element (up to 12 splices per tray)
N	No tray

Type of adapter and pigtail

S1	SC/UCP
S2	SC/APC 8°
L1	LC/UPC
L2	LC/APC
NN	No adapters

Number of splices

16	single circuit/single element
24	single element only
32	single element only

\* Pigtails and adapters are included in the packaging but not pre-installed in the product

# BUDI Connectorized with FIST

Building Distribution Enclosure for Connectorized Applications

## Pre-configured box

### BUDI-S-T- X - XX XX XX X X

#### Lock

A	No lock
B	Lock

#### Number of adapters and pigtails\*

12	SC/LC
16	SC/LC
24	SC/LC
36	LC only
48	LC only
NN	No adapters

#### Type of adapter and pigtail

S1	SC/UCP
S2	SC/APC 8°
L1	LC/UPC
L2	LC/APC
NN	No adapters

\* Pigtails and adapters are included in the packaging but not pre-installed in the product

#### Splice holder

S	SMOUV
N	No splice

#### Type of tray

C	single circuit (up to 2 splices per tray)
E	single element (up to 12 splices per tray)
N	No tray

#### Number of splices

00	single circuit/single element
12	single circuit/single element
16	single circuit/single element
24	single circuit/single element
32	single circuit/single element
36	single circuit/single element
48	single circuit/single element

# BUDI Connectorized with FIST

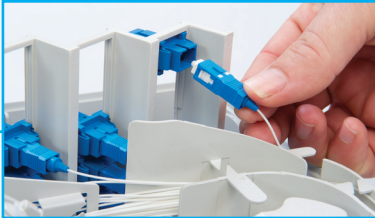
Building Distribution Enclosure for Connectorized Applications

## Pre-configured box

### BUDI-M- XX-X-XX XX XX X X

#### Patch type

TP	PAPAN integration
TA	Sliding adapter pack



#### Lock

A	No lock
B	Lock

#### Number of adapters and pigtails\*

	TP		TA	
24	SC	LC	SC	LC
36	SC	LC	SC	LC
48	/	LC	SC	LC
64	/	LC	/	LC
72	/	LC	/	/

\* Pigtails and adapters are included in the packaging but not pre-installed in the product

#### Splice holder

S	SMOUV
N	No splice

#### Type of tray

C	single circuit (up to 2 splices per tray)
E	single element (up to 12 splices per tray)
N	No tray

#### Number of splices

00	single circuit/single element
24	single circuit/single element
36	single circuit/single element
48	single circuit/single element
72	single element only

#### Adapter and pigtail type

S1	SC/UPC
S2	SC/APC 8°
L1	LC/UPC
L2	LC/APC
NN	No adapters

## Accessory required for BUDI-M-TA

### BUDI-M-APACK - 12 - XX - X

#### Number of connections

12

#### Adapter and pigtail type

S1	SC/UPC
S2	SC/APC 8°
L1	LC/UPC*
L2	LC/APC*

#### Configuration

A	Adapters only
P	Pigtails & adapters

\* In case of 12 LC connections, the adapters are split over 2 sliding adapter packs

# BUDI Connectorized with FIST

## Building Distribution Enclosure for Connectorized Applications

Empty boxes

BUDI-1S-T-X

Lock

A	No lock
B	Lock

BUDI-S-T-X

Lock

A	No lock
B	Lock

BUDI-M-T-XX-X

Lock

A	No lock
B	Lock

Patch type

TP	PAPAN integration
TA	Sliding adapter pack*

\* Only sliding adapter pack holders included.



[commscope.com](http://commscope.com)

Visit our website or contact your local CommScope representative for more information.

© 2016 CommScope, Inc. All rights reserved.

BUDI, SMOUV and all trademarks identified by ® or ™ are registered trademarks or trademarks, respectively, of CommScope, Inc.

This document is for planning purposes only and is not intended to modify or supplement any specifications or warranties relating to CommScope products or services.

PS-318900.3-EU (06/16)