



# CPWO

## Customer premises wall outlet

The CPWO is a very compact wall outlet for maximum 2 FO connectors and 1 RJ-45 or RJ-11 Cu connector.

The box provides mechanical protection for the fiber and permits appropriate access while maintaining the highest standards of fiber management.

The box is typically used at the customer premises in the termination part of the access network.

The unit has the following features.

- Can be used flush mount or surface mount
- Compatible with almost any standard electricity box
- Compatible with 250 micron and 900 micron fiber types
- Innovative, removable fiber organizer system facilitates an easy installation in the field
- Fiber can be terminated using field-installable connectors, fusion splices, or TE Connectivity RECORDsplice
- Guaranteed minimum bending radius of 20mm
- One SC or duplex LC connector footprint
- Splice-through function allows moving the FO access point to any other point in the premise
- Provide a clean upgrade path for your indoor wiring by starting off with Cu and use the wall plug in combination with indoor Fi/Cu cabling
- Environmental friendly materials, low smoke zero halogen
- Cable entry points : back, bottom, side
- Xpres-drop compatible fiber-optic points

home - **EnLighten**  
FTTH Solutions

## Ordering information

**CPWO - X - X XX - X RJ X - X \***

### Profile

- S** Standard profile  
(hybrid Cu/fiber termination)
- L** Low profile  
(fiber-only termination)
- M** Low profile WITH shutter  
(fiber-only termination)

### Number of pigtails

- 0**
- 1**
- 2** (LC only)

### FO adaptor type

type	Standard connector	
Min.return loss	SC	LC
50 dB (UPC)	S1	L1
60 dB (APC 8°)	S2	L2
60 dB (APC 9°)	S3	
Low loss		
50 dB (UPC)	S6	
60 dB (APC 8°)	S7	
60 dB (APC 9°)	S8	

### Number of RJ connectors

- 0**
- 1** (only possible when profile 'S' is selected)

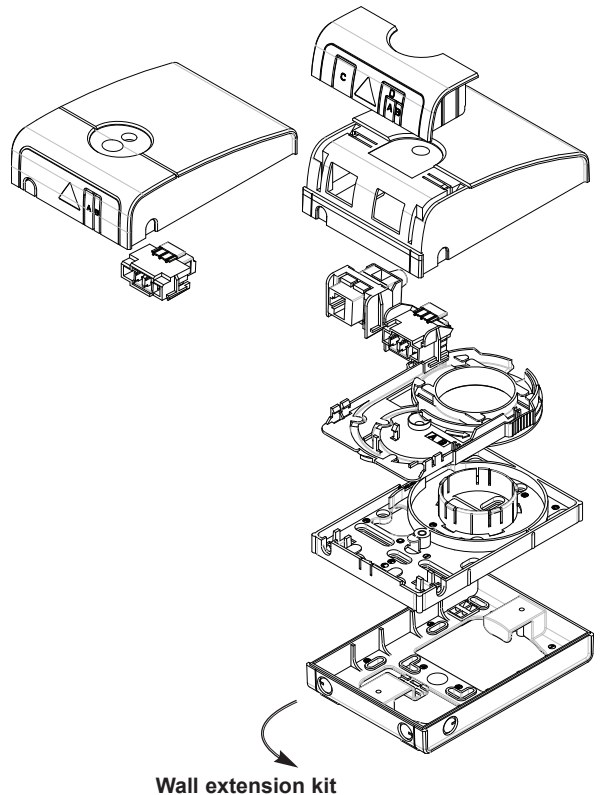
### Type of RJ connector

- 1** RJ 11 (toolless, CAT 3) and holder
- 4** RJ 45 (toolless, CAT 5E) and holder
- 0** No RJ connector holder

### Extension kit

- E** Extension kit
- N** No extension kit

\* MOQ = 10 pcs - order in multiples of 10.



Wall extension kit

### Dimensions (in mm)

- CPWO-S 81W x 116H x 38D
- CPWO-L 81W x 116H x 28D
- Max. cable diameter through face plate 6 mm
- Max. cable diameter through extension plate 9 mm

### Accessories

- CPWO-WE Wall extension kit\*
- CPWO-LABEL-(1000) Access screw cover and security label (MOQ/SPQ = 1000 pcs)
- CPWO-TUBE-10M Tubing for termination of cables without 900 µ coating (10 m long)

RECORDsplice, TE (logo) and TE Connectivity are trademarks of the TE Connectivity group of companies and its licensors.

The information given herein, including drawings, illustrations and schematics which are intended for illustration purposes only, is believed to be reliable. However, TE Connectivity makes no warranties as to its accuracy or completeness and disclaims any liability in connection with its use. TE Connectivity's obligations shall only be as set forth in TE Connectivity's Standard Terms and Conditions of Sale for this product and in no case will TE Connectivity be liable for any incidental, indirect or consequential damages arising out of the sale, resale, use or misuse of the product. Users of TE Connectivity products should make their own evaluation to determine the suitability of each such product for the specific application.

Tyco Electronics Raychem bvba

Diestsesteenweg 692

3010 Kessel-Lo, Belgium

Tel 32-16 351 011 (USA)1-919-557-8900

Fax 32-16 351 697 (USA)1-919-557-8498

www.te.com

www.telecomnetworks.com

TC 1033/DS/5 01/10