

## IFDB for Connectorized Applications

### Indoor Fiber Distribution Box

IFDB enclosures or floor boxes are points at which to break out fibers from an indoor riser cable into individual drops to the living units of an MDU. These drops provide a fiber optic connection to the living units.

The IFDB enclosures allow fibers from certain riser cables to be broken out without interrupting the strength member by making a small window cut, providing easy handling and fast installation.

IFDBs for Connectorized Applications offer fast deployment and easy customer connection. The larger IFDB-M floor box offers a clear 'homes passed' deployment. The new fiber management system is especially designed for easy fiber routing and storage. Once all splices are made, connections can be managed by less specialized installation crews. During the 'homes connected' rollout, the customer can easily be connected by patching connectors to the floor box. The patch panel offers operators ultimate flexibility.

IFDB enclosures are available for every application: spliced, connectorized and plug-and-play.

### Benefits

- Compact & esthetic design
- Easy to install
- Compatible with CommScope's unique mini-breakout & mini-bundle riser cables
- Fast customer connection
- Highly reliable, low maintenance and easy access

### General features

- IP 30 rating, indoor use only
- Front accessible
- Flame retardant LSZH material
- Compatible with mechanical, SMOUV and ANT splice protectors
- Not required to cut loop-through fibers from riser cable
- Wrap-around riser cable installation
- Controlled fiber management
- Transient-free customer provisioning
- In-line or butt configurations possible for riser cable

# IFDB for Connectorized Applications

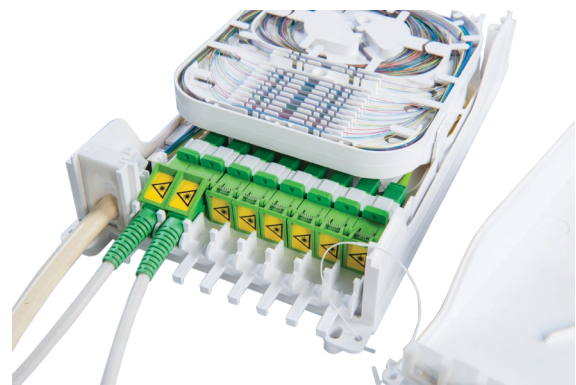
## Indoor Fiber Distribution Box

### Specific features



#### IFDB-S: 80mm x 80mm x 35mm (WxHxD)

- Window cuts as small as 50 mm possible with specific cable constructions such as the CommScope mini-breakout cable
- Drop cables can be directed to 4 different sides by rotating the splice module on the base module
- Can hold 2 SC connectors
- Main cable diameter up to 10,5 mm
- Drop cable diameter up to 5 mm
- Optional external shutters for laser safety



#### IFDB-M: 126mm x 216mm x 49mm (WxHxD)

- Clear demarcation between homes passed and homes connected
- Separate storage of unused fibers
- Hingeable adapter position for easy access
- Supports integration of PON splitters
- Supports up to 8 SC connections
- External shutters for laser safety
- Main cable up to 11 mm diameter
- Drop cable up to 6 mm diameter
- Window cuts as small as 70 mm possible with specific cable constructions such as the CommScope mini-breakout cable
- Separate loop storage tray for storage of unconnected fibers
- Up to 2 independent repair trays to allow up to 48 repair splices of the riser cable \*
- Repair trays with 3 clicking positions (90, 135 and 180 degrees) to allow maximum accessibility to the base area (splicing area) independent of the position of the box.
- Inner cover to secure demarcation point

\*not possible when PON splitters are installed

# IFDB for Connectorized Applications

Indoor Fiber Distribution Box

## Ordering Information IFDB-S

### IFDB-S-U-NN-1

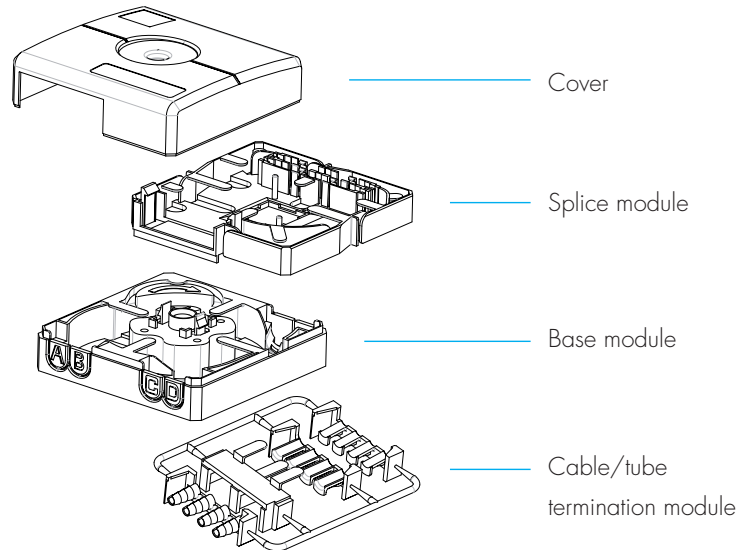
#### Kit Content IFDB-S

- Base module for main cable management
- Splice module
- Cover
- Main and drop cable fixation accessories

Minimum order quantity (MOQ): 20 pcs

To be ordered in multiples of 20 pcs

Kit content can be used for both spliced and connectorized applications.



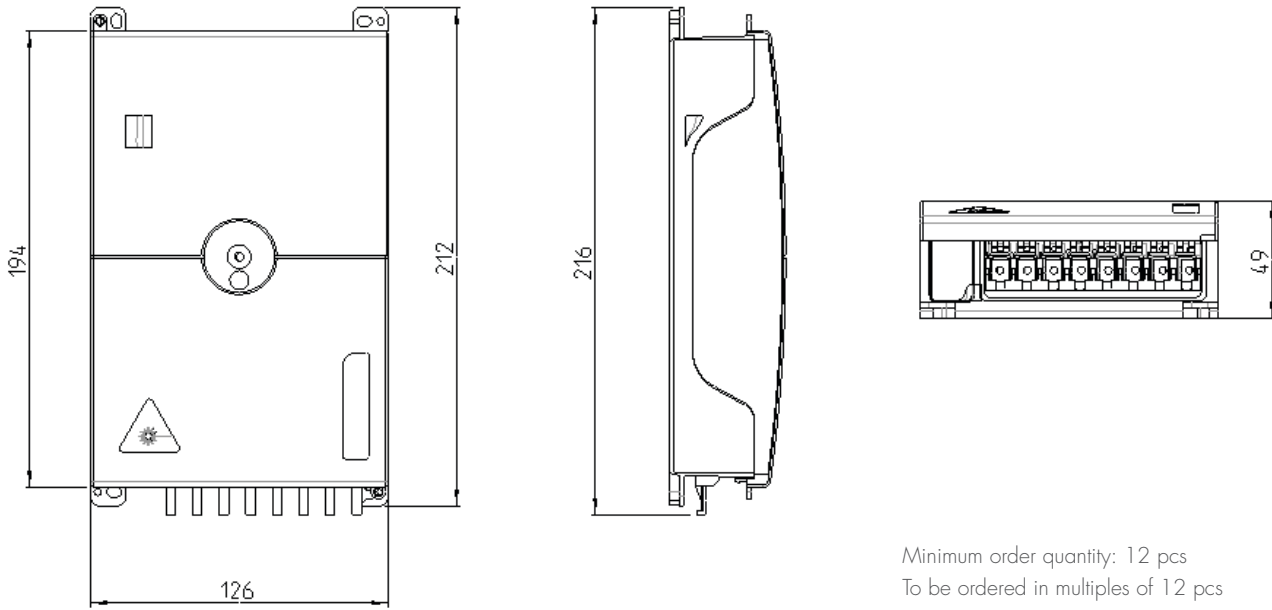
#### Accessories IFDB-S

Description	Ordering Number
Fiber guiding tubing	TUBE-28-1-300
Tubing fixation boot	YPSO-BOOTH-RED-1-(200)
Cover screw and access protection labels	CPWO-Label-kit-1000
Flangeless adapters for connector based solution	SC / APC: OC-ADP-S2-S2-NFCS-(24)
	SC / UPC: OC-ADP-S1-S1-NFCS-(24)
Pigtails for connector based solution	SC / APC: OCP-S2-01MASEN-XX
	SC / UPC: OCP-S1-01MASEN-XX

# IFDB for Connectorized Applications

Indoor Fiber Distribution Box

## DIMENSIONS IFDB-M



## ORDERING INFORMATION IFDB-M / Pre-Configured Box

**IFDB-M-T- X XX XX - XXX - X**

### Configuration

P	Adapters and pigtails*
A	Adapters only, only possible in case of splitters

Adapters pre-installed in the factory.

\* Pigtails included in the packaging, not pre-installed

### Number of connections

04	4 connections
08	8 connections

### Adapter/connector type

S2	SC/APC C-grade according to IEC61755-1
----	--

### External adapter shutters

1	External shutter for laser safety
---	-----------------------------------

### Splitter options

NNN	No splitters
114	1 pc 1x4 grade P planar pre-terminated splitter
118	1 pc 1x8 grade P planar pre-terminated splitter

Splitters pre-installed in the factory

## Accessories IFDB-M

Description	Ordering Number
Tamper resistant label to cover the screw area	CPWO-LABEL-KIT-1000
Upgrade kit for 4 SC/APC connections	OCKITOCP4-ADP4-S2



[www.commscope.com](http://www.commscope.com)

Visit our website or contact your local CommScope representative for more information.

© 2015 CommScope, Inc. All rights reserved.

All trademarks identified by ® or ™ are registered trademarks or trademarks, respectively, of CommScope, Inc.

This document is for planning purposes only and is not intended to modify or supplement any specifications or warranties relating to CommScope products or services.

PS-319100.5-EU (09/15)