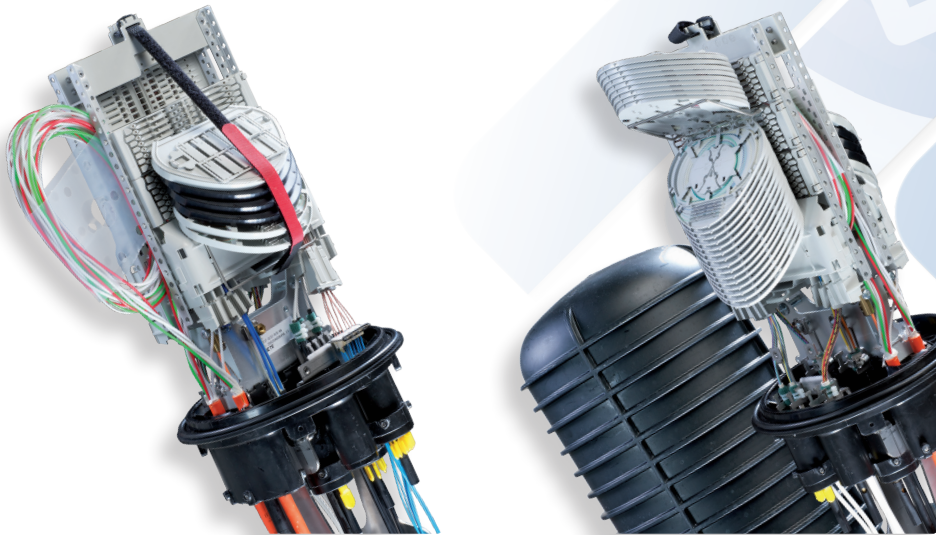


FIST GENERIC CLOSURE ORGANIZER



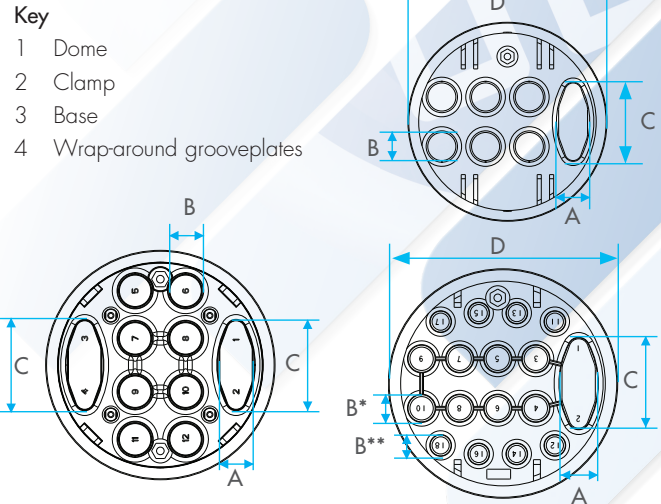
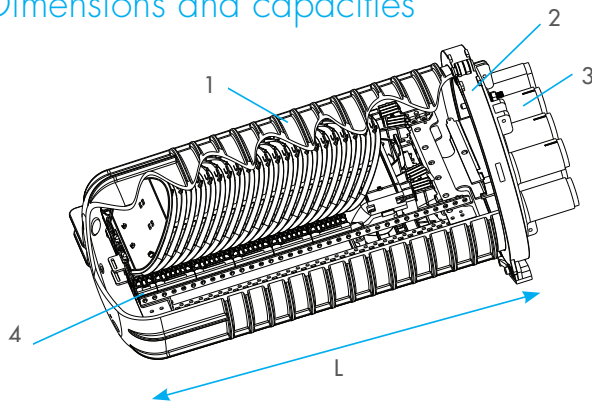
The generic closure FIST-GCO2 is an environmentally sealed enclosure for the FIST fiber management system allowing splicing and passive component integration in the external network.

Features

- Single-ended design
- Base and dome sealed with clamp and O-ring system
- 6, 8 or 16 round entry/exit ports for drop cables and 1 or 2 oval ports for looped cable
- UMS (universal mounting system) profiles provide foundation for mounting combinations of SOSA2 (splice only sub-assembly) and/or SASA3 (splitter array sub-assembly) modules, which consist of a modular grooveplate and trays
- Compatible with most common cable types: e.g. loose tube, central core, ribbon fiber
- Uncut fibers can be stored as single circuits in trays and/or as cable elements in storage space between profiles.
- Storage baskets available for mass storage of fibers of central core cable constructions.
- Closure can be used in aerial, pedestal and underground (up to 5 meters) environments

FIST GENERIC CLOSURE ORGANIZER

Dimensions and capacities



	GCO2-BC		GCO2-BD		GCO2-BE	
Closure dimensions in mm						
Length (L)	488		566		680	
Width at base (D)	247		247		247	
Width at base with clamp	285		285		285	
Cable port dimensions in mm						
Oval port (A/C)	30/82		30/82		30/82	
Round ports (B/B*/B**)	30 (20/13.5)		30 (20/13.5)		30 (20/13.5)	
Cable port capacity in mm						
Oval port (2 cables/port)						
Minimum Ø	2x12		2x12		2x12	
Maximum Ø	2x25		2x25		2x25	
6/8 round ports (1 cable/port)						
Minimum Ø	5		5		5	
Maximum Ø	30		30		30	
16 round ports (1 cable/port)						
Minimum Ø	5		5		5	
Maximum Ø	20		20		20	
Splice capacity						
	Fibers	Trays	Fibers	Trays	Fibers	Trays
Single circuit splicing (2 primary coated fibers)	112	56	160	80	224	112
Single element splicing (12 primary coated fibers)	336	28	480	40	672	56
Ribbon fiber splicing (4/8-fibers)	224	28	336	42	464	58
Ribbon fiber splicing (12-fiber)	192	16	336	28	432	36

Capacities shown above are based on use of FIST-SOSA2 trays; capacity can be increased by the use of FIST-SOSA2-5SE modules or FIST-SOSA2-SLE trays. Please contact your local CommScope sales representative for more information.

NOTE: Use of the FIST-SOSA2-SLE limits fiber length and allowable bend radius.

FIST GENERIC CLOSURE ORGANIZER

Ordering Information

FIST-GCO2- _____ - _____

Closure size

BC	488 mm long with (2) 28 unit UMS
BD	566 mm long with (2) 42 unit UMS
BE	680 mm long with (2) 58 unit UMS

Number of ports

6	Round ports	(6: ø 30) + 1 oval port
8	Round ports	(8: ø 30) + 2 oval ports
16	Round ports	(8 : ø 20) + 1 oval port (8 : ø 13.5)

Flash test valve

V	Pre-installed flash test valve
N	No flash test valve

Ground feed-through

G	Pre-installed ground feedthrough
N	No ground feedthrough

For more technical options and order quantity information, please consult the product ordering guide or your local sales representative.