







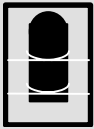


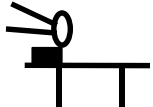

Ordering Guide of the Mounting Kits for Closures (MOBRA)

The intention of this document is to provide assistance when ordering a mounting bracket for a closure. For each closure type, the different available mounting bracket kits are listed with ordering reference and picture.

Note that the text between brackets is NOT part of the ordering code, but for information only.

1 Mounting kits for FOSC-400A and FOSC-400B	2
2 Mounting kits for FOSC-400D	3
3 Mounting kits for FIST-GCO and FIST-GCO2	4
4 Mounting kits for FIST-GCOG and FIST-GCOG2	5
5 Mounting kits for FOSC-DMARC	6



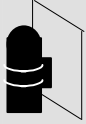




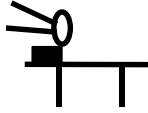



1 Mounting kits for FOSC-400A and FOSC-400B

Mounting type	Kit options	
<p>On a pole</p> 	<p>FOSC-A/B-UNI-MOUNT-P</p>  <p>7N752056.JPG</p>	<p>FOSC-A/B-POLE-MOUNT</p>  <p>7N752051.JPG</p>
<p>On a wall</p> 	<p>FOSC-A/B-UNI-MOUNT-W</p>  <p>7N752054.JPG</p>	
<p>On a cable strand/ rod</p> 	<p>FOSC-A/B-UNI-MOUNT-A (strand)</p>  <p>7N752055.JPG</p>	<p>FOSC-A/B-UNI-MOUNT-R (rod)</p>  <p>7N752057.JPG</p>
<p>In a manhole / handhole</p> 	<p>FOSC-A/B-MOBRA (use only for vertical mounting !)</p>  <p>7N752060.JPG</p>	<p>FOSC-A/B-MOBRA can be used in combination with FOSC-OPGW-MCAP (stainless steel protection cap)</p>  <p>7N753799.JPG</p>
<p>Workstand</p> 	<p>FOSC-WORK-STAND</p>  <p>7N752053.JPG</p>	




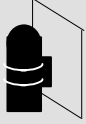


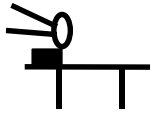


2 Mounting kits for FOSC-400D

Mounting type	Kit options
<p>On a pole</p>  <p>On a wall</p>  <p>In a manhole / handhole</p> 	<p>FOSC-400D-POLE-MOUNT (not for D5/B)</p>  <p>7N752047.JPG</p> <p>or</p> <p>FIST-UNI-MOUNT-W</p>  <p>7N752063.JPG</p> <p>or</p> <p>FOSC-DMARC-MOBRA</p>  <p>7N752048.JPG</p>
<p>Workstand</p> 	<p>FOSC-WORK-STAND</p>  <p>7N752061.JPG</p>


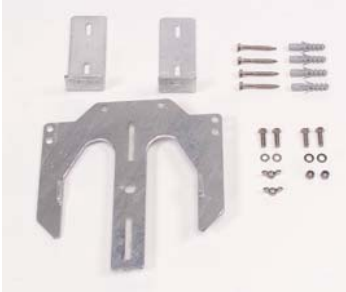
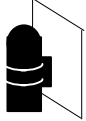

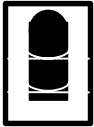
3 Mounting kits for FIST-GCO and FIST-GCO2

Mounting type	Kit options	
<p>On a pole</p> 	<p>FIST-MOUNTING-KIT (for BC6 size only)</p>  <p>7N752049.JPG</p>	
<p>On a wall</p> 	<p>FIST-MOUNTING-KIT (for BC6 size only)</p>  <p>7N752049.JPG</p> <p>FIST-UNI-MOUNT-W</p>  <p>7N752063.JPG</p>	<p>FIST-MOBRA4-FIX (6 port base)</p>  <p>FCFM101.JPG</p> <p>FIST-MOBRA-16-FIX (16 port base)</p>  <p>FCFM101B.JPG</p>
<p>Workstand</p> 	<p>FIST-WORK-STAND</p>  <p>MOBRA040.JPG</p>	<p>FIST-WORKSTAND-H (6 port base) (hingeable)</p>  <p>7N3K0521.JPG</p> <p>FISTWORKSTAND-16-H(16 port base) (hingeable)</p>  <p>7N753818.JPG</p>

4 Mounting kits for FIST-GCOG and FIST-GCOG2

Mounting type	Kit options	
<p>On a pole</p> 	<p>FIST-GCOG-MOBRA</p>  <p>7N751497.JPG</p>	<p>FIST-GCOG-POLE-KIT</p>  <p>7N751495.JPG</p>
<p>On a wall</p> 	<p>FIST-GCOG-MOBRA</p>  <p>7N751497.JPG</p>	<p>FIST-GCOG-WALL-KIT</p>  <p>7N751496.JPG</p>
<p>Workstand</p> 	<p>FIST-GCOG-MOBRA</p>  <p>7N751497.JPG</p>	<p>FIST-GCOG-L-BRACKET</p>  <p>7N752062.JPG</p>
	<p>FIST-GCOG-CCLAMP (3 clamps)</p>  <p>7N752058.JPG</p>	<p>FIST-GCOG-CAPH</p>  <p>7N753798.JPG</p>

5 Mounting kits for FOSC-DMARC

Mounting type	Kit options
<p>On a pole</p> 	<p>FOSC-DMARC-MOBRA</p>  <p>7N752048.JPG</p>
<p>On a wall</p> 	<p>or</p> <p>FOSC-400D-POLE-MOUNT</p>  <p>7N752047.JPG</p>
<p>In a manhole / handhole</p> 	

All of this information, including illustrations, is believed to be reliable. Users, however, should independently evaluate the suitability of each product for their application. Tyco Electronics makes no warranties as to the accuracy or completeness of the information and disclaims any liability regarding its use. Tyco Electronics' only obligations are those in the Standard Terms and Conditions of Sale for this product and in no case will Tyco Electronics be liable for any incidental, indirect or consequential damages arising from the sale, resale, use or misuse of the product. Tyco Electronics Specifications are subject to change without notice. In addition, Tyco Electronics reserves the right to make changes in materials or processing, without notification to the Buyer, which do not affect compliance with any applicable specification.

Tyco, FIST and FOSC are trademarks.
© Copyright Tyco Electronics 2000