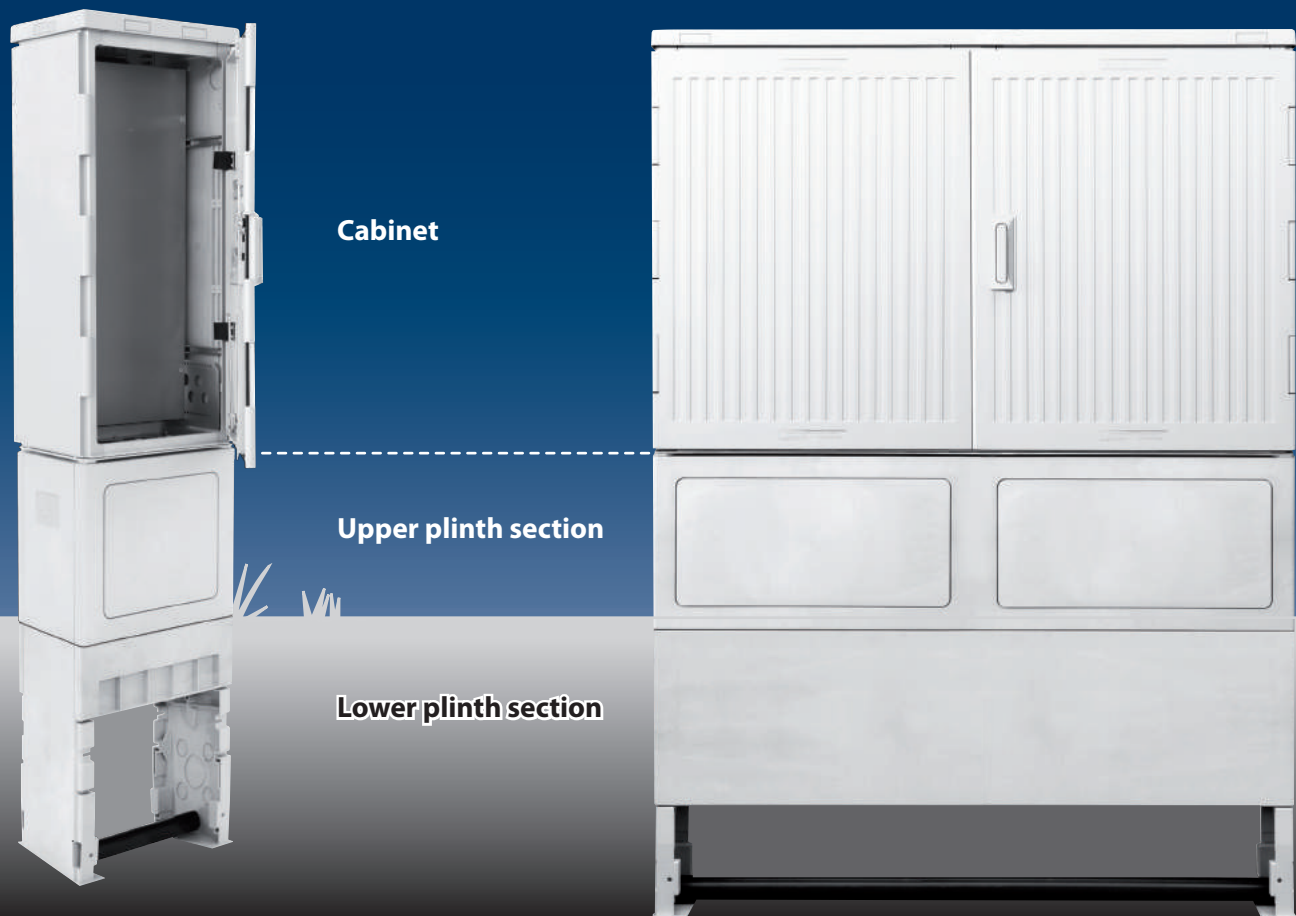


# Cabinet **UNI** | **82** | **83**

## Product Catalogue

Basic Cabinets  
Expansions and Accessories





## Cabinet UNI, 82 and 83

The Cabinets are single-wall cabinets with one or two doors (standard). They are designed for installation in non-weatherproof areas and are made of glass-reinforced polycarbonate (PC-GF5 RAL 7038).

Textured surfaces on the door and the rear panel prevent unwanted billposting.

### Properties and benefits

- **Outdoor cabinet, single shell** made from glass fibre-reinforced polycarbonate (RAL 7038)
- **Frame made of aluminium** (UNI), depth adjustable or **frame made of stainless steel** (82, 83)
- **Surface profiling** to prevent bill posting
- Can be installed in series (side-by-side, back-to-back)
- Door(s) with **door-stay** (opening angle >120°) and **three-point locking mechanism with swivel arm** or **grip handle** for profile half cylinder
- **Extremely durable** (> 25 years)
- **Predetermined breaking elements** to protect the cabinet and plinth
- Outer parts can be removed **without interruption of service**

Suitable plinth or mounting frame can be supplied



## Norms and Standards (dependent on equipment)

Design Requirements	
DIN 43629-2	Cable distribution cabinet, plinth, installation dimensions (Cabinet 83 and Plinth 83)
Deutsche Telekom TS 0032/96	Base for cable distribution cabinet (Plinth 84, 83)
Deutsche Telekom TS 0051/96	Outdoor cabinet for passive telecommunications
Deutsche Telekom Gf-NVt/10	Fibre optic network distributor
ETS 300119-3, -4, DIN 43356	ETS racks and assembly racks
VDI Guideline 2243	Separability of materials
DIN ISO 2768-1 (m)	Tolerances
Mechanical and climatic durability	
DIN 47609	Weatherproof plastic coupler cabinets for telecommunication, control and signalling cables; mechanical strength, resistance to fracture, water condensation
ETSI EN 300019-1-4 class 4.1E	Operating ambient temperature range from -45° to +45°C (without sunlight)
DIN EN 60068	Cold, dry heat, changes in temperature, damp heat, vibration, continuous shocks
-2-1, -2-2, -2-14, -2-56, -2-30, -2-6, -2-64, -2-29; IEC 68-2-2	Public transport dry heat +70°C
ETSI EN 300019-2-2 T 2.3	Public transport
IEC 62262, DIN EN 50102/A1, EC 60068-2-75, VDE 0470-100, DIN EN 62262	Outer mechanical stress Shock resistance grade IK 10
EN 61439-5, IEC 61439-5, DIN EN 61439-5, VDE 0660-600-5	Cable distribution enclosures in energy supply networks (low voltage switchgear assemblies)
DIN 1055-4	Wind load
Deutsche Telekom TS 0032/96	Technical specifications for plinths for cable distribution cabinets Torsional resistance, shock resistance of the predetermined breaking elements, etc.
DIN 50018-KWF 0,2S	Corrosion resistance of metal parts; condensation water alternating atmosphere with an atmosphere with sulphur dioxide content
FTZ standard	Behaviour in the event of temperature and moisture penetration, dew test
Electrical requirements and safety	
DIN 40050, IEC 529, VDE 0470, EN 60529	Protection rating IP 54, 44
EN 60950-1, EN 50124-1	Protection class II, dielectric strength and insulation coordination of railway applications
DIN VDE 0100-410, DIN EN 50 174, DIN VDE 0800-2, DIN VDE 0100-520	Earthing measures
Environment	
DIN ISO 11469, DIN 1451	Marking plastic for correctly sorted recycling
TA Lärm (German noise prevention code, equivalent to ETS 300753), ISO 9613-2, ISO 3744, ISO 3746, BImSchG (German Federal immission control act)	Noise emissions, immission protection
Authorisations and approvals	
Deutsche Telekom TL 5975-3049, TS 0051/96, TS 0032/96, Gf-NVt/10	Type sample testing and technical specifications for Deutsche Telekom cabinet and plinth
DB series release, serial number 0197	Approval of cable distribution cabinet for signal and telecommunication technology

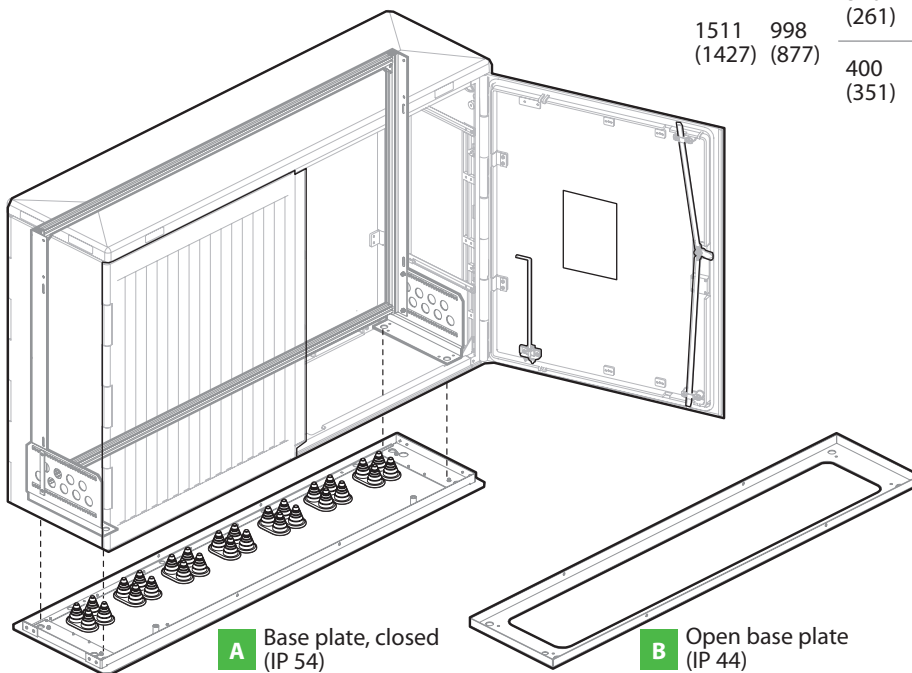
## Equipment of basic cabinet UNI

- Cabinet with the **label** SICHERT / [ neutral ]
- Door with **single locking mechanism swivel arm** (PA6) or **double locking system** (GDZn),
- **Door stay** (opening angle >120°), **document pocket A5**
- **Frame** depth adjustable with **grounding point** for  $\varnothing$  8...10 mm
- **Base plate, closed** with 2-way rubber grommets (for  $\varnothing$  9.5 to 42 mm) or **open base plate**

### UNI 15

Base UNI 15/310 **55.8041.00.00**  
 Base UNI 15/400 **55.8042.00.00**

Dimensions in mm external (internal)			Article number	
Width	Height	Depth	Single locking system	Double locking system
1511 (1427)	998 (877)	310 (261)	<b>A</b> 54.8010.00.00	54.8030.00.00
			<b>B</b> 50.8010.00.00	50.8030.00.00
		400 (351)	<b>A</b> 54.8012.00.00	54.8032.00.00
			<b>B</b> 50.8012.00.00	50.8032.00.00



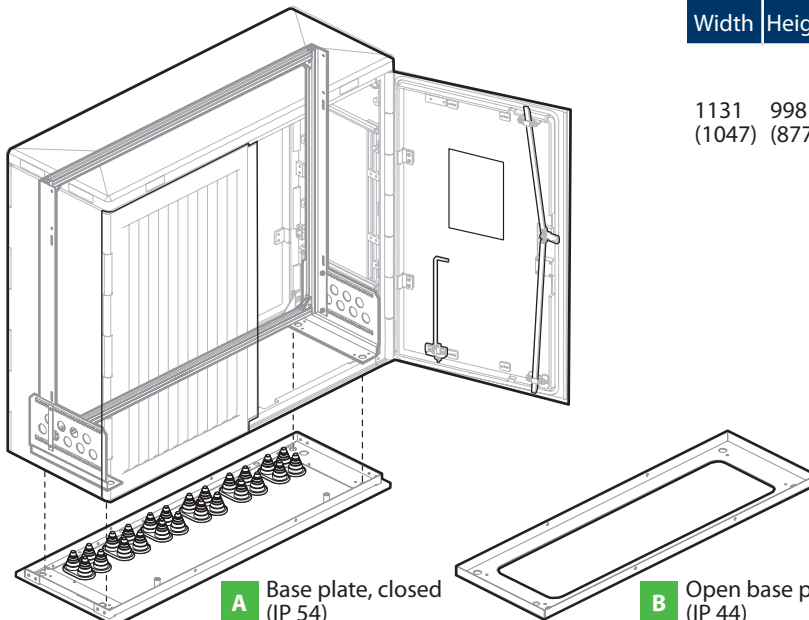
**A** Base plate, closed  
(IP 54)

**B** Open base plate  
(IP 44)

### UNI 11

Base UNI 11/310 **55.6041.00.00**  
 Base UNI 11/400 **55.6042.00.00**

Dimensions in mm external (internal)			Article number	
Width	Height	Depth	Single locking system	Double locking system
1131 (1047)	998 (877)	310 (261)	<b>A</b> 54.6010.00.00	54.6030.00.00
			<b>B</b> 50.6010.00.00	50.6030.00.00
		400 (351)	<b>A</b> 54.6012.00.00	54.6032.00.00
			<b>B</b> 50.6012.00.00	50.6032.00.00



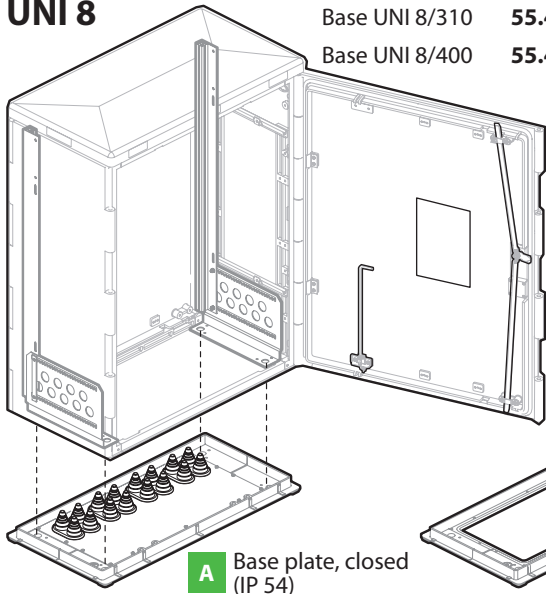
**A** Base plate, closed  
(IP 54)

**B** Open base plate  
(IP 44)

# Basic cabinet UNI and standard plinth (base)

## UNI 8

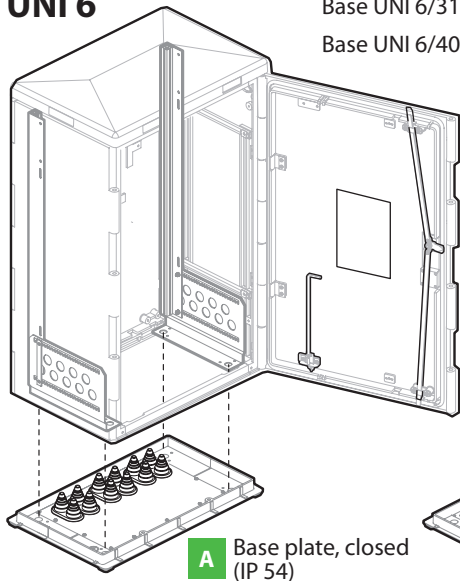
Base UNI 8/310 **55.4001.00.00**  
Base UNI 8/400 **55.4002.00.00**



Dimensions in mm external (internal)			Article number	
Width	Height	Depth	Single locking system	Double locking system
998 (877)	310 (261)	A	<b>54.4010.00.00</b>	<b>54.4030.00.00</b>
		B	<b>50.4010.00.00</b>	<b>50.4030.00.00</b>
	400 (351)	A	<b>54.4012.00.00</b>	<b>54.4032.00.00</b>
		B	<b>50.4012.00.00</b>	<b>50.4032.00.00</b>
754 (670)	848 (727)	A	<b>54.4006.00.00</b>	<b>54.4026.00.00</b>
		B	<b>50.4006.00.00</b>	<b>50.4026.00.00</b>
	400 (351)	A	<b>54.4008.00.00</b>	<b>54.4028.00.00</b>
		B	<b>50.4008.00.00</b>	<b>50.4028.00.00</b>
698 (577)	310 (261)	A	<b>54.4002.00.00</b>	<b>54.4022.00.00</b>
		B	<b>50.4002.00.00</b>	<b>50.4022.00.00</b>
	400 (351)	A	<b>54.4004.00.00</b>	<b>54.4024.00.00</b>
		B	<b>50.4004.00.00</b>	<b>50.4024.00.00</b>

## UNI 6

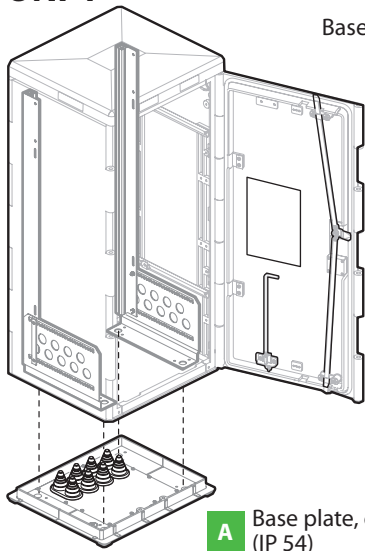
Base UNI 6/310 **55.2001.00.00**  
Base UNI 6/400 **55.2002.00.00**



Dimensions in mm external (internal)			Article number	
Width	Height	Depth	Single locking system	Double locking system
594 (510)	998 (877)	A	<b>54.2010.00.00</b>	<b>54.2030.00.00</b>
		B	<b>50.2010.00.00</b>	<b>50.2030.00.00</b>
	400 (351)	A	<b>54.2012.00.00</b>	<b>50.2032.00.00</b>
		B	<b>50.2012.00.00</b>	<b>50.2032.00.00</b>

## UNI 4

Base UNI 4/310 **55.0001.00.00**  
Base UNI 4/400 **55.0002.00.00**



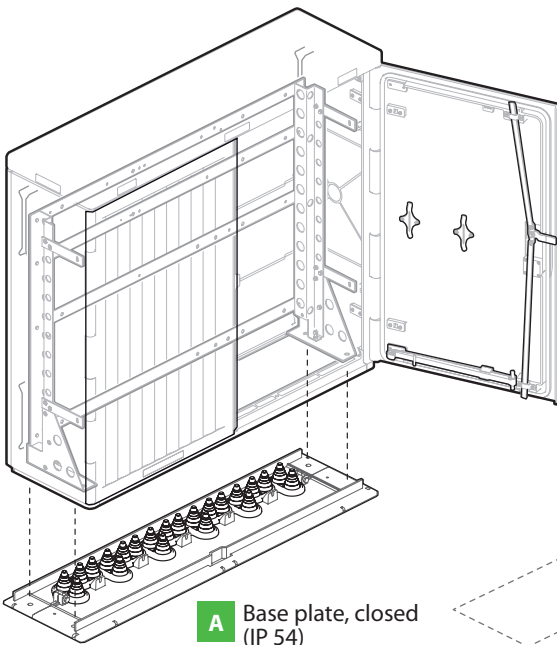
Dimensions in mm external (internal)			Article number	
Width	Height	Depth	Single locking system	Double locking system
998 (877)	310 (261)	A	<b>54.0010.00.00</b>	<b>54.0030.00.00</b>
		B	<b>50.0010.00.00</b>	<b>50.0030.00.00</b>
	400 (351)	A	<b>54.0012.00.00</b>	<b>54.0032.00.00</b>
		B	<b>50.0012.00.00</b>	<b>50.0032.00.00</b>
442 (358)	848 (727)	A	<b>54.0006.00.00</b>	<b>54.0026.00.00</b>
		B	<b>50.0006.00.00</b>	<b>50.0026.00.00</b>
	400 (351)	A	<b>54.0008.00.00</b>	<b>54.0028.00.00</b>
		B	<b>50.0008.00.00</b>	<b>50.0028.00.00</b>
698 (577)	310 (261)	A	<b>54.0002.00.00</b>	<b>54.0022.00.00</b>
		B	<b>50.0002.00.00</b>	<b>50.0022.00.00</b>
	400 (351)	A	<b>54.0004.00.00</b>	<b>54.0024.00.00</b>
		B	<b>50.0004.00.00</b>	<b>50.0024.00.00</b>

## Cabinet 82 and 83 (with basic frame standard type)

- Cabinet with the **label** SICHERT / [ neutral ]
- Door with **single locking mechanism swivel arm** (PA6) or **double locking** (GDZn), **door stay** and **document clamps**
- **Frame** made of stainless steel with grounding point for  $\varnothing 8...10$  mm
- **Base plate**, closed with 2-way rubber grommets (for  $\varnothing 9.5$  to 42 mm) or open base plate

**83**

Base 83

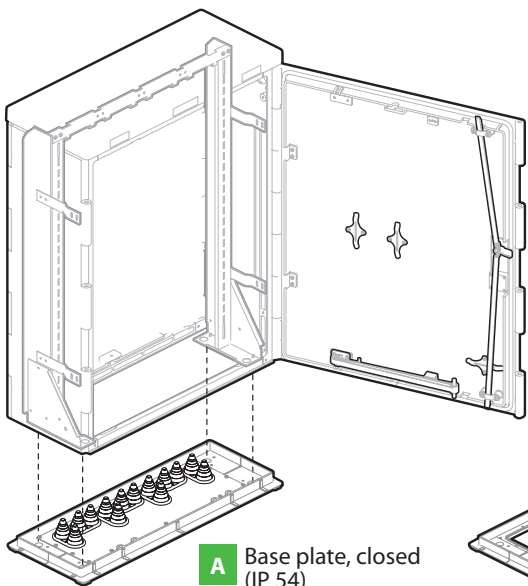
**59.1965.00.00**

**A** Base plate, closed  
(IP 54)

**B** Without base plate  
(IP 44)

Dimensions in mm			Article number	
external (internal)			Single locking system	Double locking system
Width	Height	Depth		
1128 (1030)	1005 (890)	326 (265)	<b>A</b> (upon request)	<b>59.2393.00.00</b>
			<b>B</b> (upon request)	<b>59.1803.00.00</b>

**82**

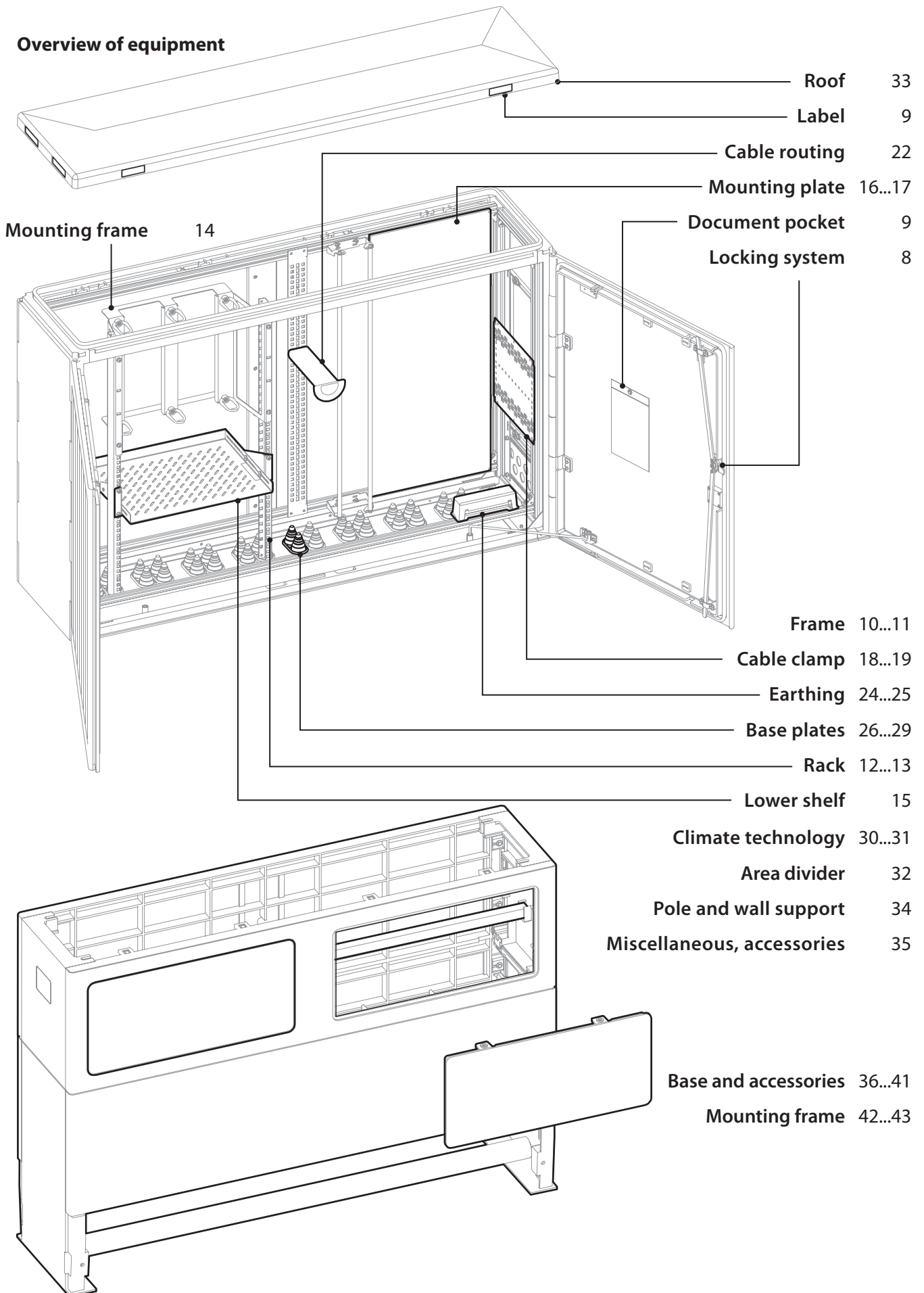
Base 84

**59.2127.00.00**

**A** Base plate, closed  
(IP 54)

**B** Open base plate  
(IP 44)

Dimensions in mm			Article number	
external (internal)			Single locking system	Double locking system
Width	Height	Depth		
754 (670)	998 (877)	310 (261)	<b>A</b> <b>59.2357.00.00</b>	(upon request)
			<b>B</b> <b>59.1724.00.00</b>	(upon request)

## Overview of equipment



Roof 33

Label 9

Cable routing 22

Mounting plate 16...17

Document pocket 9

Locking system 8

Mounting frame 14

Frame 10...11

Cable clamp 18...19

Earthing 24...25

Base plates 26...29

Rack 12...13

Lower shelf 15

Climate technology 30...31

Area divider 32

Pole and wall support 34

Miscellaneous, accessories 35

Base and accessories 36...41

Mounting frame 42...43

## Locking systems

- Double or single locking system swivel arm lock
- Mounting profile half cylinders according to DIN 18252
- **Optional coating in special colour**

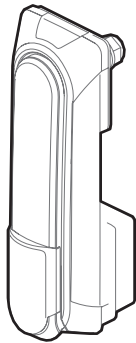
 DIN  
18252

 IP65  


 GDZn  
PA6

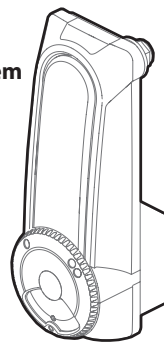
Swivel arm  
Single locking system  
Plastic

**A**  
Standard



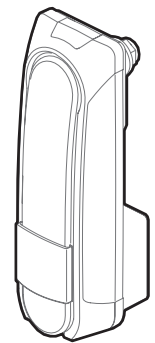
Swivel arm  
Double locking system  
Metal

**B**  
Standard



Swivel arm  
Single locking system  
Metal

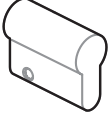
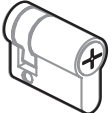

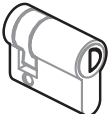
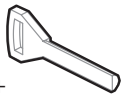
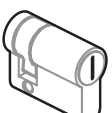

**C D E**



Type of locking system	Material	RC2	For cylinder length in mm	RAL 7038	Special features	Article number
<b>A</b> Single locking	PA6 GF30	–	40	Uncoated	Standard	<b>59.1802.02.00</b>
<b>B</b> Double locking	GDZn (Zamak)	•	40 or 45		Standard	<b>59.1802.05.00</b> <b>59.1802.05.00E1</b> Spare part
<b>C</b>			40	Powder-coated		<b>59.1802.11.00</b>
<b>D</b> Single locking	GDZn (Zamak)	•	KABA 1514		KABA half cylinder	<b>59.1802.16.00</b>
<b>E</b>			40		Electro-mechanical	<b>59.1802.14.00</b>

 Other versions upon request

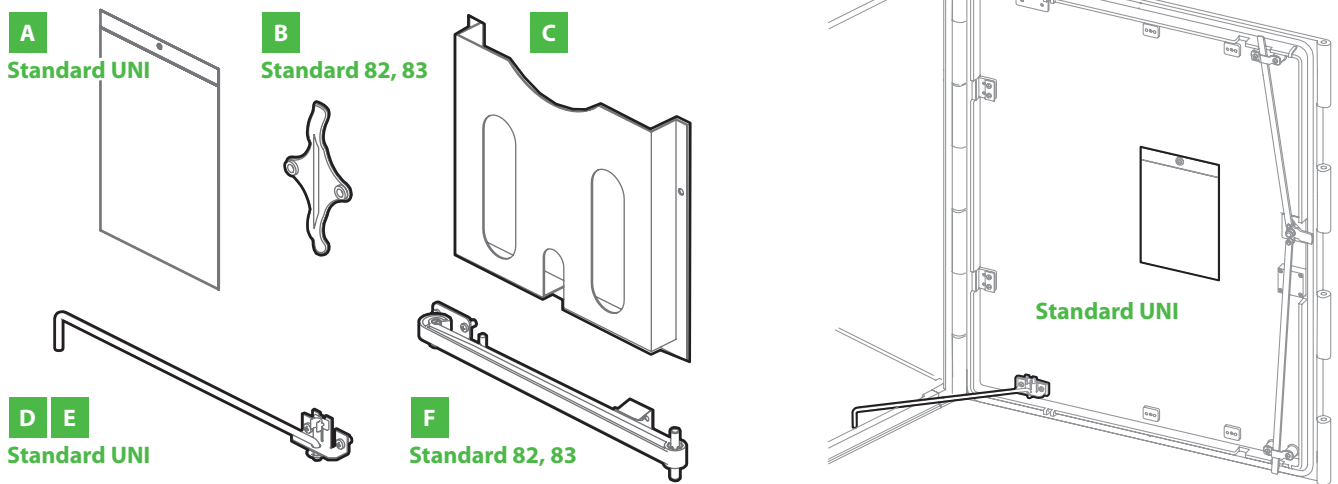
## Locks and keys

For swivel arm	Profile half cylinder 40 mm	Number of keys	Article number
<b>B E</b>	Dummy cylinder 	–	<b>59.0531.02.05</b>
<b>A B C E</b>	Q15 / Q19 	1x 	<b>59.0531.02.29</b> Q15 1x <b>59.0531.02.23</b> Q19
	SICHERT 	1x 	<b>59.0531.02.24</b> 2x <b>59.0531.02.02</b>
	Temporary locking 	1x 	<b>59.0531.02.42</b>
<b>B E</b>	(cylinder not installed)	Emergency key 1x	<b>59.0531.02.19</b> 10x <b>59.0531.02.19E1</b>

 Other versions upon request

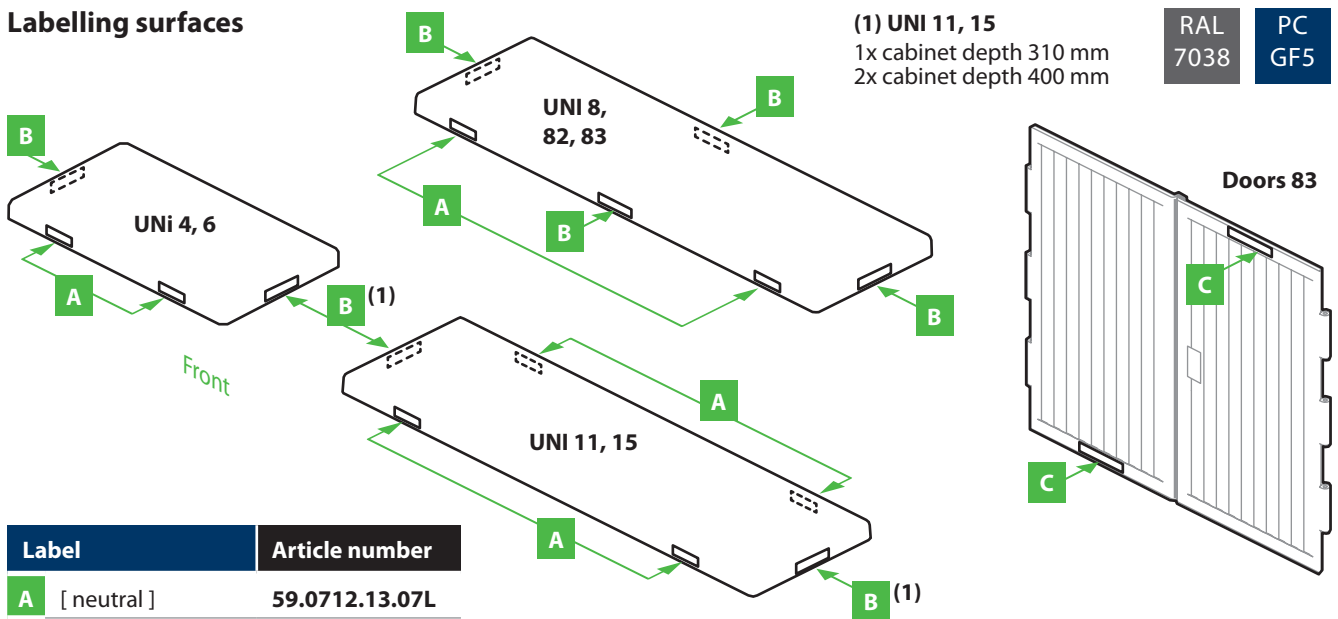


## Door stay and document pocket



Part	Material	Mounting material	Article number
<b>A</b> Pocket DIN A5 (upright), transparent	PVC, soft	-	<b>59.2120.03.03</b>
<b>B</b> Document clamp	PA6	-	<b>59.0531.00.12</b>
<b>C</b> Document holder DIN A4 (upright)	PS	-	<b>59.1708.00.02</b>
Support plate with mounting material for mounting in UNI, 82, 83		•	<b>59.1708.02.00</b> Adapter
<b>D</b> Door stay for UNI 4, 6 (opening angle >120°)	Steel Fe/Zn	-	<b>59.2120.03.01</b>
<b>E</b> Door stay for UNI 8, 11, 15 and 82 (opening angle >120°)		•	<b>50.4001.07.00</b> Retrofit kit
<b>F</b> Door stay for 82, 83, UNI 8, 11, 15 (opening angle >120°)	PA6-GF30	-	<b>59.0712.10.21</b>
		•	<b>54.4053.01.00</b> Conversion kit

## Labelling surfaces



(1) UNI 11, 15  
1x cabinet depth 310 mm  
2x cabinet depth 400 mm

RAL 7038 PC GF5

Label	Article number
<b>A</b> [ neutral ]	<b>59.0712.13.07L</b>
<b>B</b> SICHERT [ neutral ]	<b>59.0712.13.04L</b> <b>59.0712.13.09L</b>
<b>C</b> Bekleben verboten [ neutral ]	<b>59.0712.13.15L</b> <b>59.0712.13.39</b>

### Standard

<b>A</b>	69 x 21 mm
<b>B</b>	92 x 21 mm
<b>C</b>	Bekleben verboten Anschläge werden kostenpflichtig entfernt 155 x 21 mm

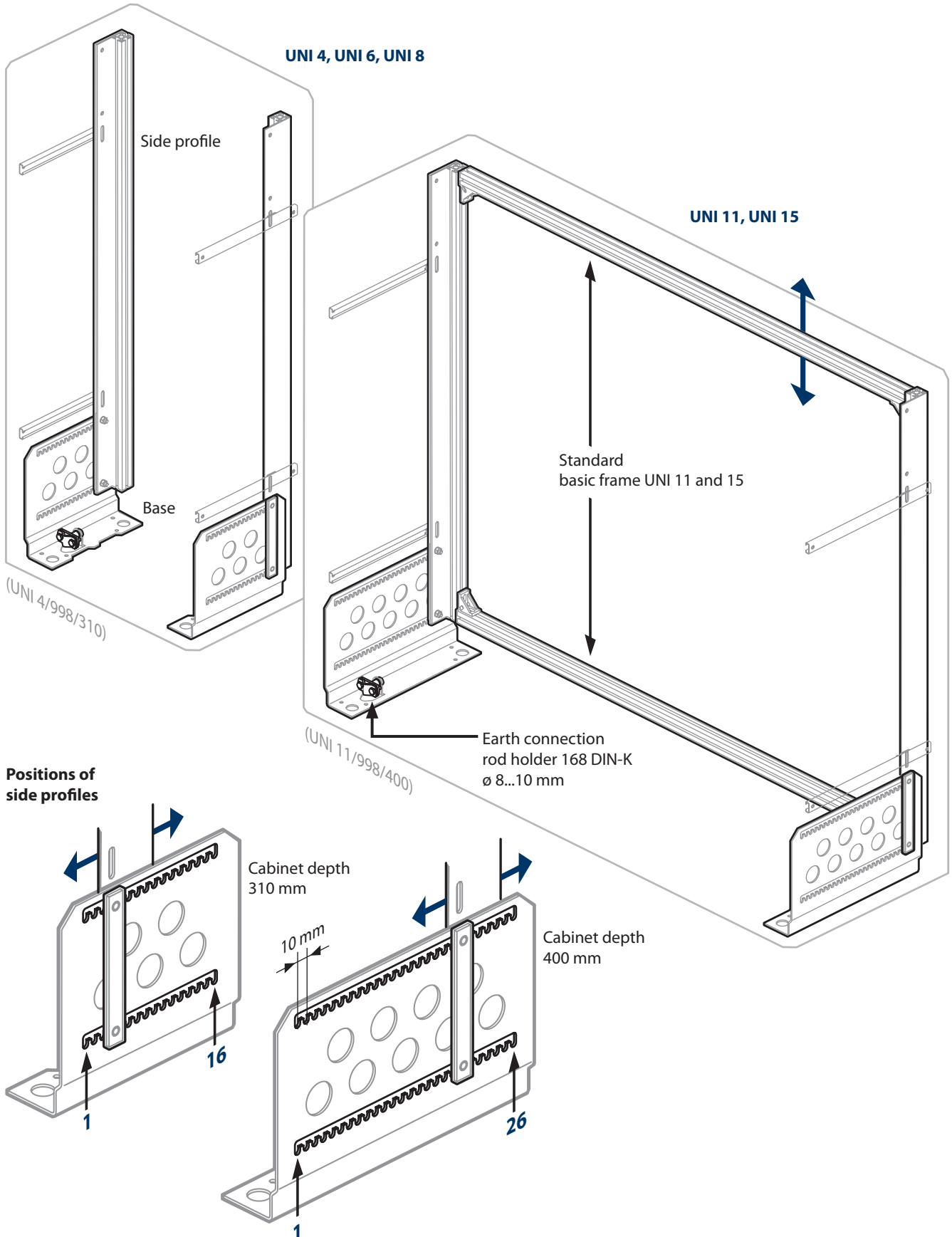
Customized labeling upon request

**UNI basic frame** (component of basic cabinet)

AlMg

25x25  
mm

- Side profiles are depth adjustable from within
- Complete with earth connection  $\varnothing 8...10$  mm

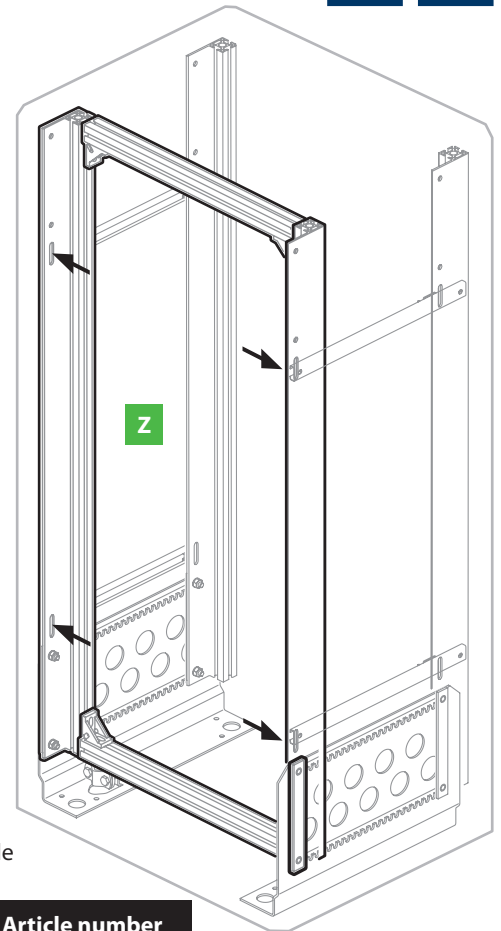
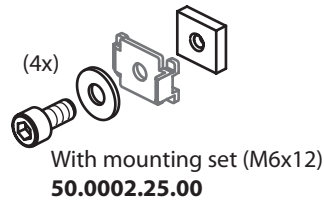


## Additional profile frame UNI

AlMg 25x25 mm

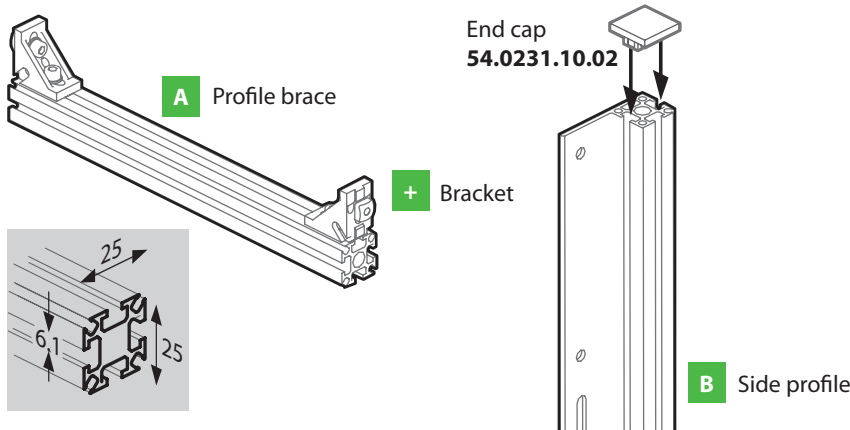
- Complete with mounting material

For cabinet height 998 mm	Article number
Z UNI 4	54.0126.01.00
UNI 6	50.2122.01.00
UNI 8	54.4122.01.00
UNI 11	54.6108.02.00

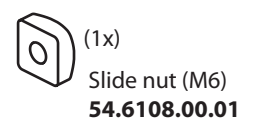


## Profile brace 25

- Brace as an additional reinforcement or extension of the mounting options
- Complete with mounting material for profile frame



Type	Length in mm	Standard installation cabinet size	Typical position		Article number	
			vertical	horizontal		
A Profile brace 25 with 2x bracket complete	338	UNI 4		•	50.0002.09.00 50.0002.09.00E1	Retrofit kit
	490	UNI 6		•	50.2002.09.00 50.2002.09.00E1	Retrofit kit
	650	UNI 8		•	50.4002.09.00 50.4002.09.00E1	Retrofit kit
	1027	UNI 11		•	50.6002.09.00 50.6002.09.00E1	Retrofit kit
	1407	UNI 15		•	50.8002.09.00 50.8002.09.00E1	Retrofit kit
	827	Height 998 mm		•	50.6200.18.00	Standard height
	Variable	All		•	(upon request)	
B Side profile (without mounting material)	572	Height 698 mm	•		50.0002.01.04	
	722	Height 848 mm	•		50.0006.01.04	
	852	Height 998 mm	•		50.0010.10.01	
+ 1x bracket complete with mounting material for profile brace 25					59.2104.02.00	With slot nut
					59.2104.03.00	Set 50x with slot nut
					50.0002.28.00	With slide nut M5



Other lengths upon request

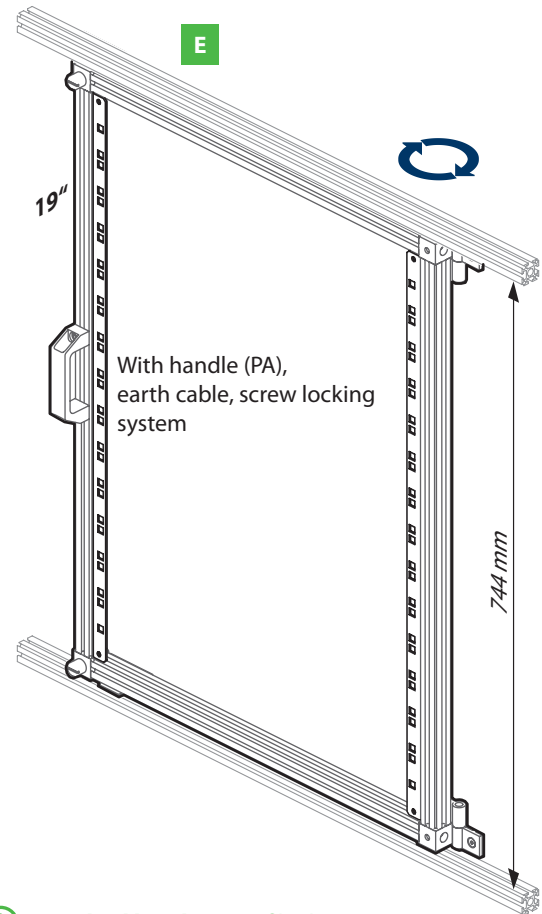
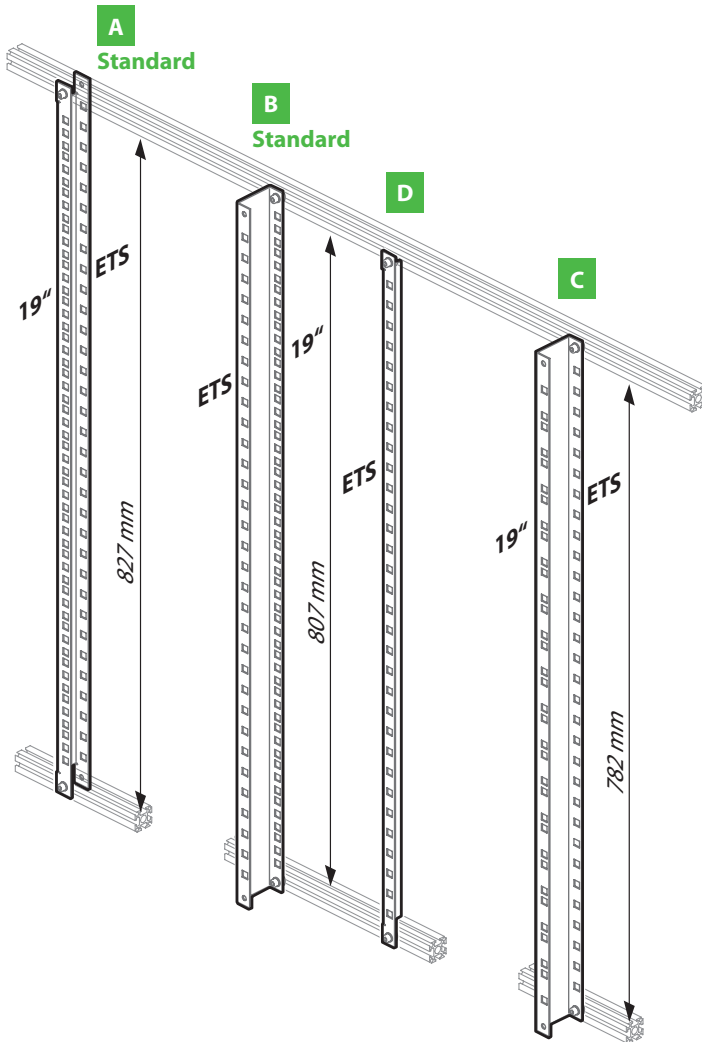
## 19" / ETS rack (UNI)

- Depth adjustable and can be moved sideways
- Set with 2x rail and mounting material for profile 25

 Stainless  
 Steel

 19"  
 ETS

 8.3x8.3  



**i** Standard heights (profile distance):  
 827 mm  
 807 mm  
 782 mm

Type	For cabinet height 998 mm	Hole grid in mm 19" / ETS	Usable height U / SU	Article number
<b>A</b> 19" / ETS	998	44.45 / 25	18 / 32	<b>54.6200.17.00</b>
<b>B</b> 19" / ETS	998	44.45 / 25	17 / 31	<b>54.4140.02.00</b>
				<b>54.4140.02.00E1</b> Retrofit kit
		Complete with profile brace top and bottom UNI 8		<b>54.4243.02.00</b> Set + 2x 50.4002.09.00
	848		13 / 24	<b>50.0006.11.00</b>
<b>C</b> 19" / ETS	998	44.45 / 25	17 / 31	<b>50.0010.14.00</b>
		Complete with profile brace top and bottom UNI 8		<b>50.4010.11.00</b> Set + 2x 50.4002.09.00
<b>D</b> 2x grid bracket ETS	998	- / 25	- / 31	<b>54.4108.04.00</b>
<b>E</b> Swivel rack 19" (installation width 595 mm)	998		14 / -	<b>54.4103.02.00</b>
	848	44.45 / -	11 / -	<b>50.4101.02.00</b>
	698		8 / -	<b>54.4106.02.00</b>

Stainless Steel Cable Head

## Bay and adapter rails (UNI)

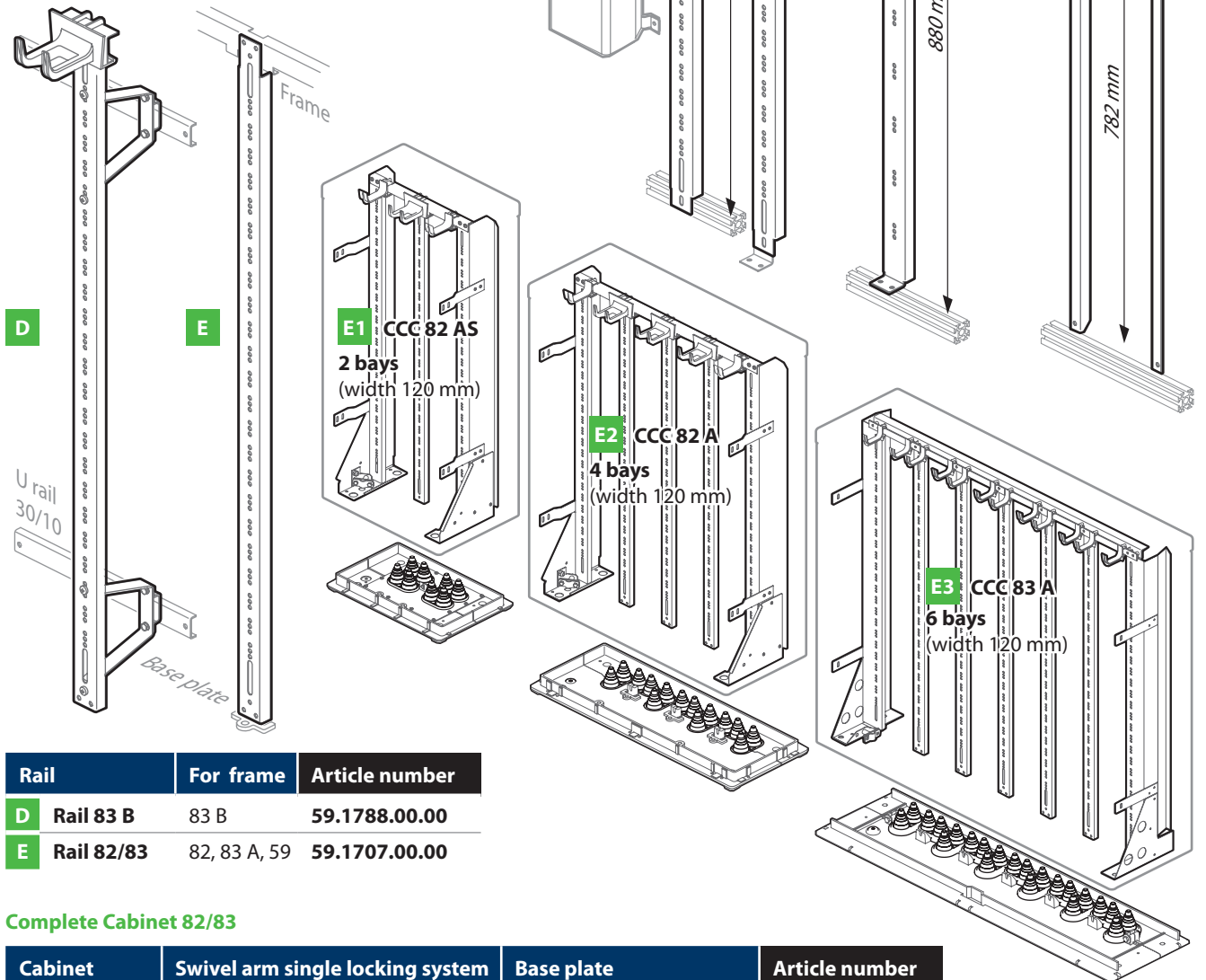
- Fitting cable heads (without mounting material)

Type	For cabinet height 998 mm	Rail H x W in mm	Article number
<b>A</b>	998	915 x 38	<b>54.8111.01.01</b>
<b>B</b>	998	899 x 38	<b>50.0010.10.03</b>
	848	749 x 38	<b>50.2105.01.03</b>
<b>C</b>	998	825 x 15	<b>54.4118.01.02</b>

Other rails upon request

## Bay and adapter rails (82, 83)

- Complete with mounting material



Rail	For frame	Article number
<b>D Rail 83 B</b>	83 B	<b>59.1788.00.00</b>
<b>E Rail 82/83</b>	82, 83 A, 59	<b>59.1707.00.00</b>

## Complete Cabinet 82/83

Cabinet	Swivel arm single locking system	Base plate	Article number
<b>E1 CCC 82 AS</b>	Single locking system (PA6)	4x 2-way rubber grommet	<b>59.1945.00.00</b>
	Double locking system (GDZn)		<b>59.2039.00.00</b>
<b>E2 CCC 82 A</b>	Single locking system (PA6)	4x 2-way rubber grommet	<b>59.1723.00.00</b>
	Double locking system (GDZn)		<b>59.1727.00.00</b>
<b>E3 CCC 83 A</b>	Double locking system (GDZn)	4x 2-way rubber grommet	<b>59.1807.00.00</b>

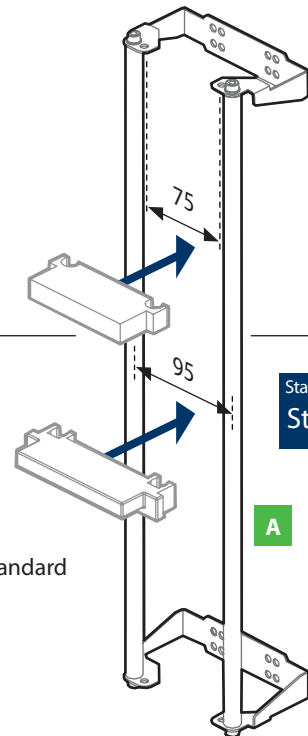
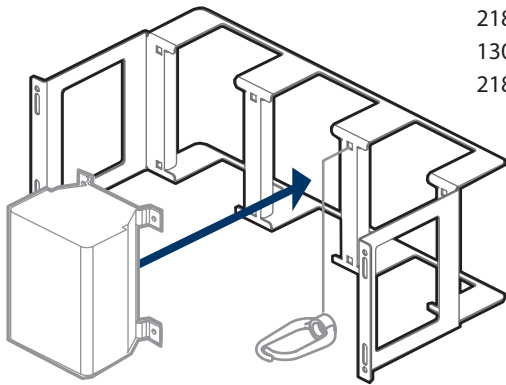
## Subrack for cable heads in 19" or ETS rack

 Stainless  
 Steel

 8.3 x 8.3  


### ■ With mounting material

Mounting in rack	Number of bays (width in mm)	Depth x height in mm	Installation height	Wire guide rings (max.)	Article number
19"	2 (120)	160 x 178	4 U	• 6x (6x)	<b>70.0081.74.00</b>
		160 x 266	6 U	• 6x (6x)	<b>70.0081.75.00</b>
		160 x 355	8 U	• 6x (6x)	<b>70.0081.76.00</b>
ETS	3 (120)	218 x 100	3 SU	- (8x)	<b>70.0081.73.00</b>
		218 x 175	7 SU	- (8x)	<b>70.0080.74.00</b>
		218 x 250	10 SU	- (8x)	<b>70.0080.75.00</b>
		130...170 x 300	12 SU	• 4x (8x)	<b>70.0080.96.00</b>
		218 x 350	14 SU	- (8x)	<b>70.0080.76.00</b>


 Stainless  
 Steel

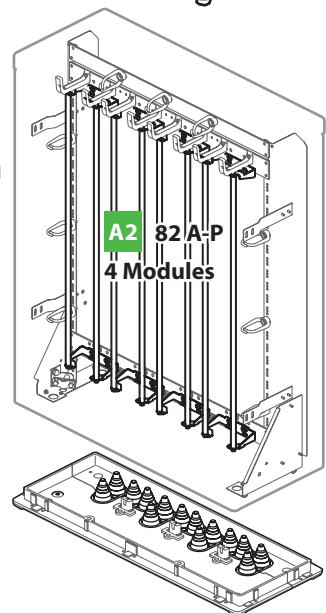
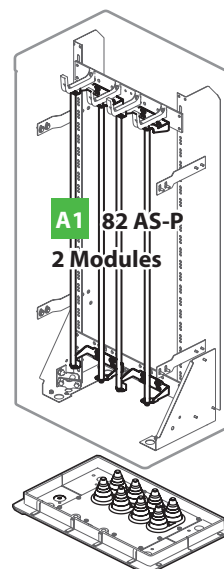
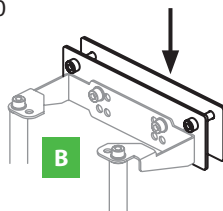
## Profile rod module for LSA strips

Mounting on	For cabinet height in mm	Usable height in mm	Mounting material	Article number
<b>A</b> Frame 82 for mounting racks and profile rods	998	770	-	<b>59.2469.02.00</b>
	998	750	•	<b>50.0010.11.00</b>
Universal	998	750	•	<b>50.0099.22.00</b>
	ab 848	600	•	<b>50.0099.12.00</b>
	ab 698	450	•	<b>50.0099.02.00</b>
<b>B</b> For cable head bay (width of bay 120 mm)	998	750		<b>70.0081.03.00</b>
	ab 848	600		<b>70.0081.02.00</b>
	ab 698	450		<b>70.0081.01.00</b>

Standard

**A**

Complete with adapter



## Complete Cabinet 82

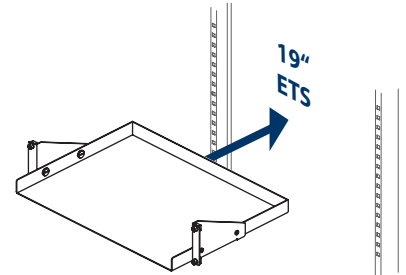
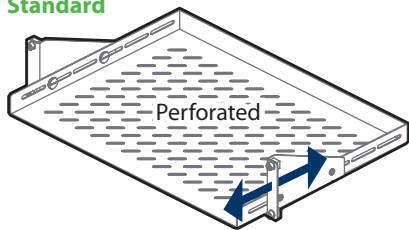
Cabinet	Swivel arm with base plate	Article number
<b>A1</b> CCC 82 AS-P	4x 2-way rubber grommet Einfachschließenanlage (PA6)	<b>59.2377.00.00</b>
<b>A2</b> CCC 82 A-P	7x 2-way rubber grommet	
	Single locking system (PA6) Double locking system (GDZn)	<b>59.2431.00.00</b> <b>59.2291.00.00</b>

## Lower shelf for 19" / ETS rack

- Continuous depth adjustment
- Complete with mounting material for rack

8.3 x 8.3 □ Stainless Steel Max. 25kg

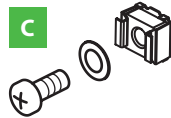
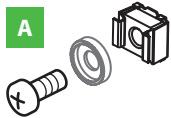
### A Standard



Type	For rack	Installation height	Placement area W x D in mm	Article number
A	19"	2 U	430 x 330	<b>54.4125.01.00</b>
	19"	2 U	430 x 230	<b>54.4167.02.00</b>
	ETS	3 SU	480 x 300	<b>54.4125.02.00</b>

## Mounting set with cage nut

8.3 x 8.3 □ Stainless Steel PA6 GF30



Cage nut 8.3x8.3  
(WSMO-0831600006)

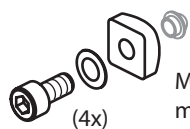
Type	Mounting on	Piece	Article number	
A	Mounting set	50	<b>70.0080.22.00</b>	e.g. for 19" / ETS module
B	Rack <span style="background-color: #0056b3; color: white; padding: 2px;">□</span> 8.3 x 8.3 mm (M6)	50	<b>70.0080.24.00</b>	e.g. for grid bracket
C		4	<b>70.0081.05.00</b>	e.g. for mounting frame

## Mounting plate UNI

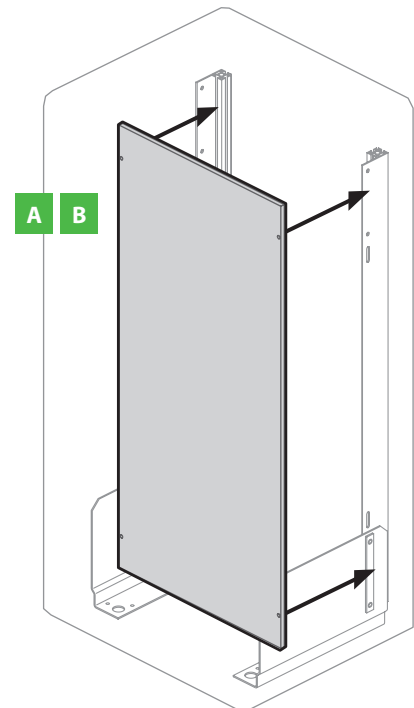
Plastic Galvanized Steel

### A Galvanized steel (thickness 2 mm)

For frame UNI	For cabinet height in mm (standard)	Outer dimensions W x H in mm	Article number	
4	998	373 x 830	<b>50.0105.01.01</b>	
	848	373 x 680	<b>50.0105.01.03</b>	
	698	373 x 530	<b>50.0105.01.02</b>	
6	998	525 x 830	<b>50.2102.01.03</b>	
8	998	686 x 830	<b>50.4100.01.02</b>	
	848	686 x 680	<b>50.4100.01.06</b>	
	698	686 x 530	<b>50.4100.01.04</b>	
11	998	530 x 800	<b>50.6100.01.06</b>	Half cabinet width
15	998	720 x 800	<b>50.8101.01.01</b>	Half cabinet width
	998	480 x 800	<b>50.8101.01.06</b>	1/3 cabinet width

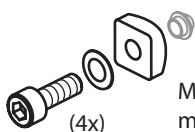


(4x)

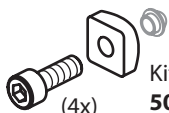
 Mounting set (M5x8)  
 mounting plate steel  
**50.0105.02.00**


### B Plastic (thickness 8 mm)

For frame UNI	For cabinet height in mm (standard)	Outer dimensions W x H in mm	Material	Article number	
4	698	373 x 530	PPs grey	<b>50.0100.01.02</b>	
	848	373 x 680		<b>50.0100.01.03</b>	
	998	373 x 830		<b>50.0100.01.01</b>	
6	998	525 x 830		<b>50.2100.01.03</b>	
8	698	686 x 530	PPs grey	<b>50.4100.01.03</b>	
	848	686 x 680		<b>50.4100.01.05</b>	
	998	686 x 830		<b>50.4100.01.01</b>	
8	Alle	686 x 230	PPs grey	<b>54.4118.01.03</b>	Special size
11		530 x 800	Hart-PVC grey	<b>50.6100.01.05</b>	Half cabinet width
		800 x 800		<b>54.6113.01.01</b>	
		1062 x 800		<b>50.6112.01.02</b>	
11	Alle	1062 x 230	PPs grey	<b>54.6143.01.01</b>	Special size
15	998	720 x 800	Rigid PVC, grey	<b>50.8104.01.01</b>	Half cabinet width
		480 x 800		<b>50.8104.01.06</b>	1/3 cabinet width



(4x)

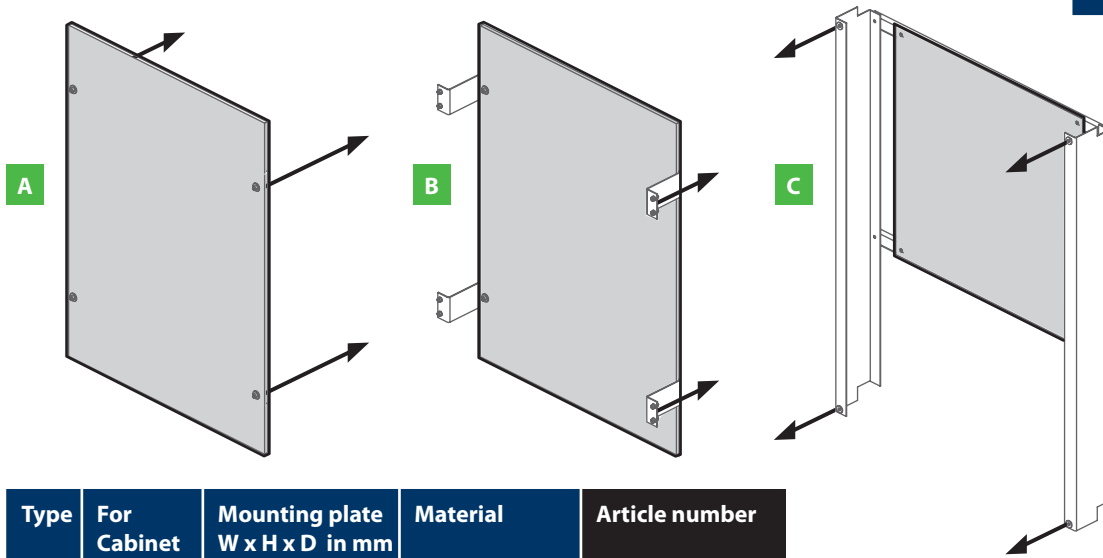
 Mounting set (M5x14)  
 mounting plate plastic  
**50.0100.02.00**


(4x)

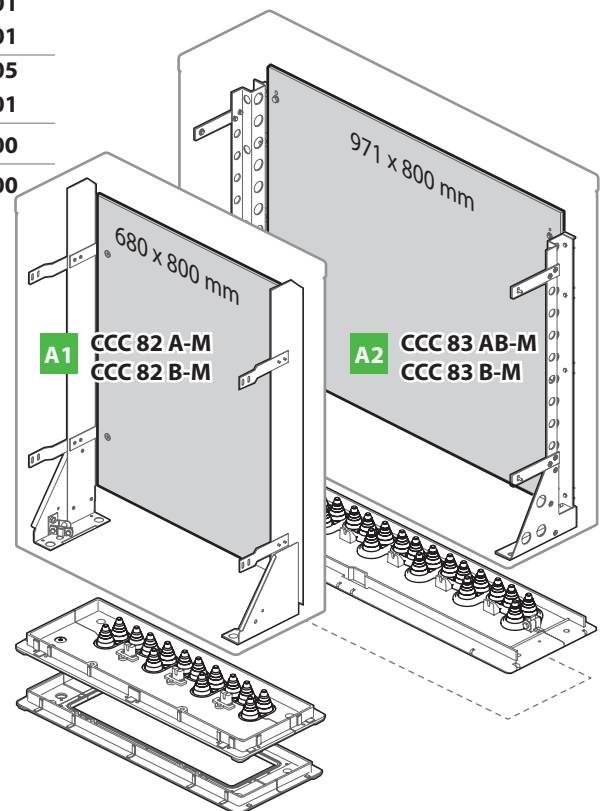
 Kit mounting plate (M5x14)  
**50.0002.08.00**



## Mounting plate for Cabinet 82 (with frame type B)



Type	For Cabinet	Mounting plate W x H x D in mm	Material	Article number
A	82	590 x 700 x 8	Rigid PVC, grey	<b>59.2365.01.01</b>
		680 x 796 x 2	Galvanized steel	<b>59.0719.12.01</b>
		680 x 800 x 2	Aluminium	<b>59.2283.02.01</b>
83	971 x 800 x 2	Galvanized steel	<b>59.2286.01.05</b>	
	971 x 800 x 8	Rigid PVC, grey	<b>59.2084.01.01</b>	
B	82	580 x 800 x 8	Rigid PVC, grey	<b>59.0717.10.00</b>
C	82	515 x 515 x 2	Galvanized steel	<b>59.0717.03.00</b>

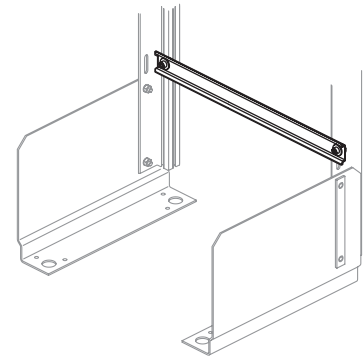
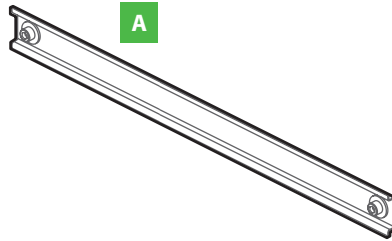
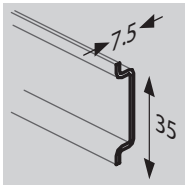


## Complete Cabinet 82/83

Cabinet	Swivel arm	Base plate	Mounting plate	Article number		
A1 CCC 82 A-M	Double locking system (GDZn)	7x 2-way rubber grommet	Rigid PVC, grey	<b>59.2381.00.00</b>		
				Single locking system (PA6)	<b>59.2132.00.00</b>	
	CCC 82 B-M	Double locking system (GDZn)	Open	Galvanized steel	<b>59.2449.00.00</b>	
		Single locking system (PA6)	Open		<b>59.2471.00.00</b>	
A2 CCC 83 AB-M	Double locking system (GDZn)	11x 2-way rubber grommet	Rigid PVC, grey	<b>59.2472.00.00</b>		
				CCC 82 B-M	-	<b>59.2134.00.00</b>
				-	-	<b>59.2434.00.00</b>

## Support rail

TS35 Galvanized Steel EN 50022



Type	For frame UNI	Length in mm	Article number
A Support rail for cabinet UNI	4	377	54.0123.00.02
	6	531	50.2002.16.01
	8	691	54.4137.01.01
	11	1068	54.6202.02.02
	15	1468	54.8202.02.02

Support rail for 19"

481

54.4110.01.01

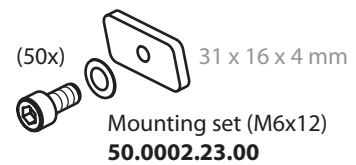
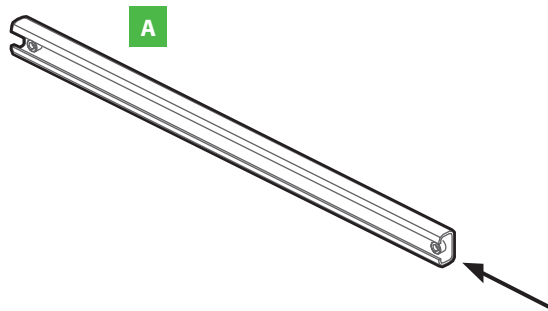
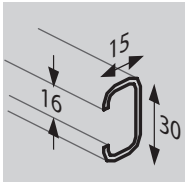
Mounting with 70.0081.05.00 (e.g.)

 Other lengths upon request



## C rail

A

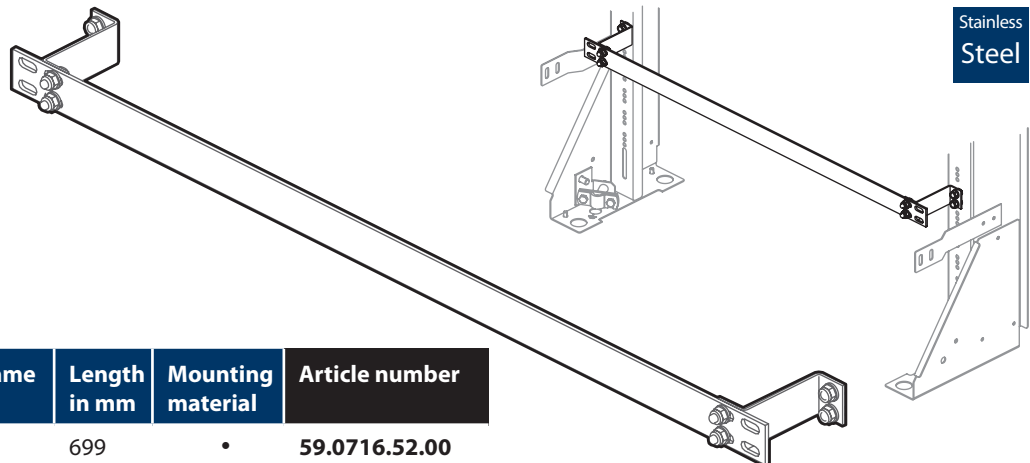


Stainless Steel

Type	For frame	Length in mm	Amount	Mounting material	Article number
A TS 35	82, 85	680	1x	-	59.6000.01.08 Vertical position

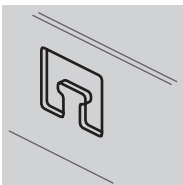
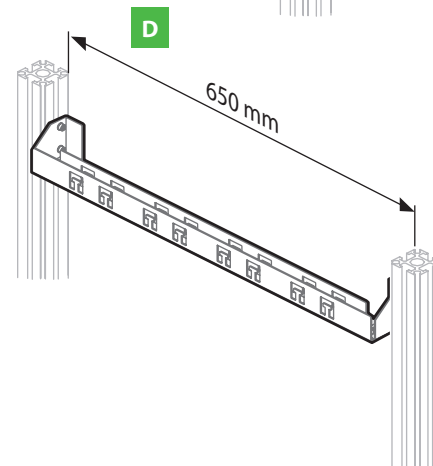
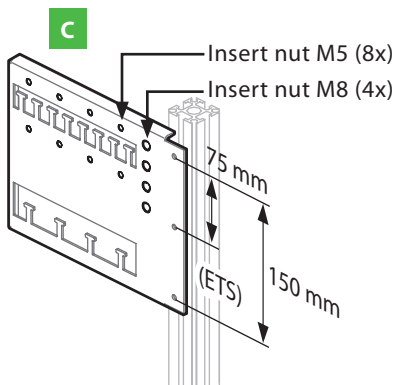
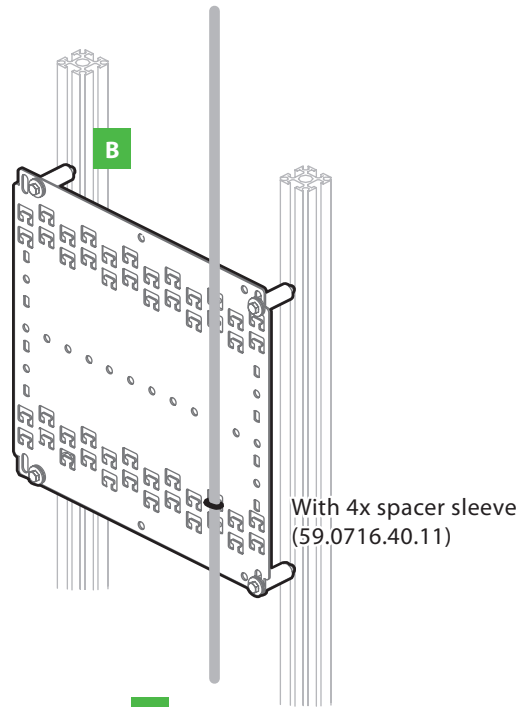
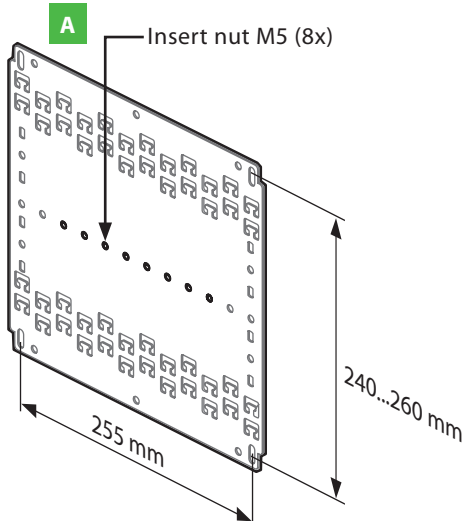
## Cable clamp rail

Stainless Steel



Type	For frame	Length in mm	Mounting material	Article number
Cable clamp rail 82	82	699	•	59.0716.52.00

## Cable clamp plate or rail (T structures)

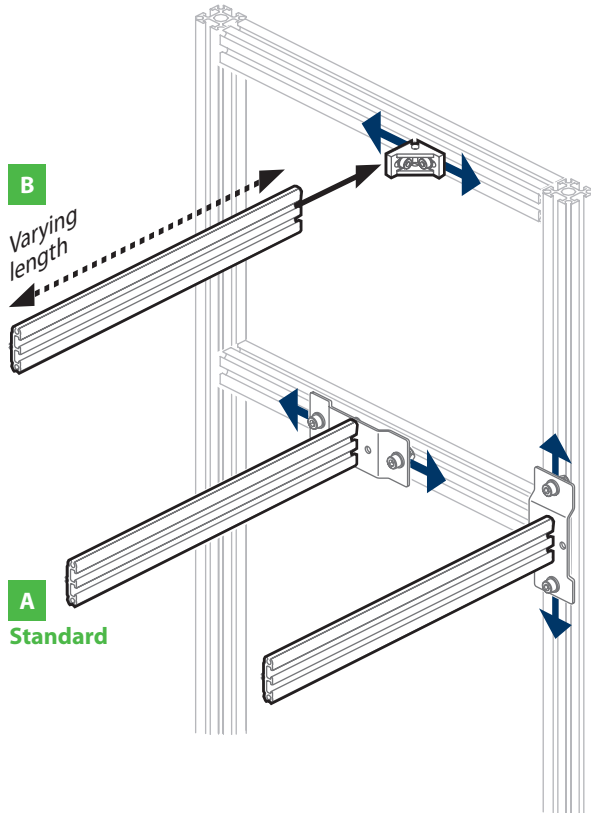


Type of cable clamp plate or rail	W x D x H in mm	Mounting material	Article number
<b>A</b> (without mounting material)	278 x 15 x 273	–	<b>70.0080.79.01</b>
<b>B</b> With spacer +/- 30 mm	278 x 32 x 273	• For profile brace 25	(upon request)
<b>C</b> Mounting on one side	360 x 12 x 182	• For profile brace 25	<b>54.6212.15.00</b>
<b>D</b> Cable clamp rail	650 x 67 x 60	• For profile brace 25	<b>50.4002.04.00</b>

Suitable for UNI 8 with standard base plate

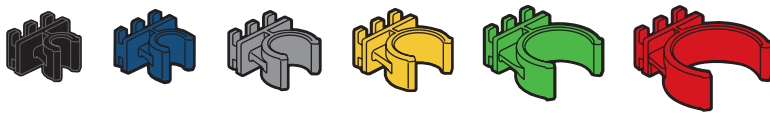
## Clip rail system

- Complete with mounting material

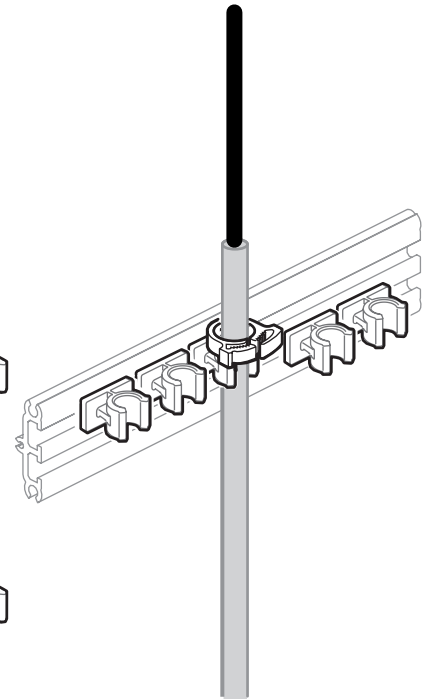


Type	Max. number of clips	Length of rail	Mounting on	Article number
<b>A</b> Standard	15x single-row, 29x double-row up to $\varnothing$ 7 mm	256 mm	Profile brace 25	<b>54.6222.11.00</b>
<b>B</b> Variable			Clip bar of varying length 1x bracket complete with mounting material	<b>54.0203.04.20</b> <b>59.2104.02.00</b>

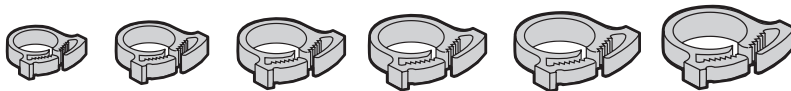
## Kit with clips



Clip for $\phi$ in mm	Colour	Piece	Article number
5	Black	50	<b>70.1959.17.00</b>
7	Blue	50	<b>70.1959.14.00</b>
10	Grey	50	<b>70.1959.15.00</b>
12...14	Yellow	50	<b>70.1959.16.00</b>
16	Green	50	<b>70.1959.20.00</b>
20	Red	50	<b>70.1959.22.00</b>



## Kit with strain relief elements



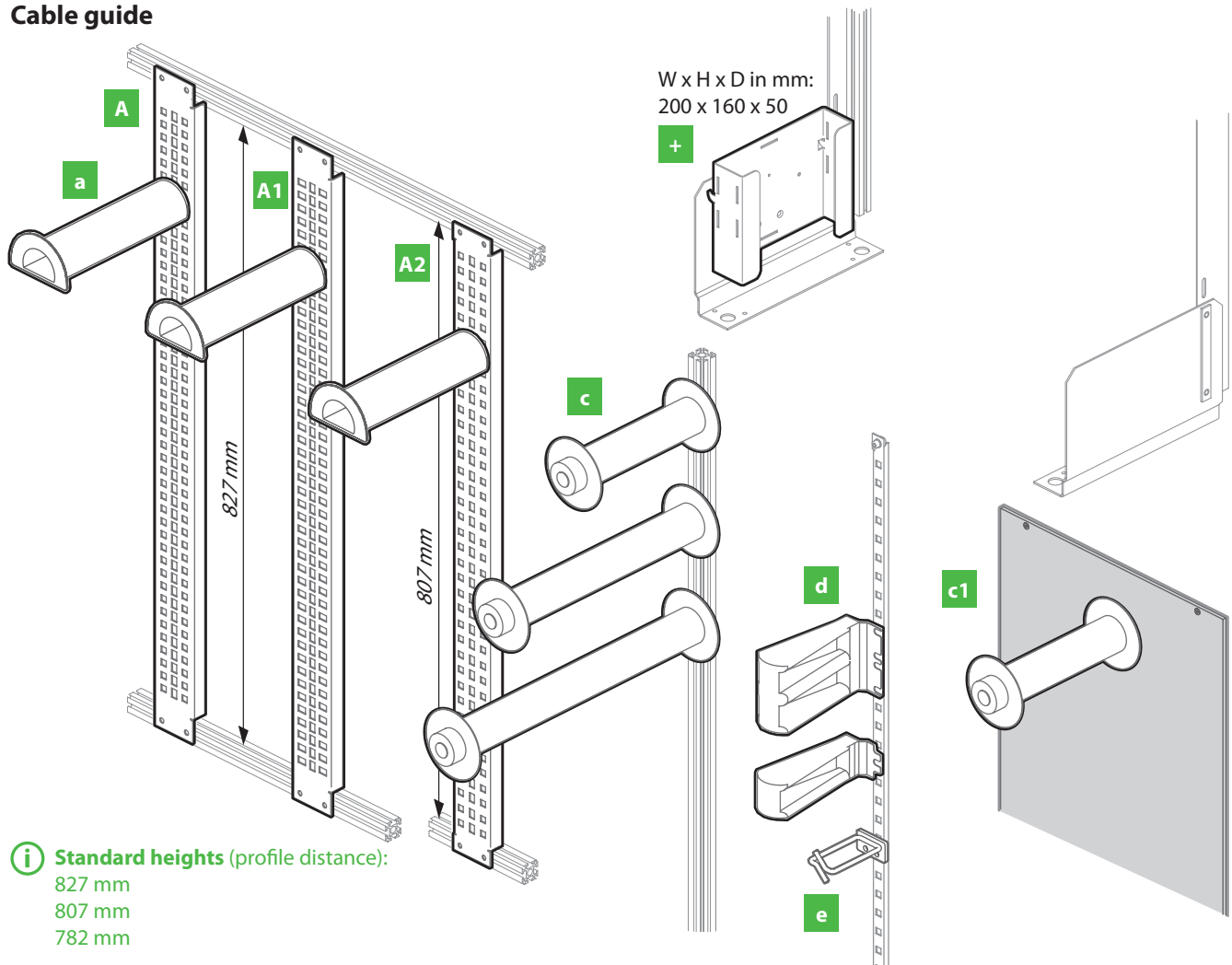
Snapper for $\phi$ in mm	Tensile strength with clip in N	Piece	Article number
7	> 70	50	<b>59.2380.20.00</b>
10	> 100	50	<b>59.2380.22.00</b>
12	> 120	50	<b>59.2380.21.00</b>
14	> 140	50	<b>59.2380.23.00</b>
16	> 160	50	<b>59.2380.24.00</b>
20		50	<b>59.2380.25.00</b>

## Kit with end plates

End plate	Piece	Article number
Kit end plate	10	<b>70.1959.18.00</b>



## Cable guide



- i** Standard heights (profile distance):  
 827 mm  
 807 mm  
 782 mm

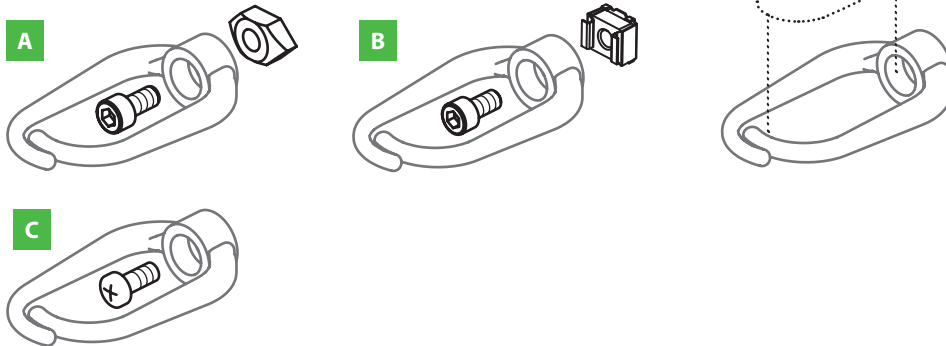
Type	For cabinet	Mounting on	Mounting material	Article number
<b>A</b> Spindle mounting rail A			•	<b>54.6200.15.00</b> □ 8.3 x 8.3 mm
<b>A1</b>	Height 998 mm	Profile brace 25	•	<b>54.6212.14.00</b> □ 12 x 8.3 mm
<b>A2</b>			–	<b>54.4108.01.03</b> □ 8.3 x 8.3 mm
<b>+</b> Loose tube bracket	UNI	UNI side part	–	<b>54.4218.01.08</b>

Type	R in mm	Usable in mm	Mounting on	Article number
<b>a</b> Spindel A	30	Length 217	Spindle mounting rail A	<b>54.6200.16.00</b>
<b>c</b> SICHERT spindle for profile brace		Length 320	Profile brace 25	<b>50.0006.26.00</b>
		Length 260		<b>50.0004.26.00</b>
		Length 170		<b>50.0002.26.00</b>
<b>c1</b> SICHERT spindle for mounting plate	20	Length 320	Mounting plate thickness 1...10 mm	<b>50.0111.30.00</b>
		Length 260		<b>50.0111.20.00</b>
		Length 170		<b>50.0111.10.00</b>
<b>d</b> Fibre guiding element 2 U	7	120 x 54	Profile brace 25	<b>54.6212.17.00</b>
			19" rack	<b>54.6212.19.00</b>
Fibre guiding element 1 U	7	120 x 27	Profile brace 25	<b>54.6212.16.00</b>
			19" rack	<b>54.6212.18.00</b>
<b>e</b> Wire guide ring (galvanized steel) 2 (without mounting material)		60 x 29	Profile brace 25 or rack	<b>54.4218.05.01</b>

## Wire guide ring

### ■ With mounting material

RAL 7038   200 Pair   PA6 GF30



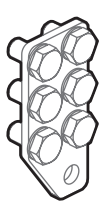
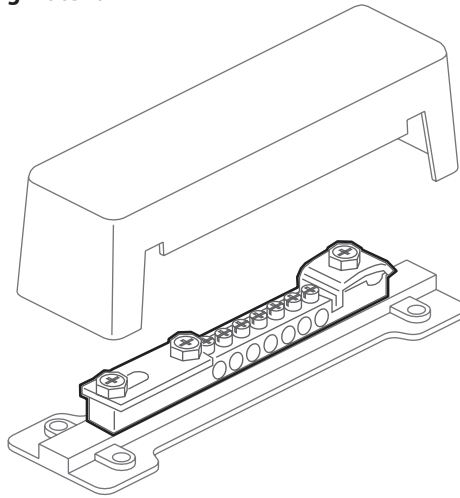
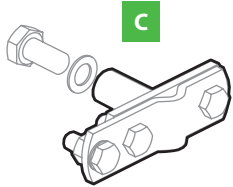
Type	Mounting on	Piece	Article number		
A	Wire guide ring made of plastic	Profile brace 25 or clip rail	1	<b>50.0002.06.00</b>	With slot nut M5
			50	<b>50.0002.07.00</b>	
B	Rack □ 8.3 x 8.3 mm (M6)		1	<b>70.0080.60.00</b>	
			50	<b>70.0080.61.00</b>	
C	Bay and adapter rails (Hole ø 5.5 mm) (M6)		1	<b>59.2344.08.00</b>	Without rotation lock
			1	<b>59.0631.05.00</b>	With rotation lock
			50	<b>59.0631.05.00V1</b>	

⚙ Other versions upon request

## Earth connection



### ■ Complete with mounting material

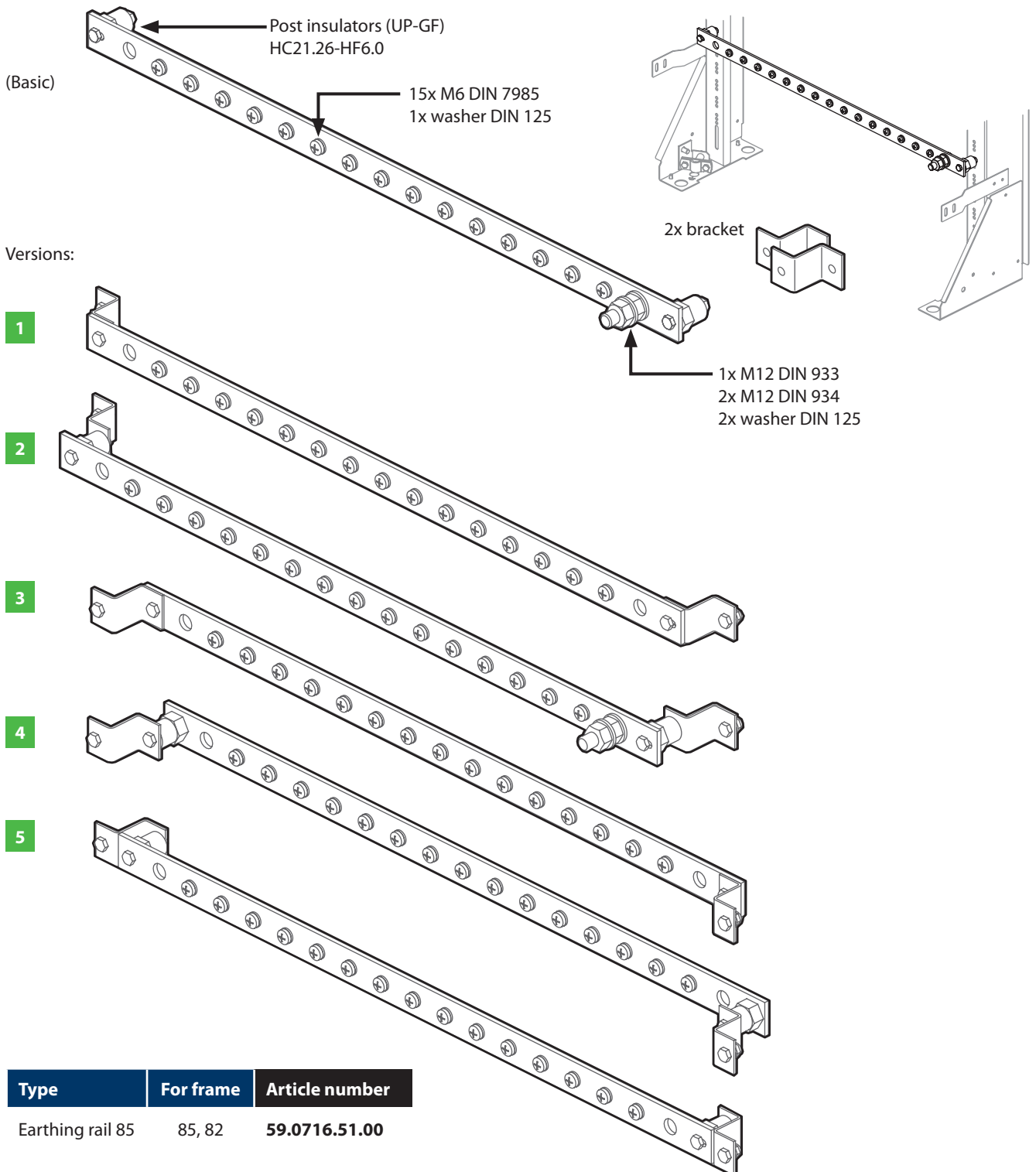

**A**
**Connections:**  
 6x M6 DIN 933

**B**
**Connections:**  
 7x single or multi wired conductors up to 25 mm<sup>2</sup>  
 1x earth rod ø 8...10 mm  
 1x earthing strip up to 30 x 5 mm or earth rod ø 8...10 mm  
 + earth cable 16 mm<sup>2</sup> 1.4 m

**C**
**Connections:**  
 1x earth rod ø 8...10 mm

Type	Norms	Mounting on	W x H in mm	Material	Article number
<b>A</b> 6-way earth lug		z.B. <b>C</b>	26 x 60	Galvanized Steel	<b>50.0002.14.00</b>
<b>B</b> Equipotential bonding bar 1809	Compliance with VDE 0609	Rack □ 8.3 x 8.3 mm	187 x 48	Brass nickel-plated, galvanized Steel	<b>70.0804.11.00</b>
<b>C</b> Earthing bracket BKs/MXs		Frame or earthing bracket 82, 83, UNI		Galvanized Steel	<b>59.0651.40.00</b> Retrofit kit

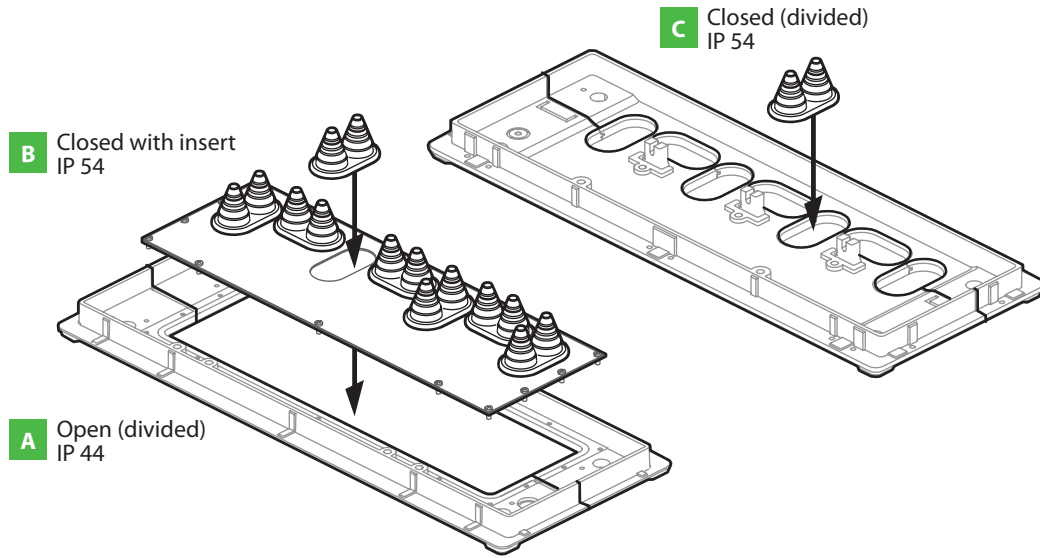


## Earthing rail 85

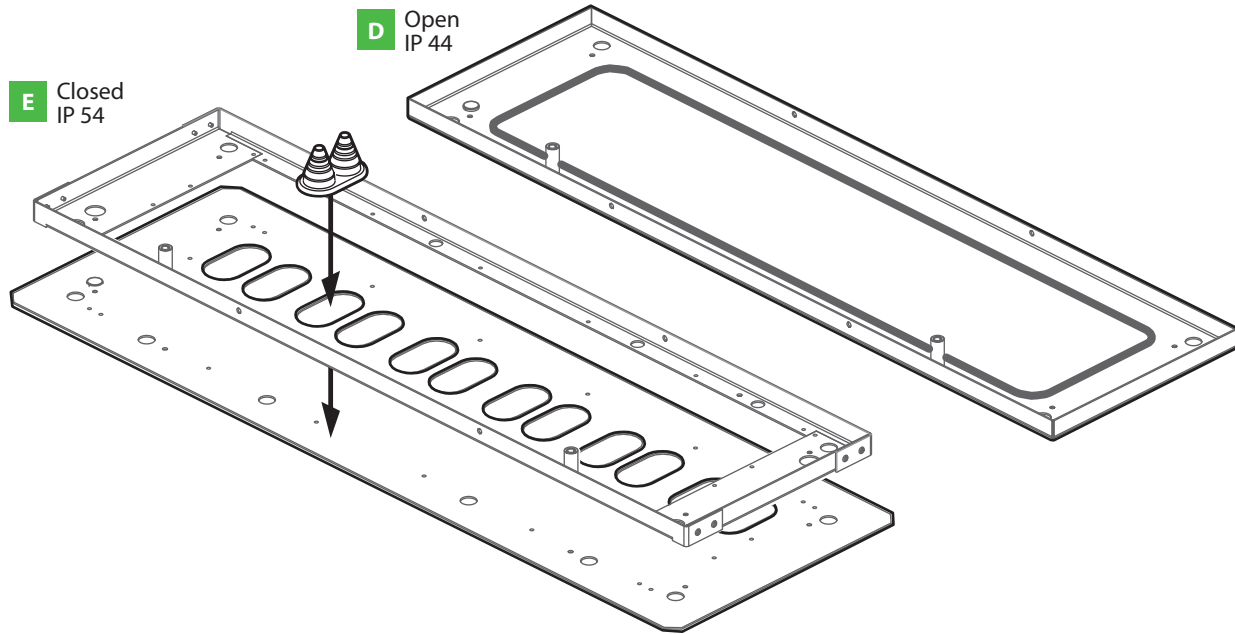
UP-GF  
Stainless Steel



### Base plate UNI 4, 6, 8, Cabinet 82

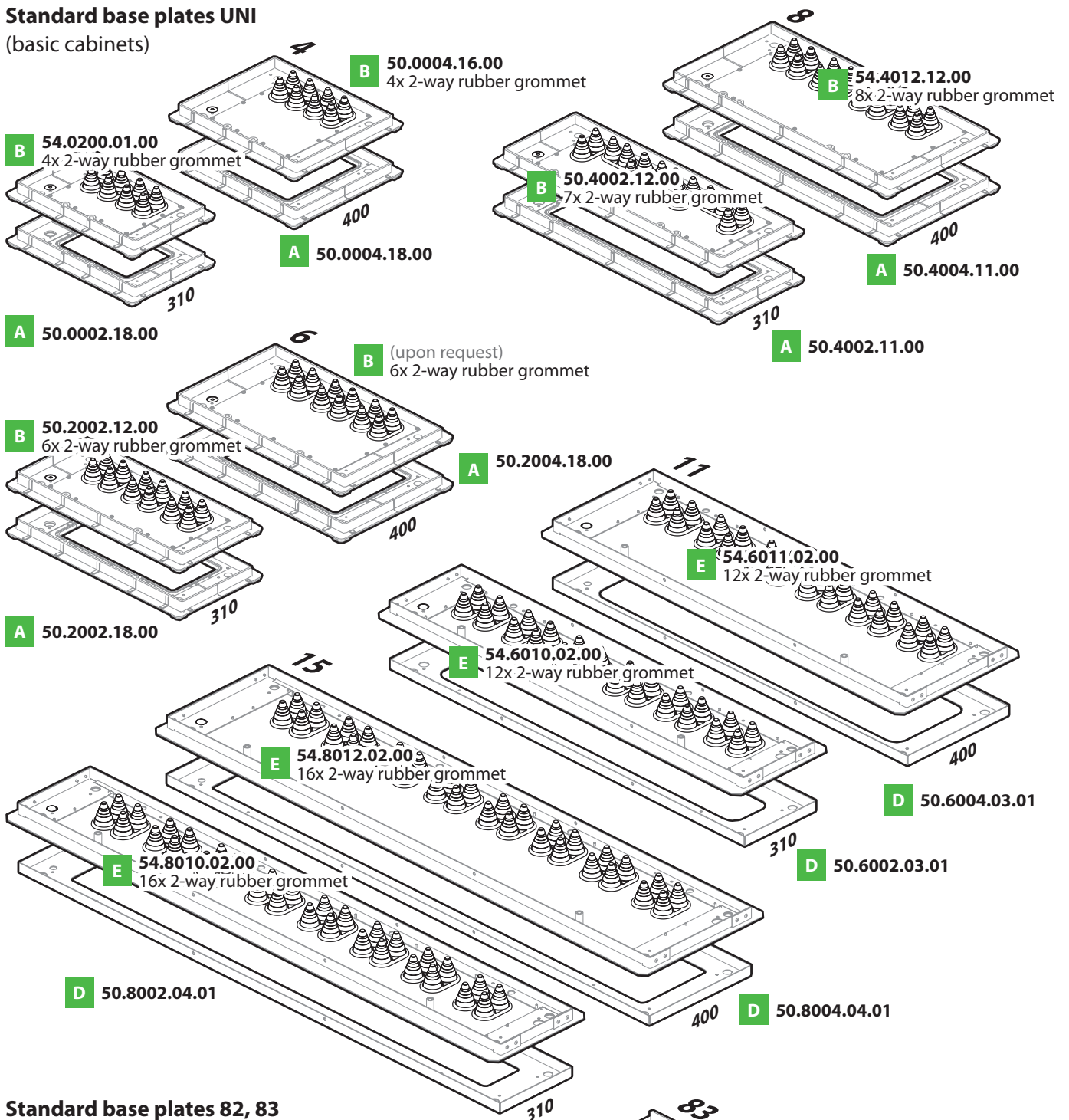


### Base plate UNI 11, 15

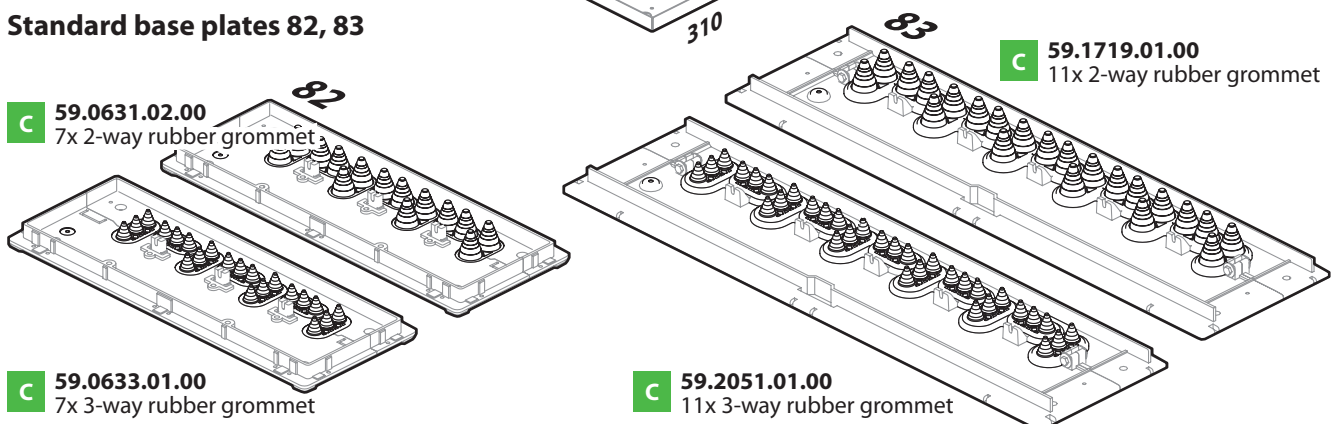


## Standard base plates UNI

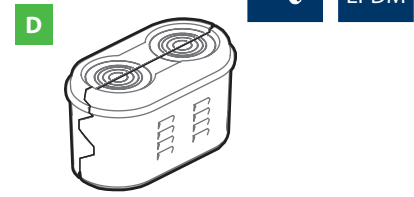
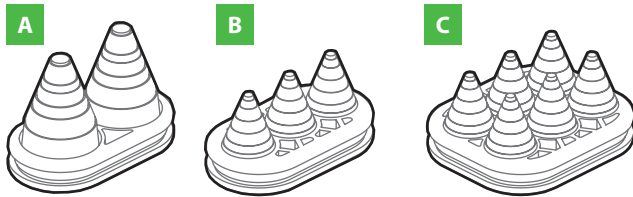
(basic cabinets)



## Standard base plates 82, 83

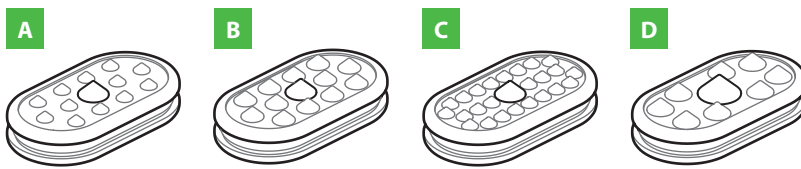


## Grommet

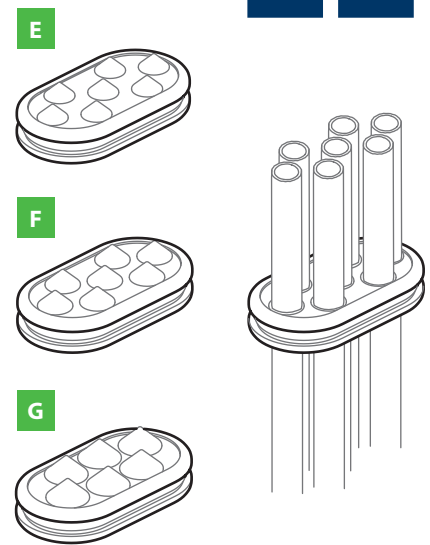


Type	Sealing area ø in mm	Installation dimensions L x W in mm	Article number
<b>A</b> 2-way rubber grommet	9.5...42	91 x 46	<b>59.0631.00.22</b> <b>59.0631.33.00</b> 10x
<b>B</b> 3-way rubber grommet	3...25	91 x 46	<b>59.0633.01.02</b>
<b>C</b> 6-way rubber grommet	3...25	91 x 76	<b>59.0712.03.01</b>
<b>D</b> 2-way retrofit grommet (10x)	6.5...33	91 x 46	<b>59.0631.31.00</b> Separable sealing block

## DEG (Duct Entry Grommet)



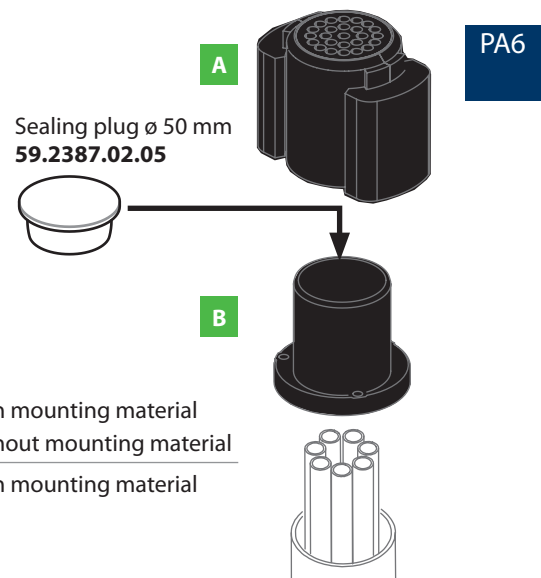
Type	Sealing area ø in mm	Installation dimensions L x W in mm	Article number
<b>A</b>	12x 7 + 1x 14	91 x 46	<b>59.0633.01.03</b>
<b>B</b>	12x 10 + 1x 14		<b>59.0633.01.04</b>
<b>C</b>	24x 7 + 1x 14		<b>59.0633.01.05</b>
<b>D</b>	8x 12 + 1x 20		<b>59.0633.01.06</b>
<b>E</b>	7x 14		<b>59.0633.01.07</b>
<b>F</b>	7x 16		<b>59.0633.01.08</b>
<b>G</b>	6x 20		<b>59.0633.01.09</b>



## Single-traction seal

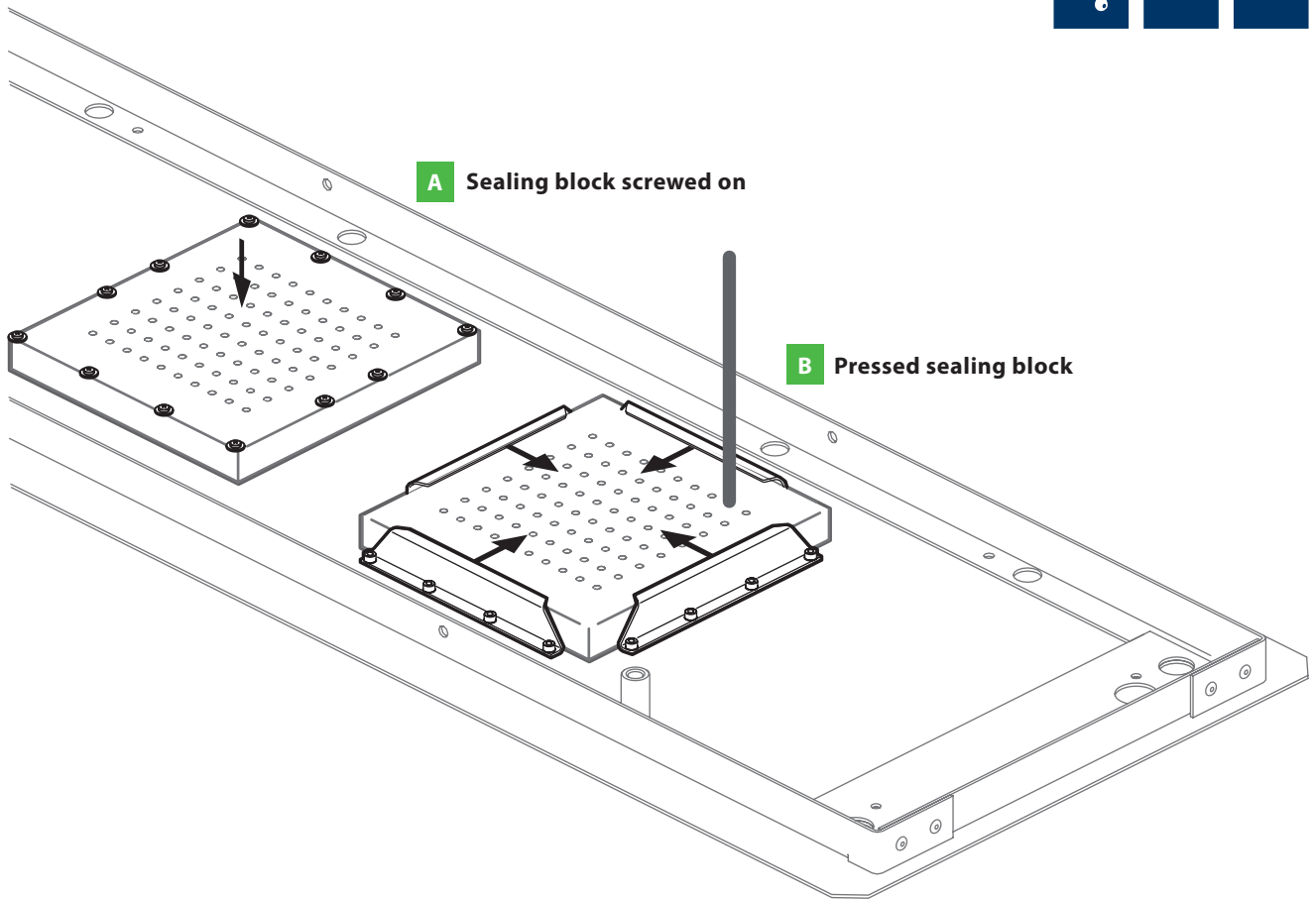
- Separable single-traction seal (gas and watertight up to 0.5 bar)

Part	Sealing area ø in mm	Article number
<b>A</b> EZA-t 50/24x7	24x 7 mm	<b>70.1924.90.13</b>
EZA-t 50/22x7 + 1x12	22x 7 mm + 1x 12 mm	<b>70.1924.90.12</b>
EZA-t 50/12x10	12x 10 mm	<b>70.1924.90.14</b>
EZA-t 50/7x12	7x 12 mm	<b>70.1924.90.15</b>
EZA-t 50/6x14	6x 14 mm	<b>70.2523.90.02</b>
<b>B</b> Cable entry ø 50 mm		<b>70.1924.93.00</b>
Opening blind cover ø 50 mm		<b>70.1290.90.01</b>
Cable entry ø 63 mm		<b>70.1924.94.00</b>



 Other sizes upon request

## Sealing block



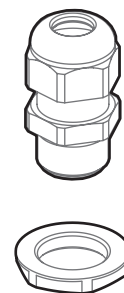
Dimensions and entries according to individual specifications

## Cable gland

- Pressurised water resistant cable entry with tension relief



Size	Sealing area ø in mm	Cable gland	Lock nut
		Article number	Article number
M12	3.5...6.5	50.8111.10.19	50.8111.10.15
M16	4.5...10	54.0204.02.12	54.0204.02.13
M20	6...13	54.4139.01.02	54.4139.01.03
M25	9...17	54.0204.02.03	54.0204.02.04
M32	13...21	54.6213.10.03	54.6213.10.04
M40	16...28	50.8111.10.20	50.8111.10.16
M50	21...35	50.8111.10.21	50.8111.10.17
M63	34...48	70.2511.90.02	70.2511.90.03



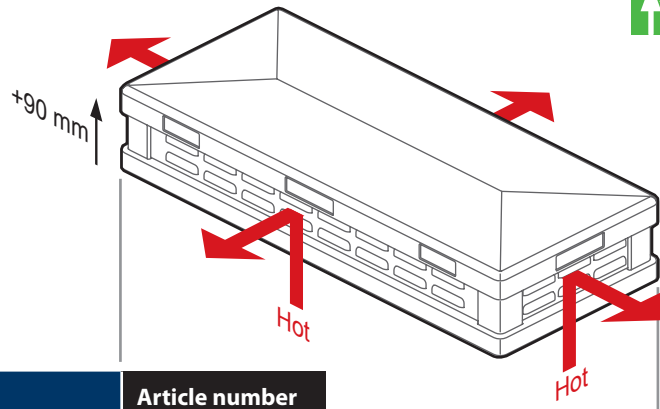
Other sizes upon request

## A Passive ventilation



### Climate roof module

- Replacement roof with a row of vents running around it to improve the cooling capacity of the cabinet
- KM82 also suitable for CCC 82: Stewing, Quante, LIC, KMG, Otto, ADC/KRONE and CCC 59



Type	For cabinet	Number of vent rows	Material of frame and roof	metal parts	Article number
KM82	82 and UNI 8 depth 310 mm	2	PC/GF5 RAL 7038	Steel thick-film passivated	<b>59.2059.01.00</b>
				Stainless steel	<b>59.2465.01.00</b>
KM83	83	2	PC/GF5 RAL 7038	Steel thick-film passivated	<b>59.2057.01.00</b>

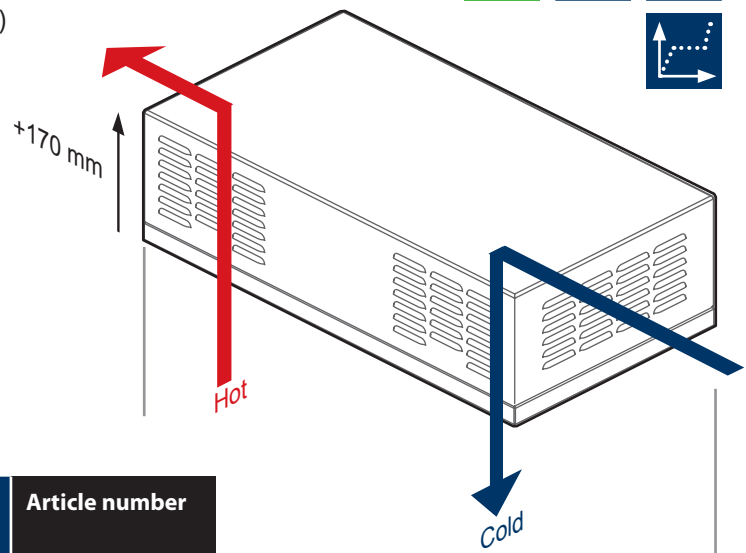
## B Active climate control

Max. 2000 Watt



### Roof module with air filter system (305-F-BS-01)

- Replaces the normal roof
- Fan with cassette filter (fire class F1)
- DC 48 V power supply
- Power consumption max. 95 W
- Connections for NTC sensor, programming, alarm
- Control characteristic adjustable



For cabinet	Air flow m³/h	Max. cooling capacity W/K (W when ΔT = 25 K)	Article number
UNI 8	300 @50 dB(A)	80 (2000)	<b>54.4112.00.00</b>
depth 400 mm	150 @35 dB(A)	32 (800)	

### Replacement parts and accessories for air filter system

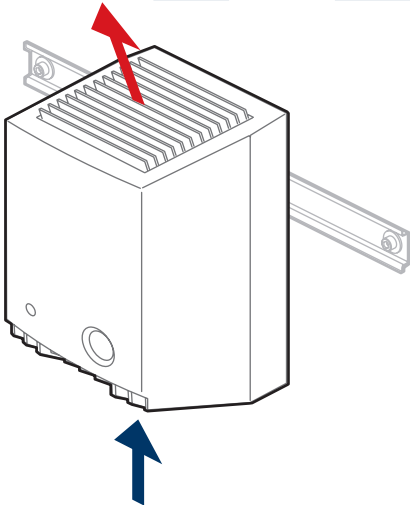
Replacement parts and accessories	Article number
Connection cable, external (DC 48 V, alarm, NTC)	<b>54.4112.02.05</b>
Cassette filter with plastic frame	<b>54.4112.02.01</b>
Fan temperature sensor	<b>54.4112.02.03</b>
Outlet filter made from heavy duty fleece with thermal fibre bonding (G3, EN779)	<b>54.4112.02.04</b>
Fan replacement kit	<b>54.4112.03.00</b>

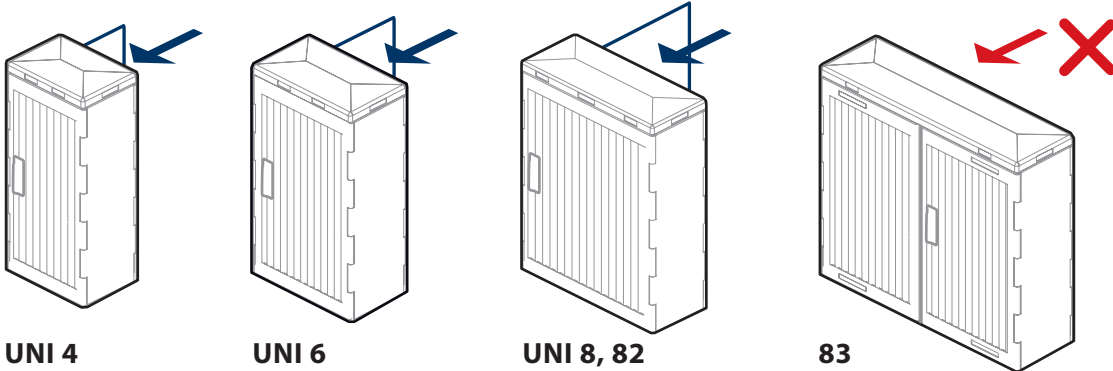
## Heater module with thermostat

- Fan heater with setting range thermostat 0°...+60°C
- **Mounting on support rail** (see page 20)

IP20 ⚡	230 V AC	Max. 550W
-----------	-------------	--------------

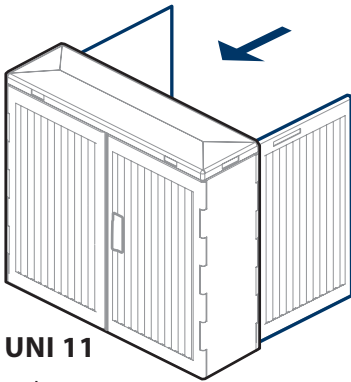
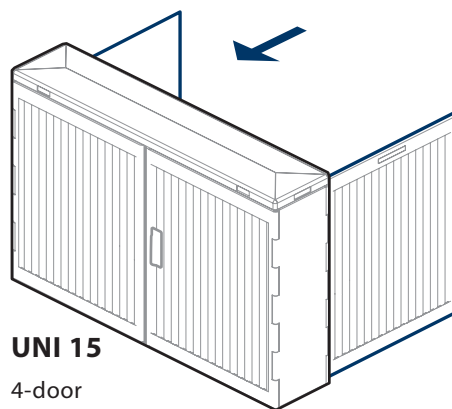
Type	Heating capacity	Module W x H x D in mm	Protection class	Article number
CR 027 semiconductor fan heater	550 W 220...240 V AC 50 Hz / 13A	100 x 165 x 124	II (IP 20)	<b>70.1928.11.01</b>

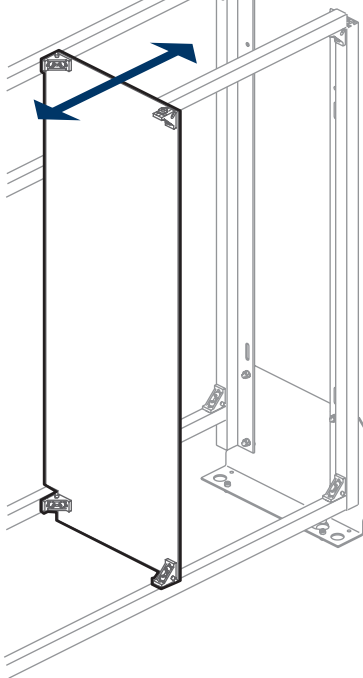
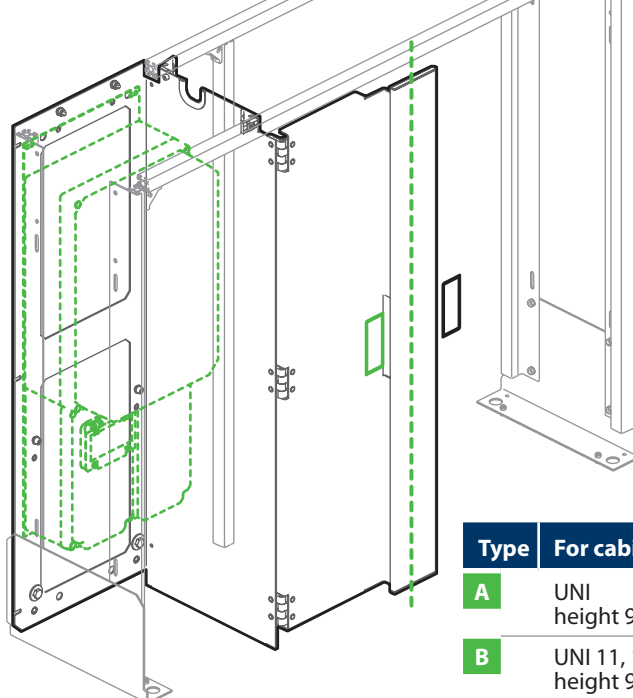


**Extended access (possible ex-works)**

**UNI 4**  
 2-door

**UNI 6**  
 2-door

**UNI 8, 82**  
 2-door

**83**

**UNI 11**  
 4-door

**UNI 15**  
 4-door

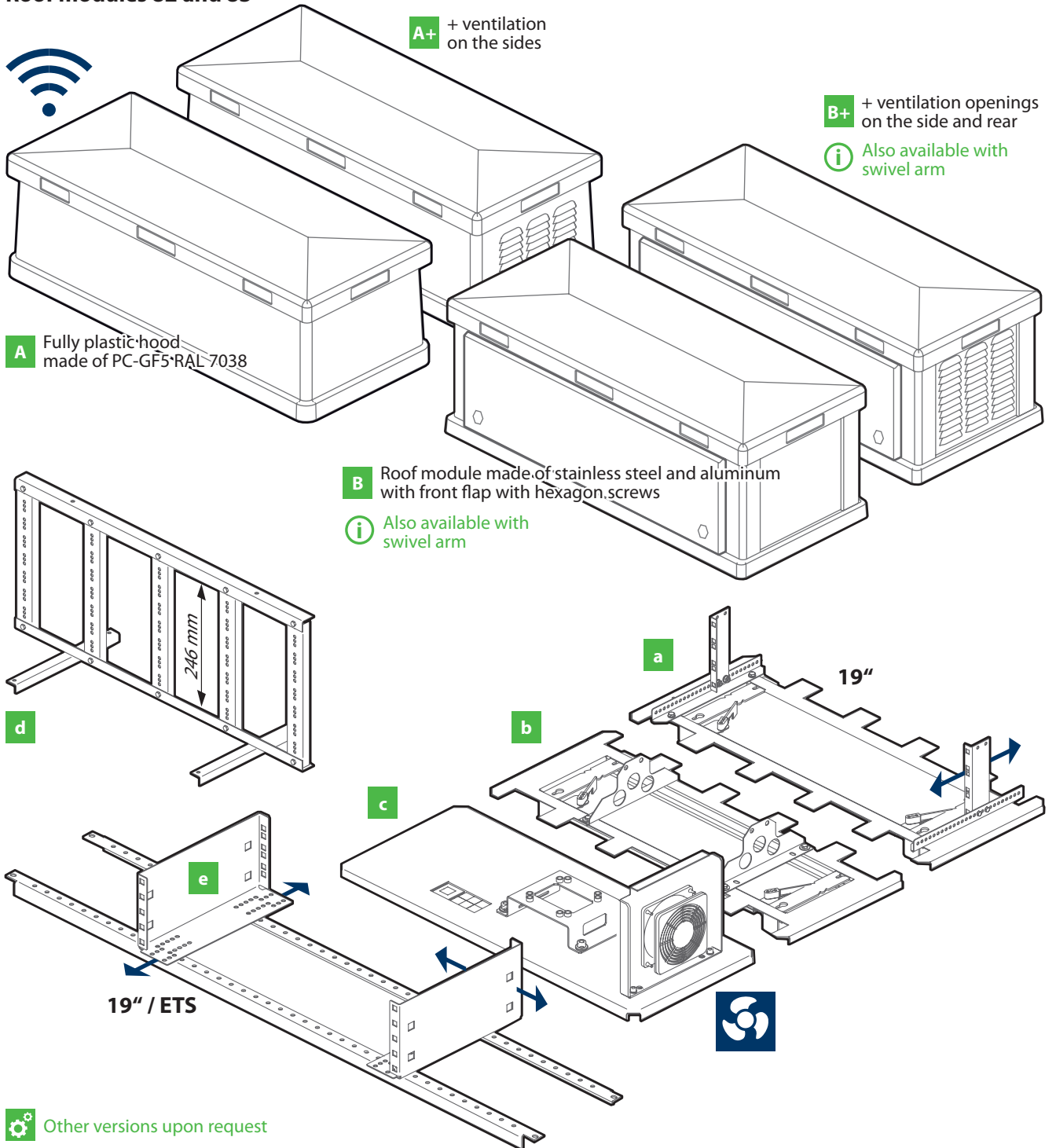
**Area divider (possible ex-works)**
**A** Bulkhead partition

**B** Partition with cover up to door partition


Type	For cabinet	Article number
<b>A</b>	UNI height 998 mm	<b>54.8135.01.01</b>
<b>B</b>	UNI 11, 15 height 998 mm	<b>54.8111.xx.xx</b>



# Extended access, area divider, roof modules 82/83

## Roof modules 82 and 83



Module	For cabinet	Equipment (rack)	Additional height in mm	Article number
<b>B</b>	82	<b>d</b> 4 bays (120 mm) for cable heads	+ 328	<b>59.2282.00.00</b>
<b>A</b>	82	<b>a</b> 19" rack (3 HU) □ 8.3 x 8.3 mm	+ 193	<b>59.2438.00.00</b>
<b>A</b>	83	<b>a</b> 19" rack (2 HU) or ETS rack (4 SU) □ 8.3 x 8.3 mm	+ 202	<b>59.2439.00.00</b>
<b>B+</b>	83	<b>e</b> 19" rack (2 HU) or ETS rack (4 SU) □ 8.3 x 8.3 mm	+ 125	<b>59.2159.00.00</b>
<b>A</b>	82	<b>b</b> For WLAN module Cisco Aironet/Ruckus Access Point	+ 193	<b>59.2452.00.00</b>
<b>A</b>	83	<b>b</b> For WLAN module Cisco Aironet/Ruckus Access Point	+ 202	<b>59.2453.00.00</b>
<b>A+</b>	82	<b>c</b> For Mini DSLAM, with base plate and fan	+ 193	<b>59.2454.00.00</b>

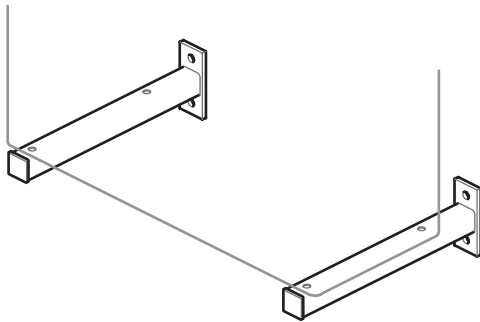
## Wall and pole bracket UNI/82

### ■ With mounting material for cabinet

 Hot-dip  
galvanized  
Steel

 Stainless  
Steel

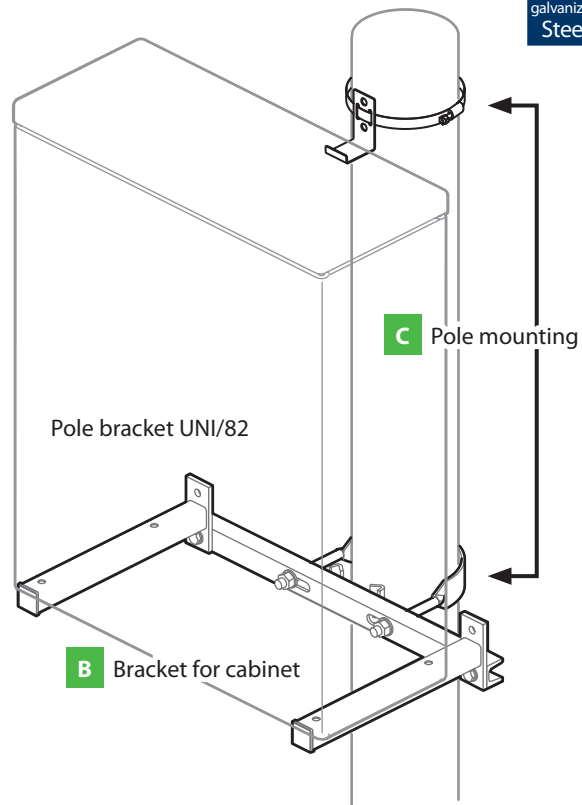
#### A Wall bracket UNI/82



Wall bracket for cabinet	Article number
A UNI depth 310 mm (82)	50.0116.00.00
UNI depth 400 mm	50.0117.00.00

Pole bracket for cabinet	Article number
B UNI 4 depth 310 mm	50.0122.00.00
UNI 4 depth 400 mm	50.0123.00.00
UNI 6 depth 310 mm	50.2122.00.00
UNI 6 depth 400 mm	50.2123.00.00
UNI 8 depth 310 mm (82)	50.4122.00.00
UNI 8 depth 400 mm	50.4123.00.00

Pole mounting for pole Ø	Article number
C 130 mm	50.0118.00.00
170 mm	50.0119.00.00
200 mm	50.0120.00.00
130...200 mm	50.0121.00.00

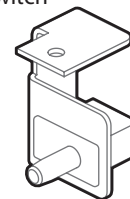


## Door contact

- Complete with mounting material for upper bar of cabinet body

Installation dimensions for switch  
W x H: 13.8 x 28.5 mm

Stainless  
Steel



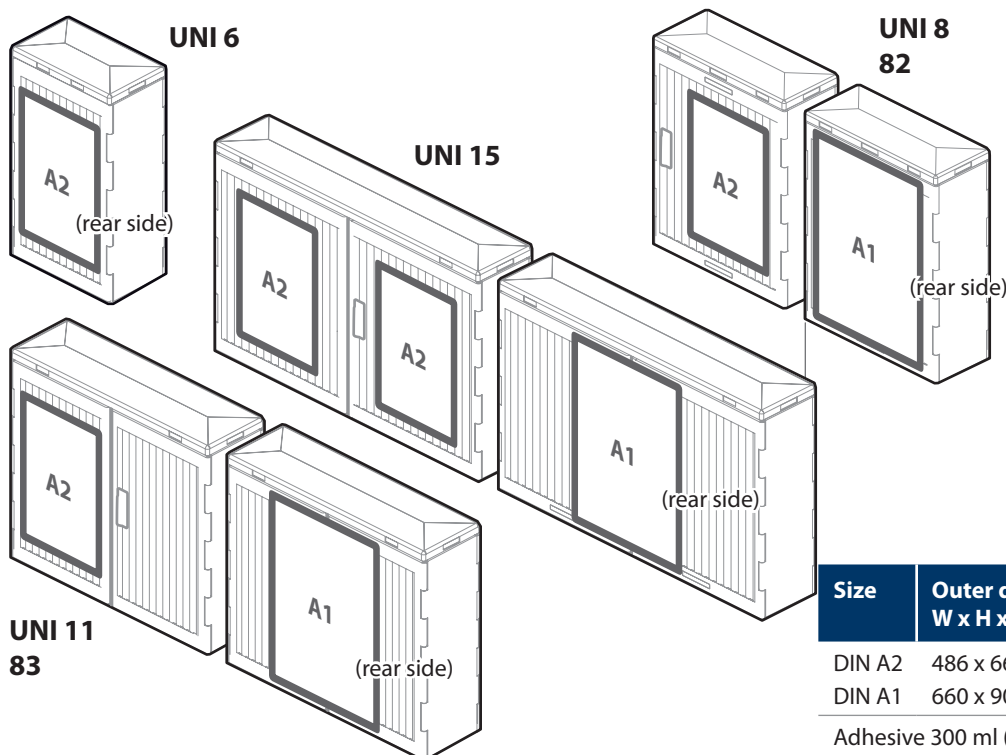
Type	Set with	Switching capacity	Article number
Door contact complete	Bracket, switch Cherry E69-00A, 3x control line and mounting material	10 A / 250 V AC	50.0002.20.00

## Hinged frame

- Weather proof hinged frame with UV-stabilised anti-reflex film and waterproof inner pocket



Al

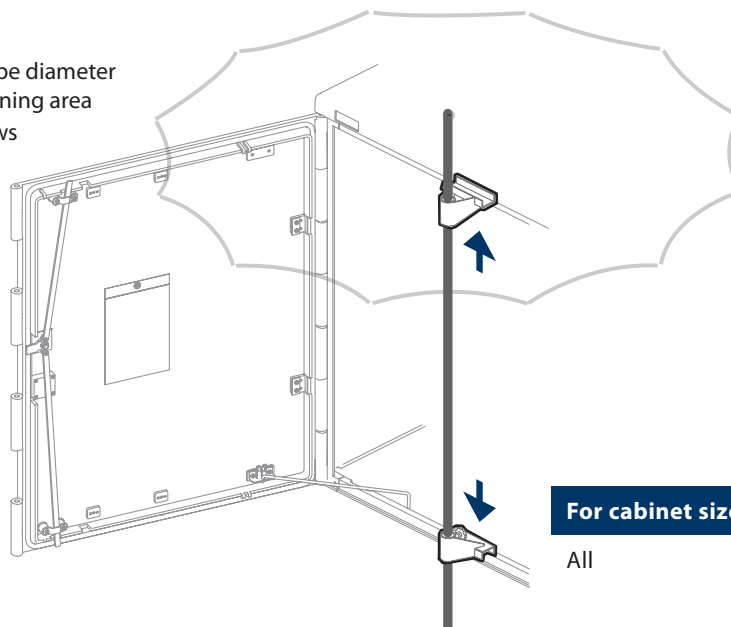
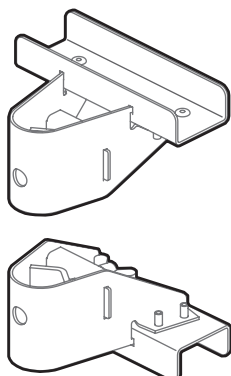


Size	Outer dimensions W x H x D in mm	Article number
DIN A2	486 x 660 x 12.6	59.0631.01.02
DIN A1	660 x 907 x 12.6	59.0631.01.01
Adhesive 300 ml (grey)		59.0631.26.03

## Umbrella holder

- Attaching umbrellas (circular pipe diameter max. 45 mm) in the cabinet opening area
- Securely held with locking screws
- Complete set (2 brackets)

Hot-dip  
galvanized  
Steel

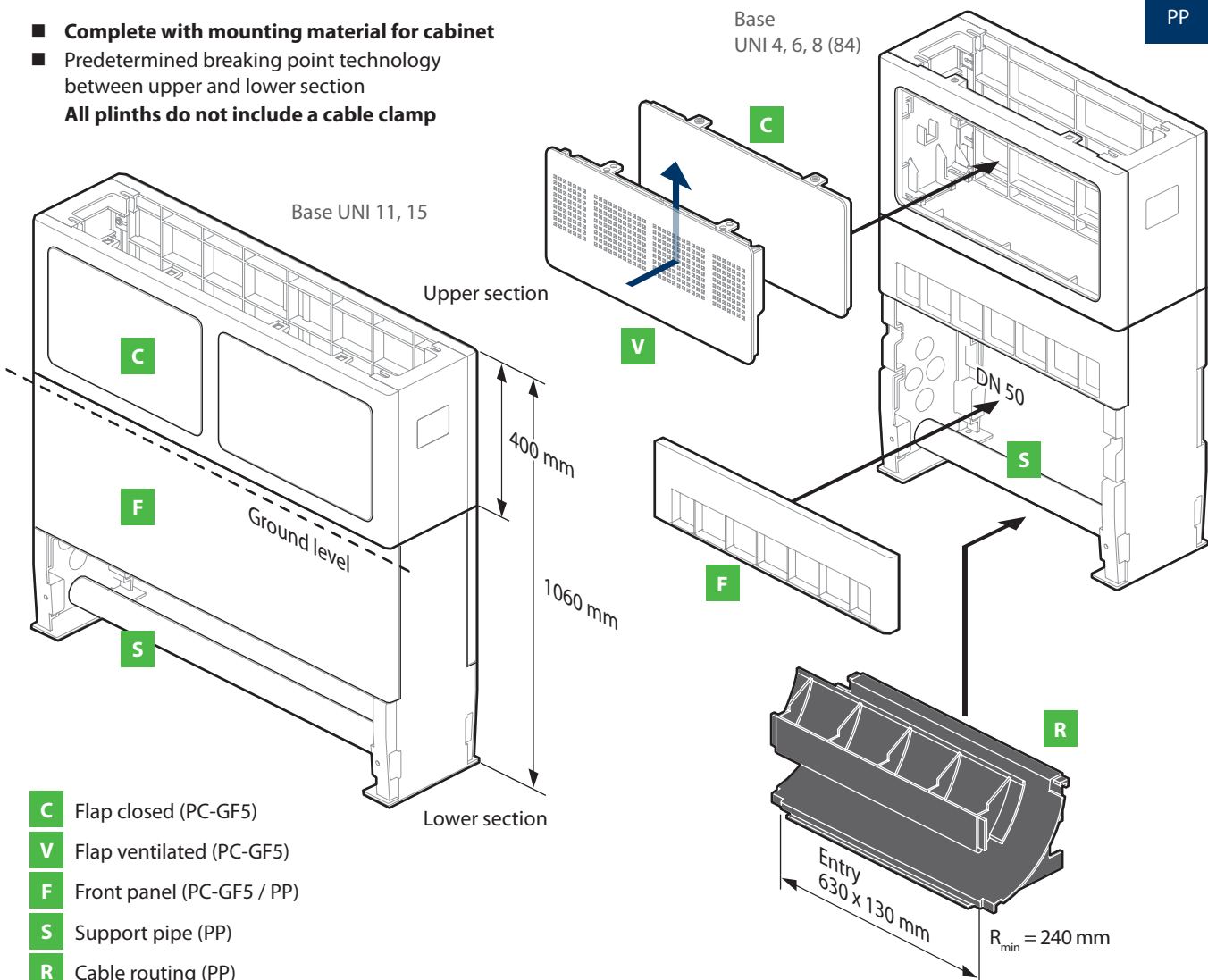


For cabinet size	Article number
All	59.2072.00.00

## Plinth UNI (84)

 PCGF5  
 PP

- Complete with mounting material for cabinet
  - Predetermined breaking point technology between upper and lower section
- All plinths do not include a cable clamp**



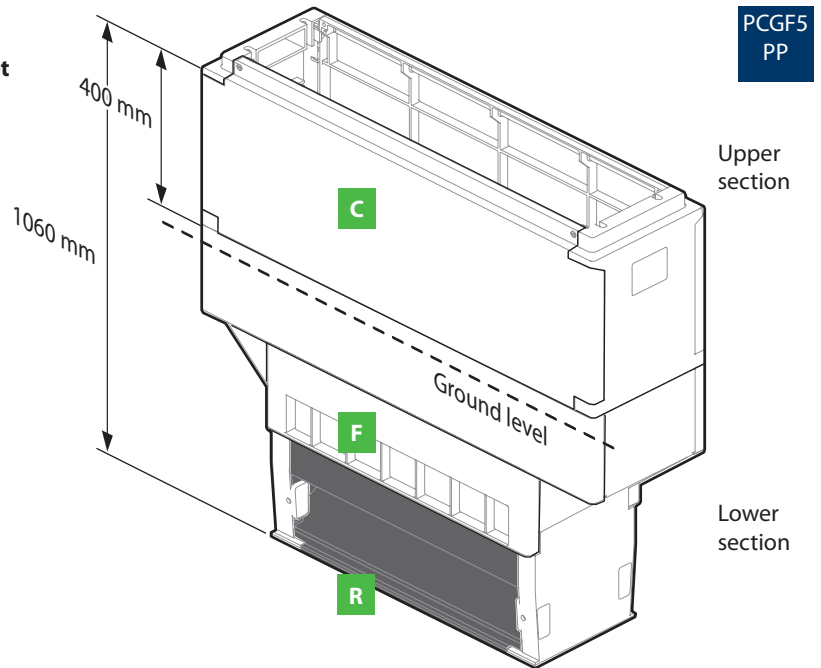
- C** Flap closed (PC-GF5)
- V** Flap ventilated (PC-GF5)
- F** Front panel (PC-GF5 / PP)
- S** Support pipe (PP)
- R** Cable routing (PP)

Base complete	Flap(s)		Front panel		Support pipe	Cable routing	Article number	
	C	V	F	2x PC				
UNI 4/310	•						55.0001.00.00	
UNI 4/400							55.0002.00.00	
UNI 6/310	•						55.2001.00.00	
UNI 6/400							55.2002.00.00	
84 (UNI 8/310)	•						59.2127.00.00	= 55.4001.00.00
	•						59.0304.00.00	
	•		•				59.0303.00.00	
	•		•				59.0301.00.00	Without flap
	•		•				59.2358.00.00	
UNI 8/400	•						59.2083.00.00	
	•	•					55.4002.00.00	
	•	•					59.2335.00.00	Flap front and rear
	•						59.2269.00.00	Flap front and rear
UNI 11/310	•						55.6041.00.00	
UNI 11/400							55.6042.00.00	
UNI 15/310	•						55.8041.00.00	
UNI 15/400							55.8042.00.00	

# Plinth standard versions

## Plinth 83

- Complete with mounting material for cabinet
  - Predetermined breaking point technology between upper and lower section
  - DIN size 2 (DIN 43629)
- Base do not include a cable clamp**



- C** Flap closed (PC-GF5)
- V** Flap ventilated (PC-GF5)
- F** Front panel (PC-GF5 / PP)
- S** Support pipe (PP)
- R** Cable routing (PP)

Base complete	Flap		Frontplatte		Support pipe	Cable routing	Article number	
	C	front + rear	F	2x PC				
83	•			•	–	•	<b>59.1965.00.00</b>	Standard
83	•			•	•	–	<b>59.1924.00.00</b>	
83/UNI	•			•	•	–	<b>59.2424.00.00</b>	Lower section UNI 11/310

## Upper section with flap

Upper section	Flap(s)		Article number
	C	V	
UNI 4/310			<b>55.0001.01.00</b>
UNI 4/400			<b>55.0002.01.00</b>
UNI 6/310			<b>55.2001.01.00</b>
UNI 6/400			<b>55.2002.01.00</b>
UNI 8/310 (84)			<b>55.4001.01.00</b>
84 (UNI 8/310)			<b>59.0301.17.00</b>
UNI 8/400	•		<b>55.4002.01.00</b>
		•	<b>55.4004.01.00</b>
UNI 11/310			<b>55.6041.01.00</b>
UNI 11/400			<b>55.6042.01.00</b>
UNI 15/310			<b>55.8041.01.00</b>
UNI 15/400			<b>55.8042.01.00</b>
83			<b>59.1965.01.00</b>

## Flap

For plinth	Flap (1x)		Article number
	C	V	
UNI 4	•		<b>55.0001.02.00</b>
UNI 6, 11	•		<b>55.2001.02.00</b>
84 (UNI 8), UNI 15	•		<b>59.0271.00.00</b>
		•	<b>59.0321.00.00</b>
83	•		<b>59.0331.01.00</b>
		•	<b>59.0331.06.00</b>

## Front panel

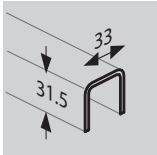
For plinth	Front panel		Article number	
	F	PC		F
UNI 4				<b>55.0001.00.03</b>
UNI 6	•	(200 mm)		<b>55.2001.00.03</b>
84 (UNI 8), 83				<b>59.0301.10.05</b>
84 (UNI 8), 83			•	<b>59.0301.10.06</b>
UNI 11				<b>55.6041.01.01</b>
UNI 15	•	(400 mm)		<b>55.8041.01.01</b>
83	•	(200 mm)		<b>59.0331.00.03</b>

See also accessories and spare parts for plinth

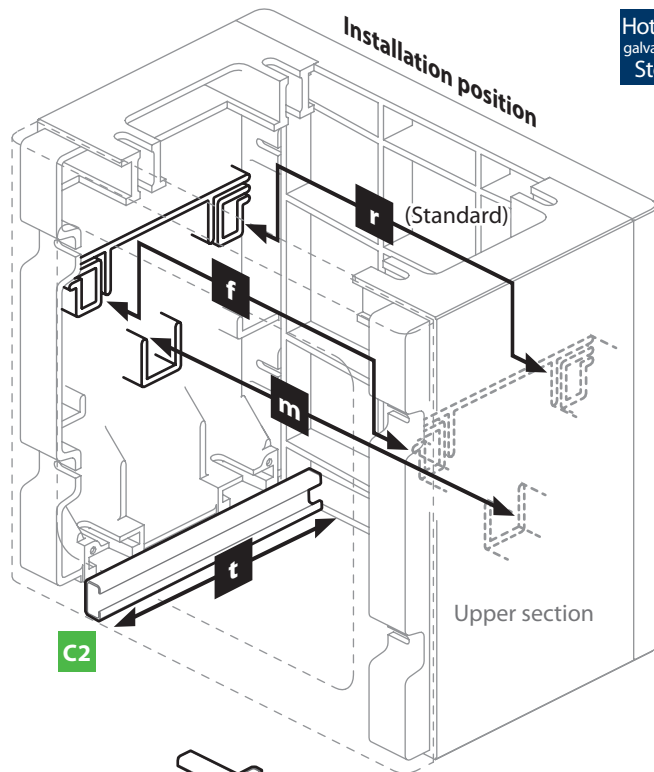
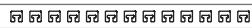
## Cable clamp in upper section of plinth

 Hot-dip  
galvanized  
Steel

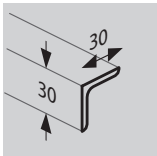
### U U rail


 Position: **m**

For plinth	Article number
UNI 4	55.0001.01.03
UNI 4	55.0001.01.05
UNI 6	55.2001.01.03
84 (UNI 8)	59.0306.00.02
UNI 11	55.6041.01.05
UNI 15	55.8041.01.05

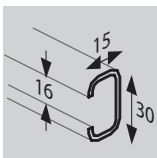


### L L rail

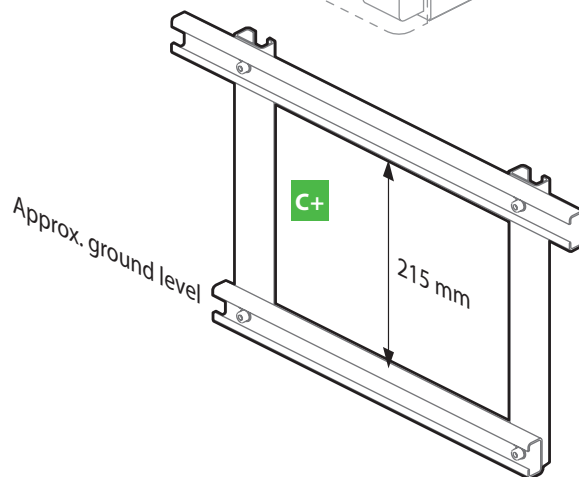

 Position: **h**, **v**

For plinth	Article number
UNI 4	59.2121.01.01
UNI 6	55.2001.00.06
84 (UNI 8)	59.0301.10.12
UNI 11	55.6001.00.06
UNI 15	55.8001.00.06
83	59.2046.00.01

### C C rail


 Position: **h**, **v**

For plinth	Article number
UNI 4	55.0001.01.04
UNI 6	55.2001.01.04
84 (UNI 8)	59.0301.10.13
UNI 11	55.6041.01.04
UNI 15	55.8041.01.04
83	59.2046.00.01



### C+

 Position: **h**, **v**

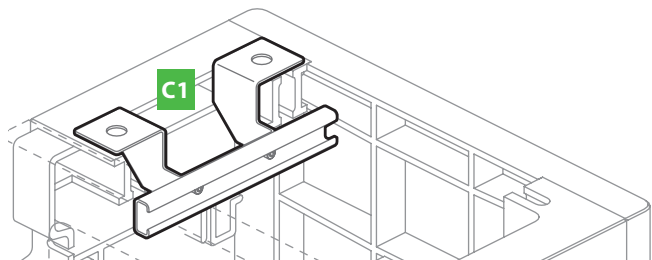
For plinth	Article number
UNI 4	55.0013.01.00
84 (UNI 8)	55.4013.01.00

 Complete  
Complete

### C2

 Position: **t**

For plinth	Article number
UNI x/310 (84)	55.0001.05.00
UNI x/400	55.0003.05.00



## Base UNI (84) with cable clamp (pre-assembled)

PCGF5  
PP

 See plinth standard versions

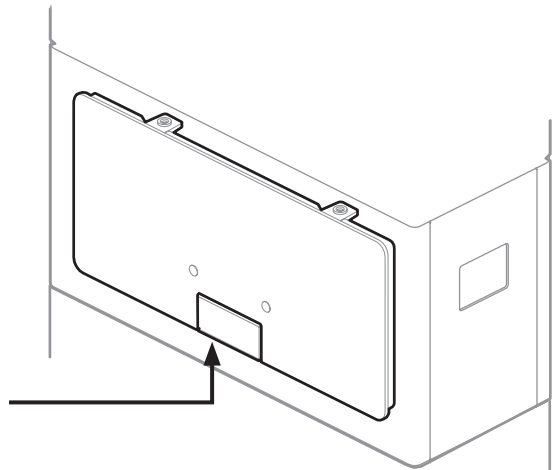
	Base complete with 1x cable clamp type	Flap(s)		Front panel		Support pipe	Cable routing	Article number		
		C	V	F	2x PC	F	2x PP			S
<b>U</b>	UNI 4/310	•		•			•	–	<b>55.0010.00.00</b>	Rail upgradable without disassembling the plinth
	84 (UNI 8/310)	•	•	•	–	–	•	–	<b>59.0312.00.00</b>	
		•		•	–	–	•	–	<b>59.2100.00.00</b>	
		•		•	–	–	•	–	<b>59.2219.00.00</b>	
<b>L</b>	UNI 4/310	•		•	–	–	•	–	<b>55.0224.00.00</b>	
	UNI 4/400	•		•	–	–	•	–	<b>55.0011.00.00</b>	
	84 (UNI 8/310)	•		•	–	–	•	–	<b>59.2083.00.00</b>	
		•		•	•	–	•	–	<b>59.2056.00.00</b>	
		•		•	•	–	•	–	<b>59.2322.00.00</b>	
	UNI 8/400	•		•	–	–	•	–	<b>59.2116.00.00</b>	
	UNI 11/400	•		•	–	–	•	–	<b>55.6043.00.00</b>	
	UNI 15/400	•		•	–	–	•	–	<b>55.8043.00.00</b>	
	83	•		–	•	–	•	–	<b>59.2046.00.00</b>	
<b>C</b>	UNI 6/310	•		•	–	–	•	–	<b>55.2012.00.00</b>	
	UNI 8/400	•		•	–	–	•	–	<b>55.4006.00.00</b>	
	UNI 15/400	•		•	–	–	•	–	<b>55.8044.00.00</b>	
	83	•		–	•	–	•	–	<b>59.2107.00.00</b>	
<b>C+</b>	UNI 4/310	•		•	–	–	•	–	<b>55.0013.00.00</b>	
	84 (UNI 8/310)	•		•	–	–	•	–	<b>59.2526.00.00</b>	
	UNI 8/400	•		•	–	–	•	–	<b>55.4013.00.00</b>	
<b>C1</b>									<b>54.0232.02.00</b>	Cable clamp for UNI x/400 (one side) without plinth

 See also accessories and spare parts for plinth

## Flap with opening

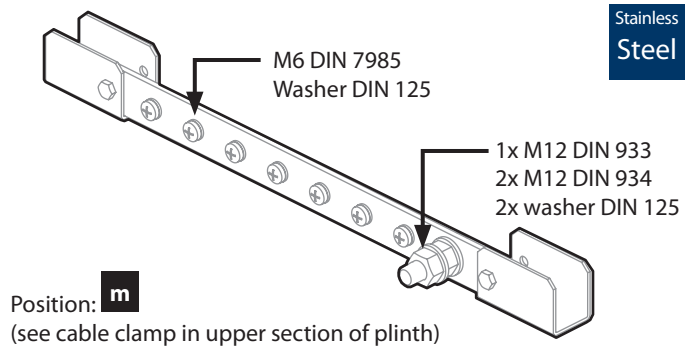
Flap	For plinth	Article number
Flap with opening	UNI 8, 15, 84	59.0274.00.00

Opening W x H:  
130 x 50 mm



## Earth rail in the upper plinth section

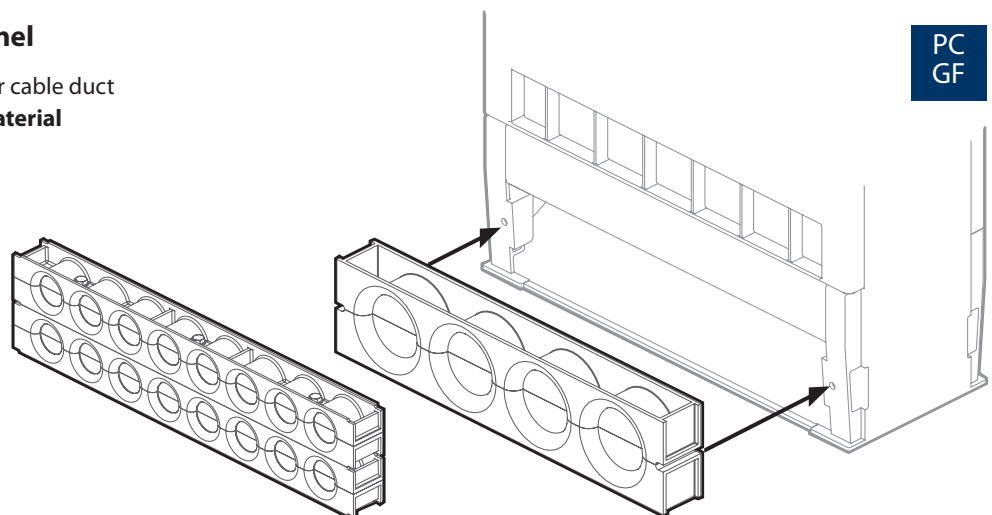
For plinth	Connections	Article number
UNI 4	7x M6, 1x M12	<b>55.0001.03.00</b>
UNI 6	12x M6, 1x M12	<b>55.2001.04.00</b>
UNI 8 (84)	15x M6, 1x M12	<b>59.2301.01.00</b>
UNI 11	15x M6, 1x M12	<b>55.6001.02.00</b>
UNI 15	(upon request)	



**i** See also earthing rail 85

## Cable duct connection panel

- Two-part connection panel for cable duct
- Complete with mounting material

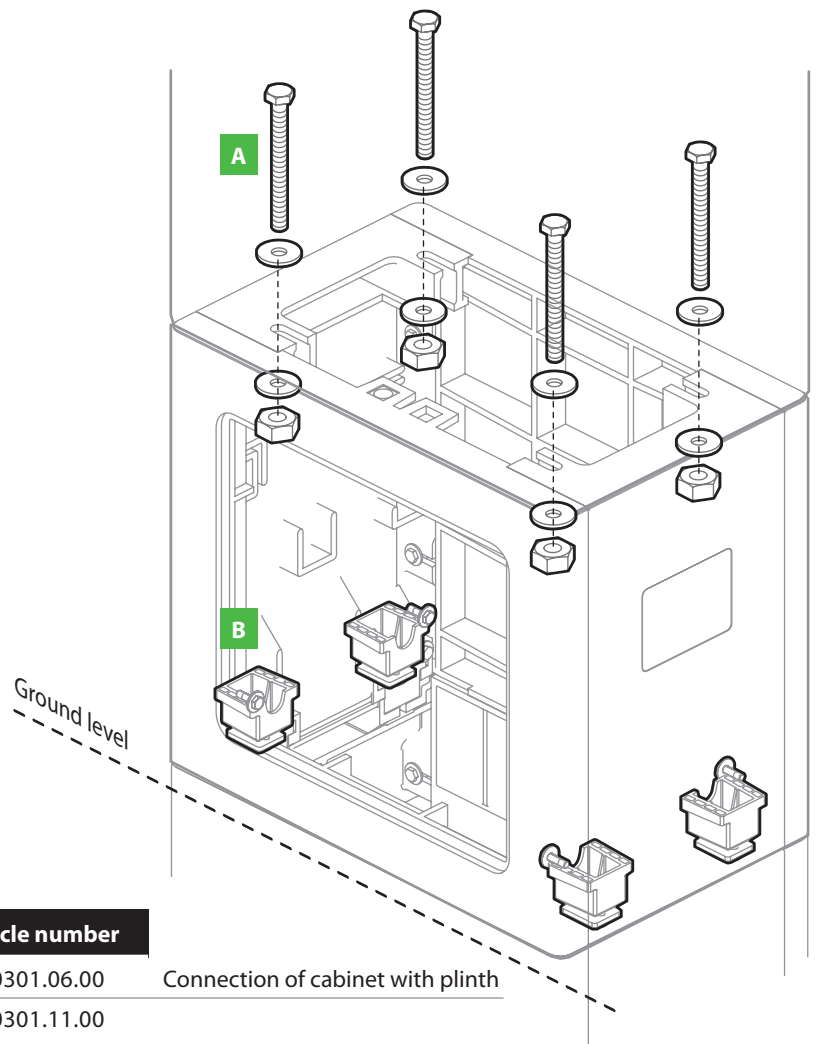
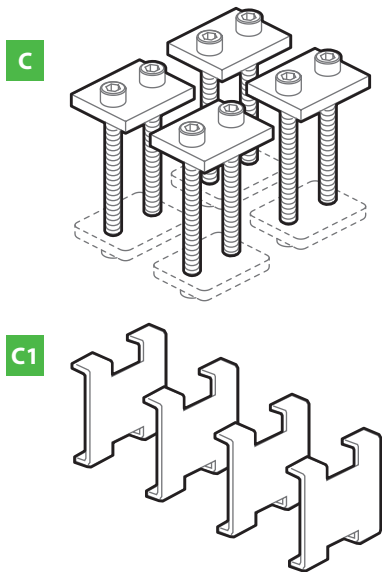


Size	For plinth	Piece	For pipes ø in mm	Number of entries	Article number
<b>A</b> DN50	UNI 4	1		10	<b>55.0004.00.00</b>
	UNI 8, 84, 83	1	48...50	16	<b>59.0291.00.00</b>
		10		<b>59.1915.00.00</b>	
<b>B</b> DN110	UNI 4	1		2	<b>55.0006.00.00</b>
	UNI 8, 84, 83	1	102...113	4	<b>59.0251.00.00</b>
		10		<b>59.1916.00.00</b>	



# Accessories and spare parts for plinth

## Connection set

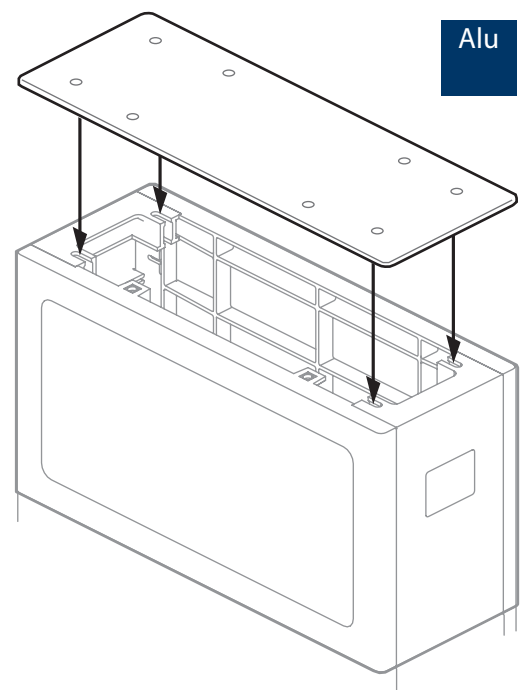


Connection set	For plinth	Article number	
<b>A</b> Kit for plinth	UNI, 84, 83	59.0301.06.00	Connection of cabinet with plinth
<b>B</b> Predetermined breaking element	UNI, 84, 83	59.0301.11.00	
<b>C</b> Connecting element	UNI, 84, 83	59.0301.18.00	For overruling the
<b>C1</b> Connecting element LIC	84 Langmatz	59.0301.19.00	predetermined breaking function

## Top cover panel

- Cover for open upper plinth sections (e.g. during the construction phase)
- **Complete with mounting material**

For plinth	Article number
UNI 4/310	<b>55.0008.00.00</b>
UNI 4/400	<b>55.0009.00.00</b>
UNI 6/310	<b>55.2009.00.00</b>
UNI 6/400	<b>55.2010.00.00</b>
84, UNI 8/310	<b>55.4010.00.00</b>
UNI 8/400	<b>55.4011.00.00</b>
UNI 11/310	<b>55.6009.00.00</b>
UNI 11/400	<b>55.6010.00.00</b>
UNI 15/310	<b>55.8009.00.00</b>
UNI 15/400	<b>55.8010.00.00</b>

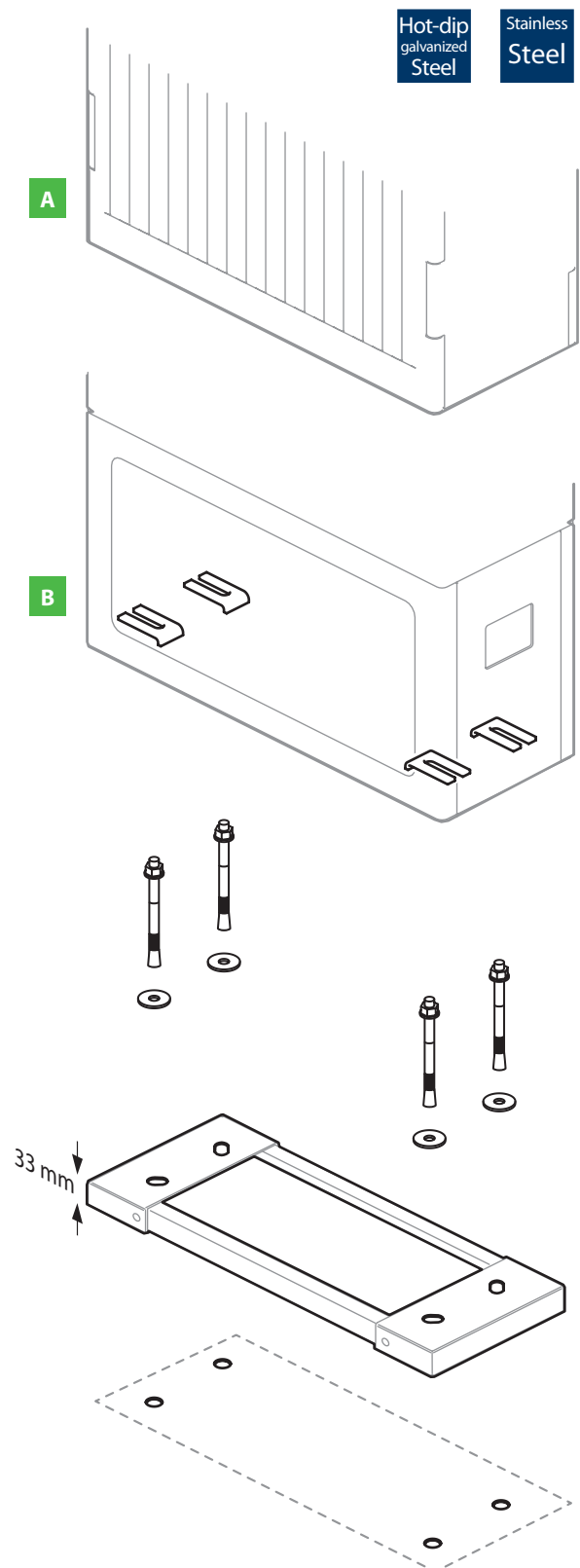


## Mounting frame

- Mounting the upper plinth section or cabinet on foundation or concrete base (without predetermined breaking function)
- **With mounting set**  
(4x claw with anchor bolts M12)

A For cabinet	Article number	
	Hot-dip galvanized	Stainless steel
UNI 4 depth 310 mm	<b>55.0001.07.00</b>	<b>55.0001.09.00</b>
UNI 4 depth 400 mm	<b>55.0002.07.00</b>	<b>55.0002.09.00</b>
UNI 6 depth 310 mm	<b>55.2001.07.00</b>	<b>55.2001.09.00</b>
UNI 6 depth 400 mm	<b>55.2002.07.00</b>	<b>55.2002.09.00</b>
UNI 8 depth 310 mm, 82	<b>55.4001.07.00</b>	<b>55.4001.09.00</b>
UNI 8 depth 400 mm	<b>55.4002.07.00</b>	<b>55.4002.09.00</b>
UNI 11 depth 310 mm	<b>55.6041.07.00</b>	<b>55.6041.09.00</b>
UNI 11 depth 400 mm	<b>55.6042.07.00</b>	<b>55.6042.09.00</b>
UNI 15 depth 310 mm	<b>55.8041.07.00</b>	<b>55.8041.09.00</b>
UNI 15 depth 400 mm	<b>55.8042.07.00</b>	<b>55.8042.09.00</b>

B For upper plinth section	Article number	
	Hot-dip galvanized	Stainless steel
UNI 4/310	<b>55.0001.08.00</b>	<b>55.0001.10.00</b>
UNI 4/400	<b>55.0002.08.00</b>	<b>55.0002.10.00</b>
UNI 6/310	<b>55.2001.08.00</b>	<b>55.2001.10.00</b>
UNI 6/400	<b>55.2002.08.00</b>	<b>55.2002.10.00</b>
UNI 8/310, 84	<b>55.4001.08.00</b>	<b>55.4001.10.00</b>
UNI 8/400	<b>55.4002.08.00</b>	<b>55.4002.10.00</b>
UNI 11/310	<b>55.6041.08.00</b>	<b>55.6041.10.00</b>
UNI 11/400	<b>55.6042.08.00</b>	<b>55.6042.10.00</b>
UNI 15/310	<b>55.8041.08.00</b>	<b>55.8041.10.00</b>
UNI 15/400	<b>55.8042.08.00</b>	<b>55.8042.10.00</b>



- i** Mounting cabinet on upper plinth section on request
- i** Mounting upper plinth section on second upper section on request
- i** Mounting cabinet on cabinet on request

## Adapter SICHERT upper plinth section for QUANTE lower plinth section

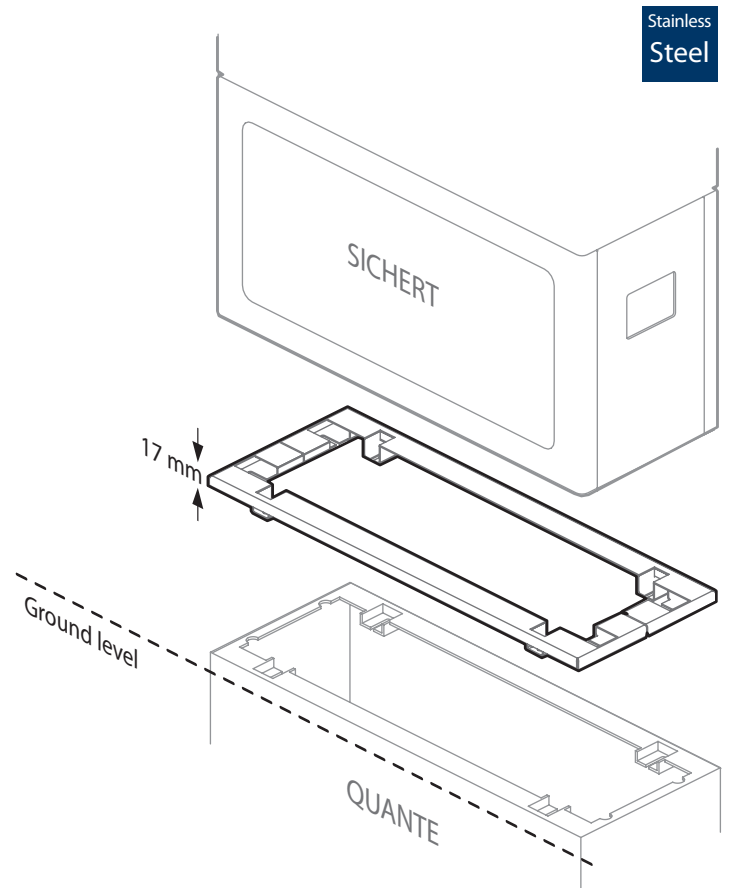
- Separated adapter frame for use for existing wiring
- **Complete with mounting material**

For upper plinth section

Article number

UNI 8/310, 84

59.2363.00.00



# UNI Cabinets

**4** Width: 442 mm

**6** Width: 594 mm

**8** Width: 754 mm

**11** Width: 1131 mm

**15** Width: 1511 mm

Depth: 310 mm    Depth: 400 mm

Height: 998 mm



UNI 4/998/310  
UNI 4/998/400

UNI 6/998/310  
UNI 6/998/400

UNI 8/998/310  
UNI 8/998/400

UNI 11/998/310  
UNI 11/998/400

UNI 15/998/310  
UNI 15/998/400

Height: 848 mm



UNI 4/848/310  
UNI 4/848/400

UNI 6/848/310  
UNI 6/848/400

UNI 8/848/310  
UNI 8/848/400

UNI 11/848/310  
UNI 11/848/400

UNI 15/848/310  
UNI 15/848/400

Height: 698 mm



UNI 4/698/310  
UNI 4/698/400

UNI 6/698/310  
UNI 6/698/400

UNI 8/698/310  
UNI 8/698/400

UNI 11/698/310  
UNI 11/698/400

UNI 15/698/310  
UNI 15/698/400

## Plinth

Height: 400 mm



Height: 660 mm

Depth: 284 mm    Depth: 374 mm



Berthold Sichert GmbH | Kitzingstrasse 1 - 5 | 12277 Berlin, Germany

Phone: +49 30 74707 0

Fax: +49 30 74707 20

E-mail: [Info@Sichert.com](mailto:Info@Sichert.com)

All of the information here is accurate and reliable to the best of our knowledge. However, we give no assurances with regard to its quality. It is the responsibility of the users of our products to decide whether the products are suitable for their intended application. Our product liability is based solely on our sales, delivery and payment conditions. We accept no responsibility under any circumstances for any incidental, indirect damages or resulting damages of any kind. Stand: 4. Juli 2018, 7:30 vorm.